

## Product Change Notice (PCN)

**Date:** 08/15/2024

**PCN Number:** PCN-0381047R-01

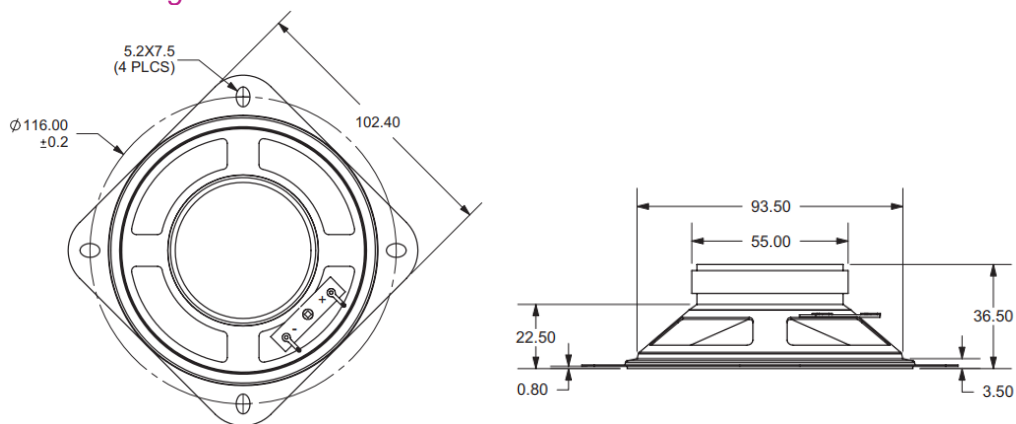
To Our Customers:

We appreciate your use of our products. Our commitment in maintaining and improving processes is demonstrated by plans to enhance our product quality, reliability, and manufacturability. The purpose of this notice is to inform you of a product change.

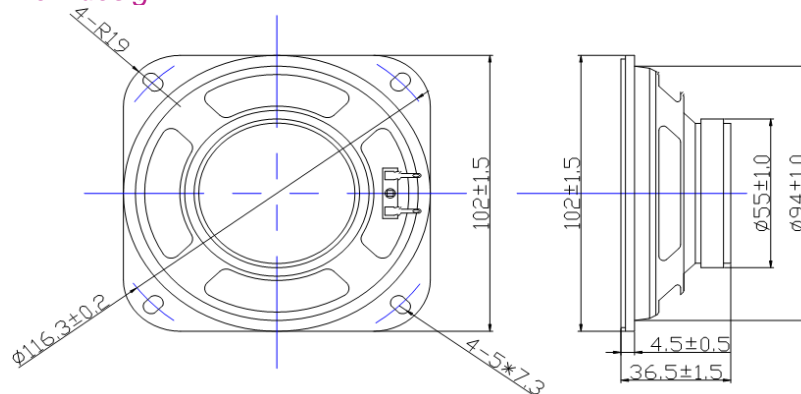
Product(s) Affected: *GF1004M*

Reason(s) for Change: *Molding update.*

Description of Change: *Frequency response decreased to 10,000Hz, buzz, rattle increased to 6.93V, operating temperature range -20~60°C, dimensional changes shown below:*  
*Current design:*



*New design:*



F-723-001

Revision: A



Affected Date Code: *All orders placed after August 1<sup>st</sup>, 2024.*

Product Availability: *All goods on orders placed after August 1<sup>st</sup>, 2024.*

PCN Approval:

Operations/Quality

A handwritten signature in black ink, appearing to read "Robert Davies", is written over a horizontal line.

Product Management

A handwritten signature in black ink, appearing to read "Maggie Moul", is written over a horizontal line.