

Product Change Notice (PCN)

Date: 10/23/2020

PCN Number: PCN-0381152R-01

To Our Customers:

We appreciate your use of CUI Devices products. Our commitment in maintaining and improving processes is demonstrated by plans to enhance our product quality, reliability and manufacturability. The purpose of this notice is to inform you of a product change.

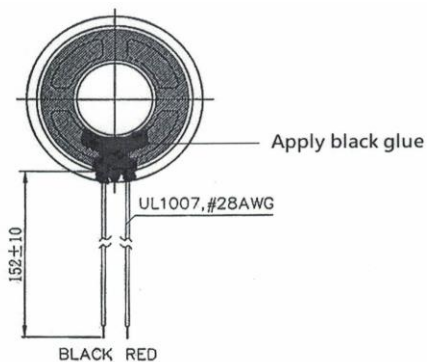
Product(s) Affected:

CLS0361-L152

Reason(s) for Change:

Glue addition to entire terminal will ensure protection of the wire and solder pad termination point, enhancing product quality

Description of Change:



Affected Date Code:

All future orders from 10/23/2020

Product Availability:

Immediate

Additional Information:

CUI DEVICES

PCN Approval:

Operations/Quality

Rae Adams

Product Marketing

Nick Wolfe

N Wolfe

10/22/2020
