

Product Change Notice (PCN)

Date: 11/12/2019

PCN Number: PCN-0384612R-02

To Our Customers:

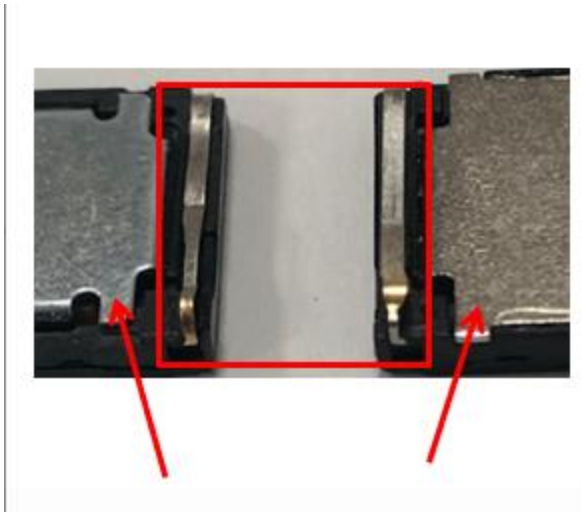
We appreciate your use of CUI Devices products. Our commitment in maintaining and improving processes is demonstrated by plans to enhance our product quality, reliability and manufacturability. The purpose of this notice is to inform you of a product change.

Product(s) Affected: CMS-18138A-SP

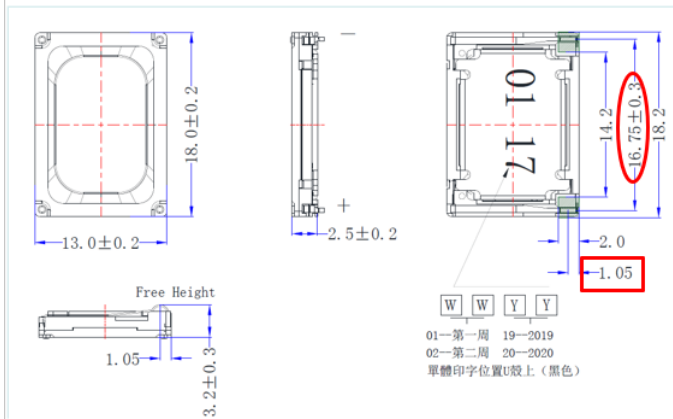
Reason(s) for Change: To enhance product quality and reliability.

Description of Change: Modified pins and metal cover as shown below.

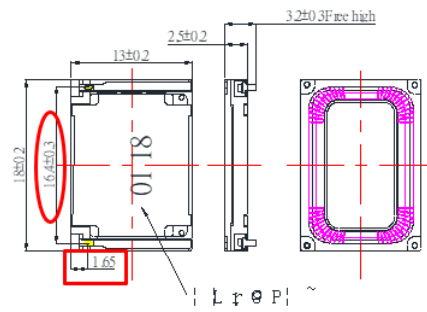




Old



New



Affected Date Code: 8 November 2019

Product Availability: Currently available.

Additional Information: None.

PCN Approval:

Operations/Quality

A handwritten signature in black ink, appearing to read "Robert A. ...", positioned above a horizontal line.

Product Marketing

A handwritten signature in black ink, appearing to read "...", positioned above a horizontal line.