

## Product Change Notice (PCN)

**Date:** 04/09/2020

**PCN Number:** PCN-0450358R-01

**To Our Customers:**

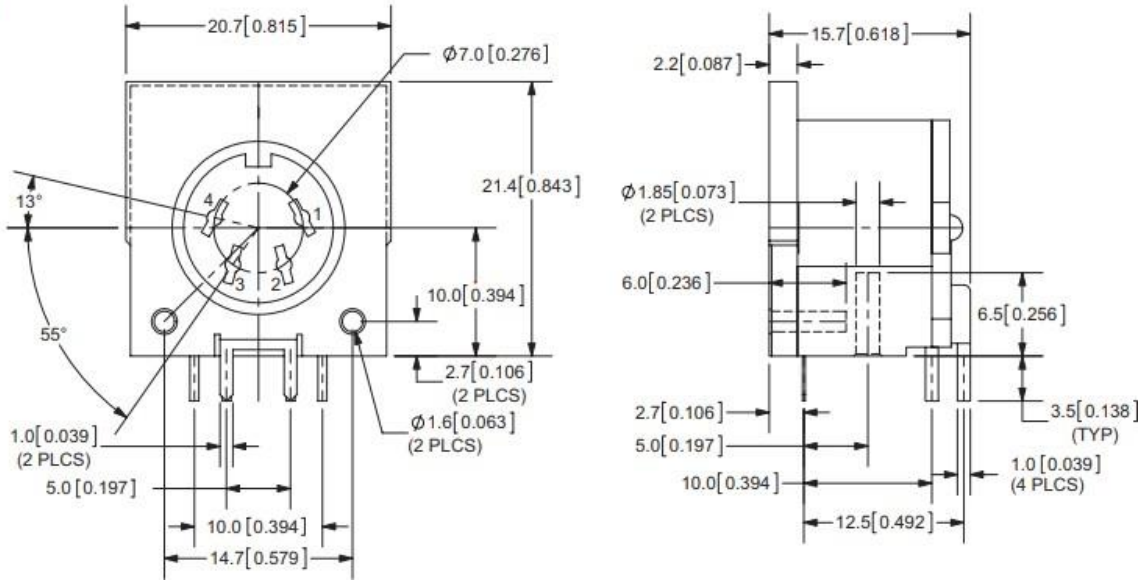
We appreciate your use of CUI Devices products. Our commitment in maintaining and improving processes is demonstrated by plans to enhance our product quality, reliability and manufacturability. The purpose of this notice is to inform you of a product change.

**Product(s) Affected:** SDF-J Series (SDF-40J, SDF-50J, SDF-60J, SDF-80J, SDF-130J)

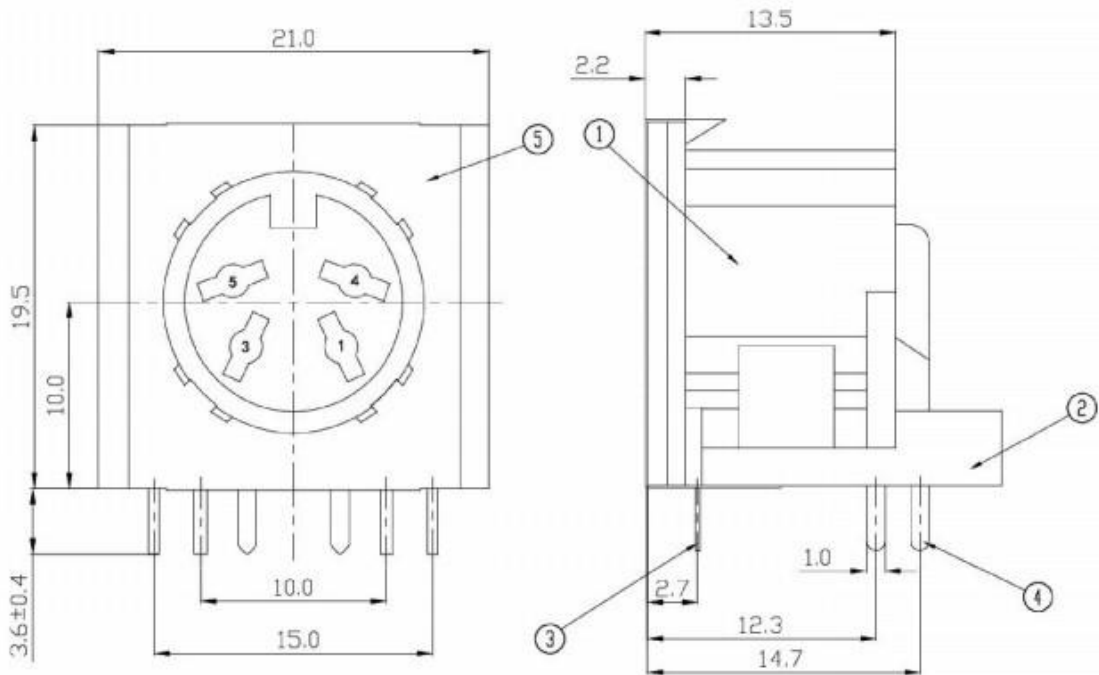
**Reason(s) for Change:** Manufacturing build location change.

**Description of Change:** Dimensional and mechanical changes as shown below. Materials changes as shown below. Note that PCB layouts have been adjusted to match the new mechanical changes.

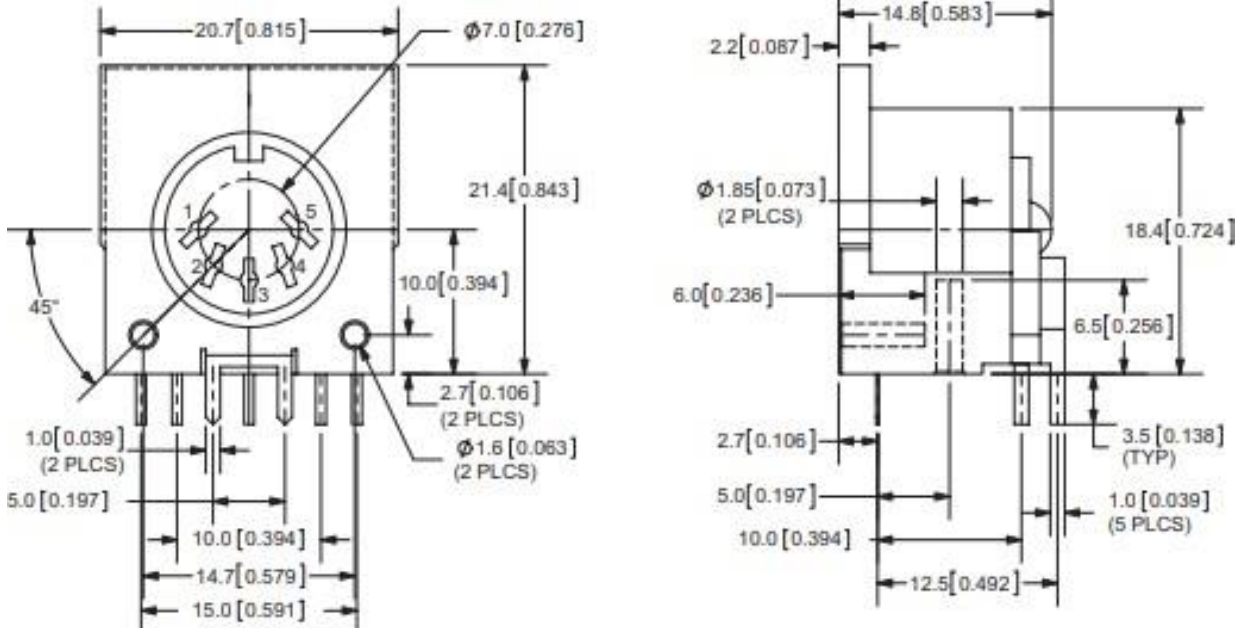
### Old Design SDF-40J



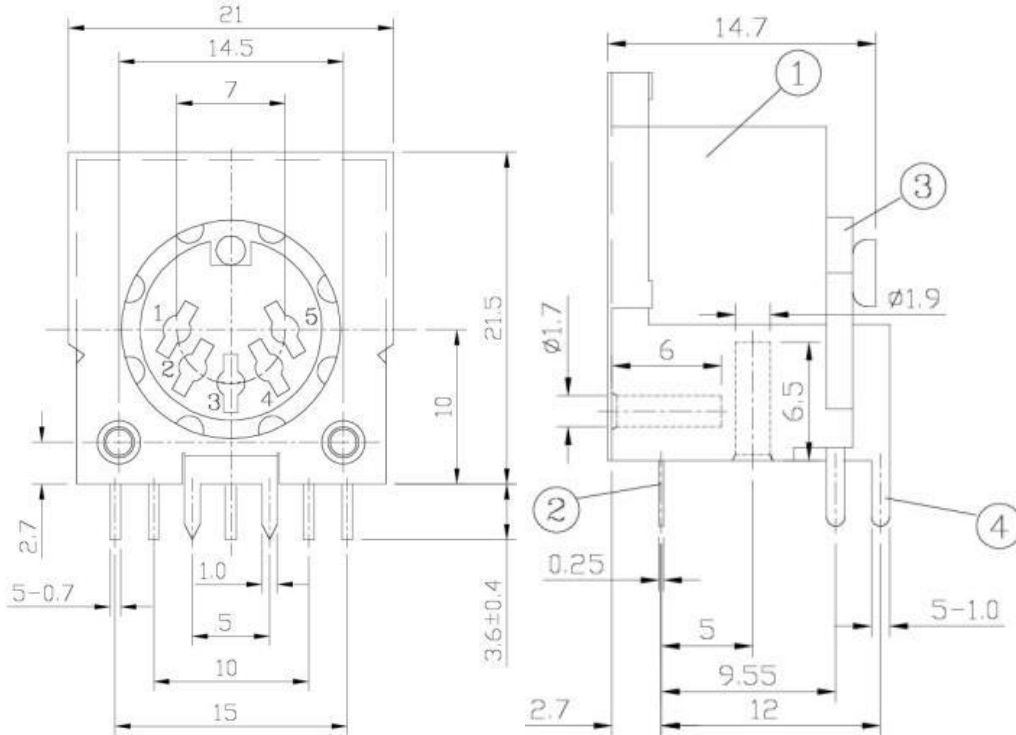
### New Design SDF-40J



### Old Design SDF-50J

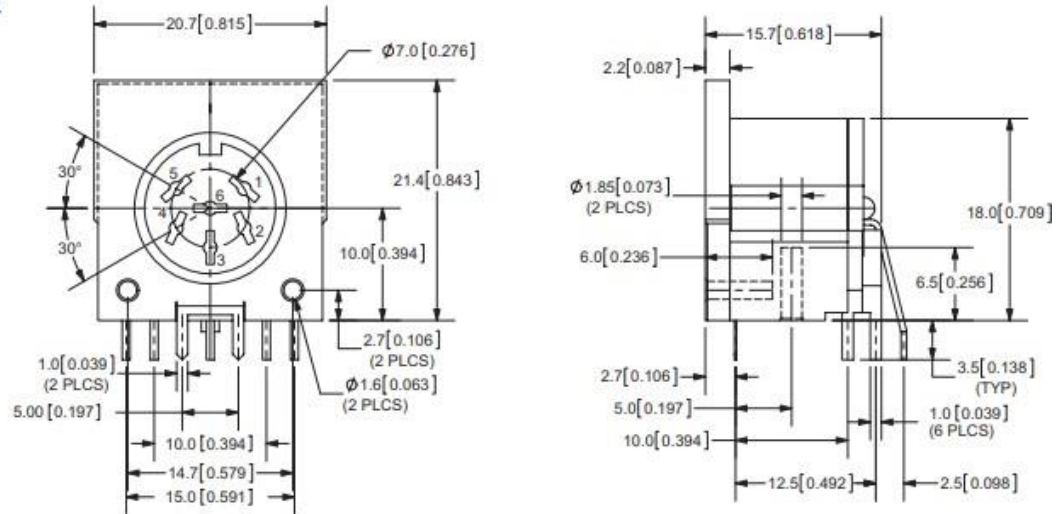


### New Design SDF-50J

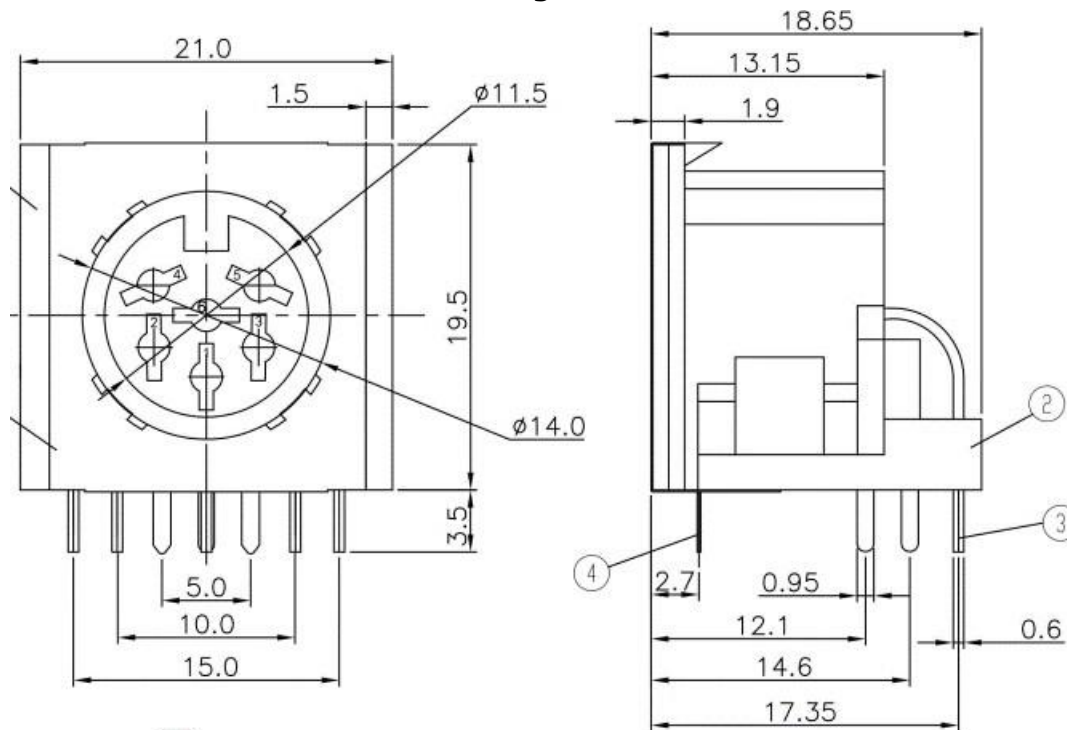


## Old Design SDF-60J

### SDF-60J

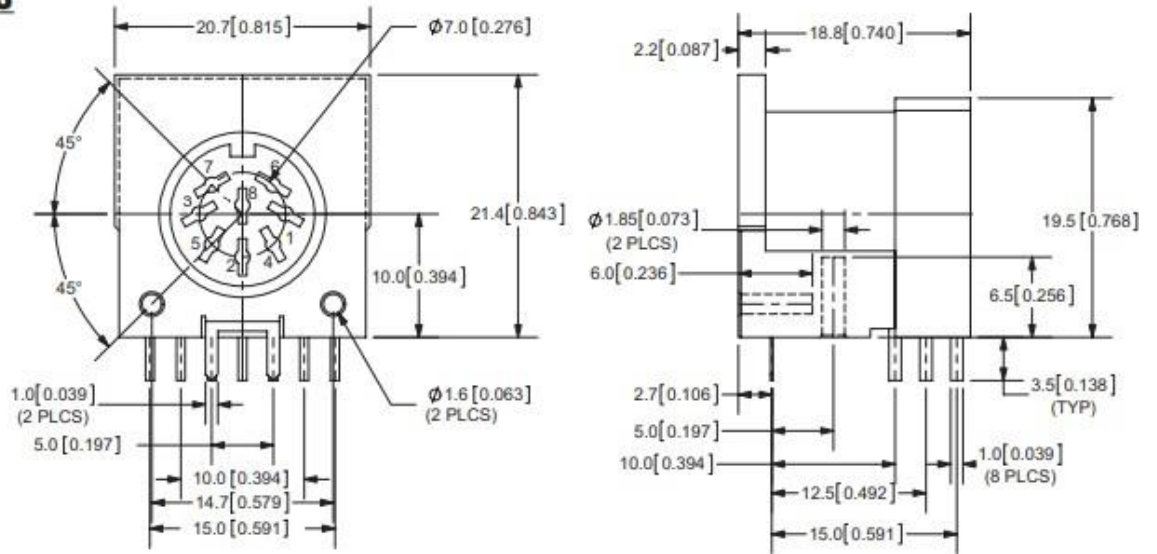


## New Design SDF-60J

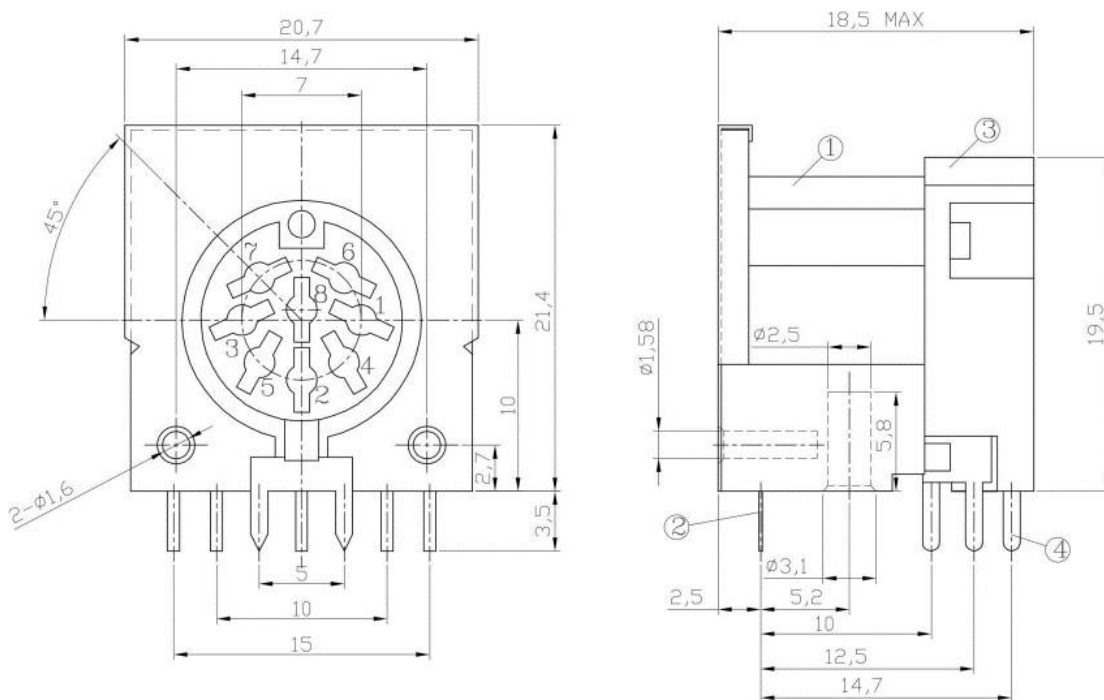


## Old Design SDF-80J

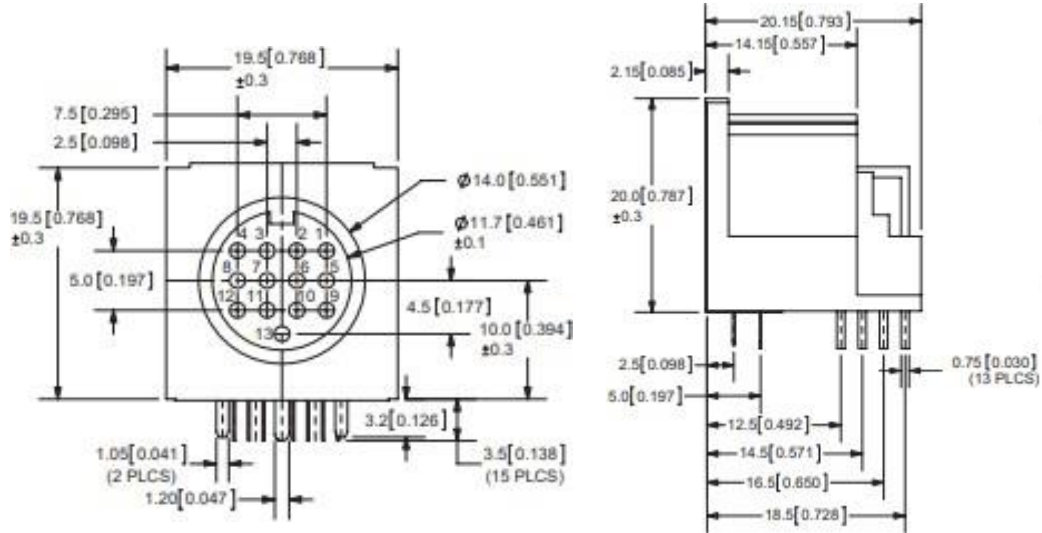
### SDF-80J



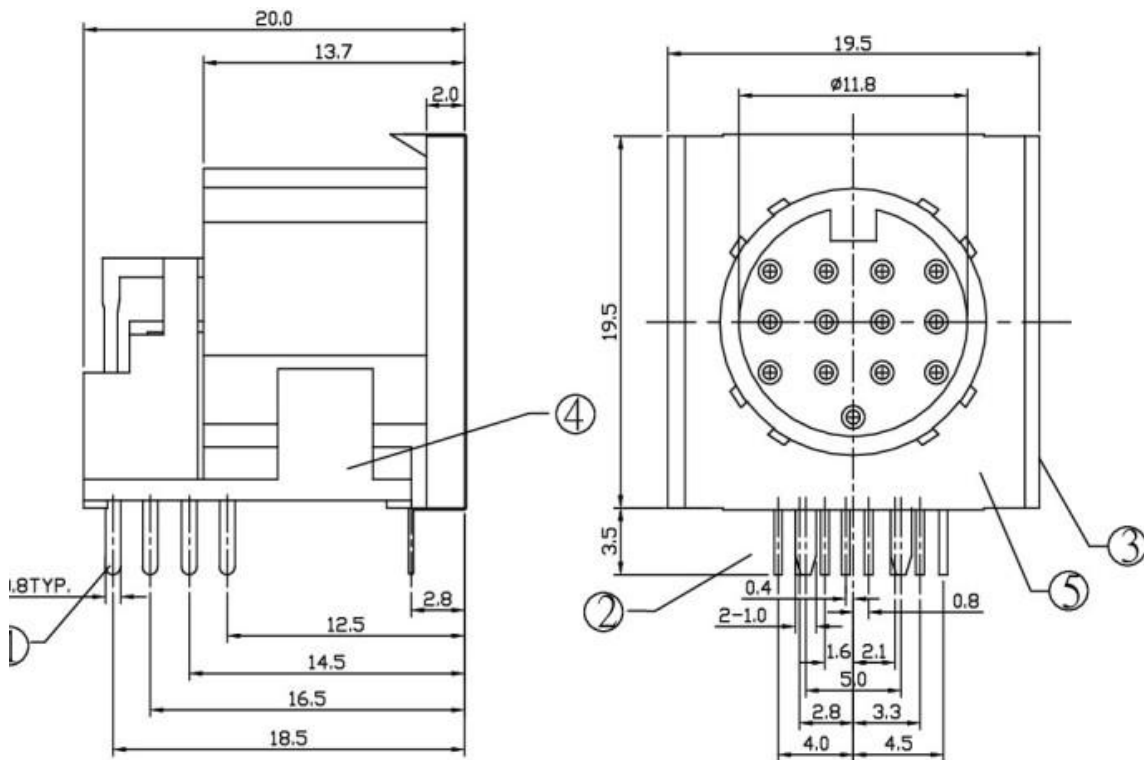
## New Design SDF-80J

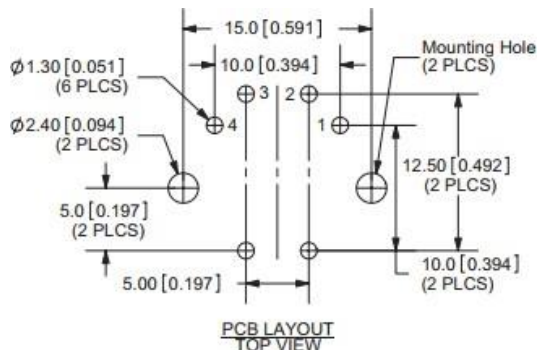
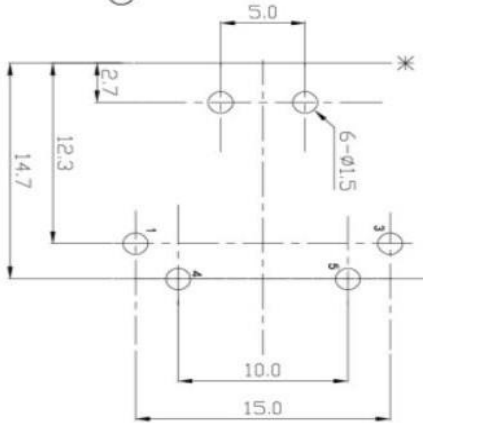
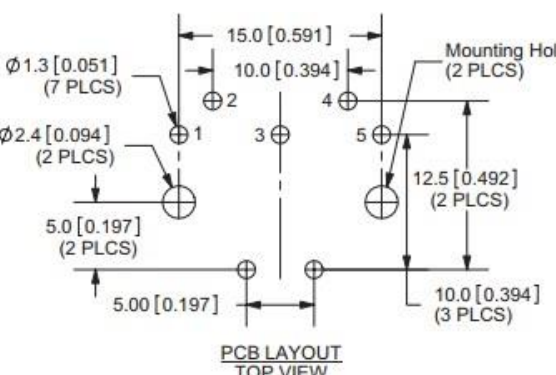
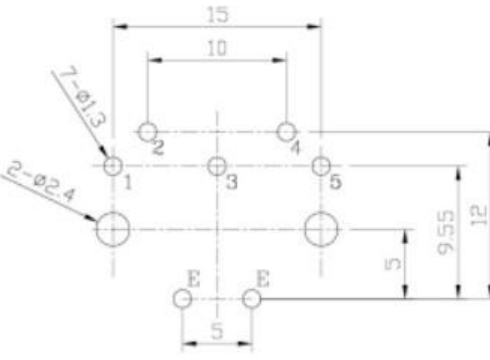
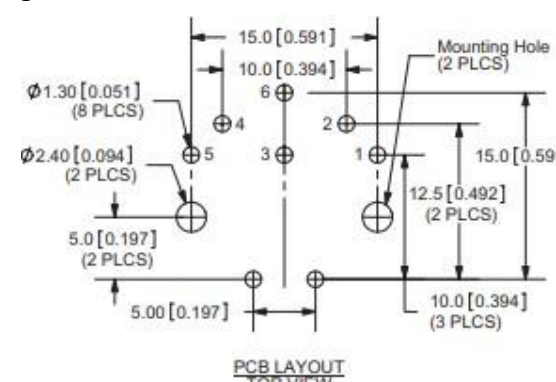
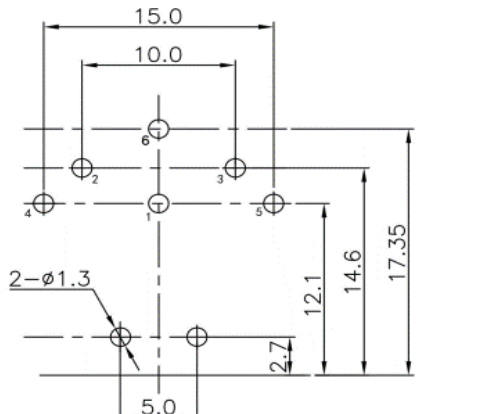


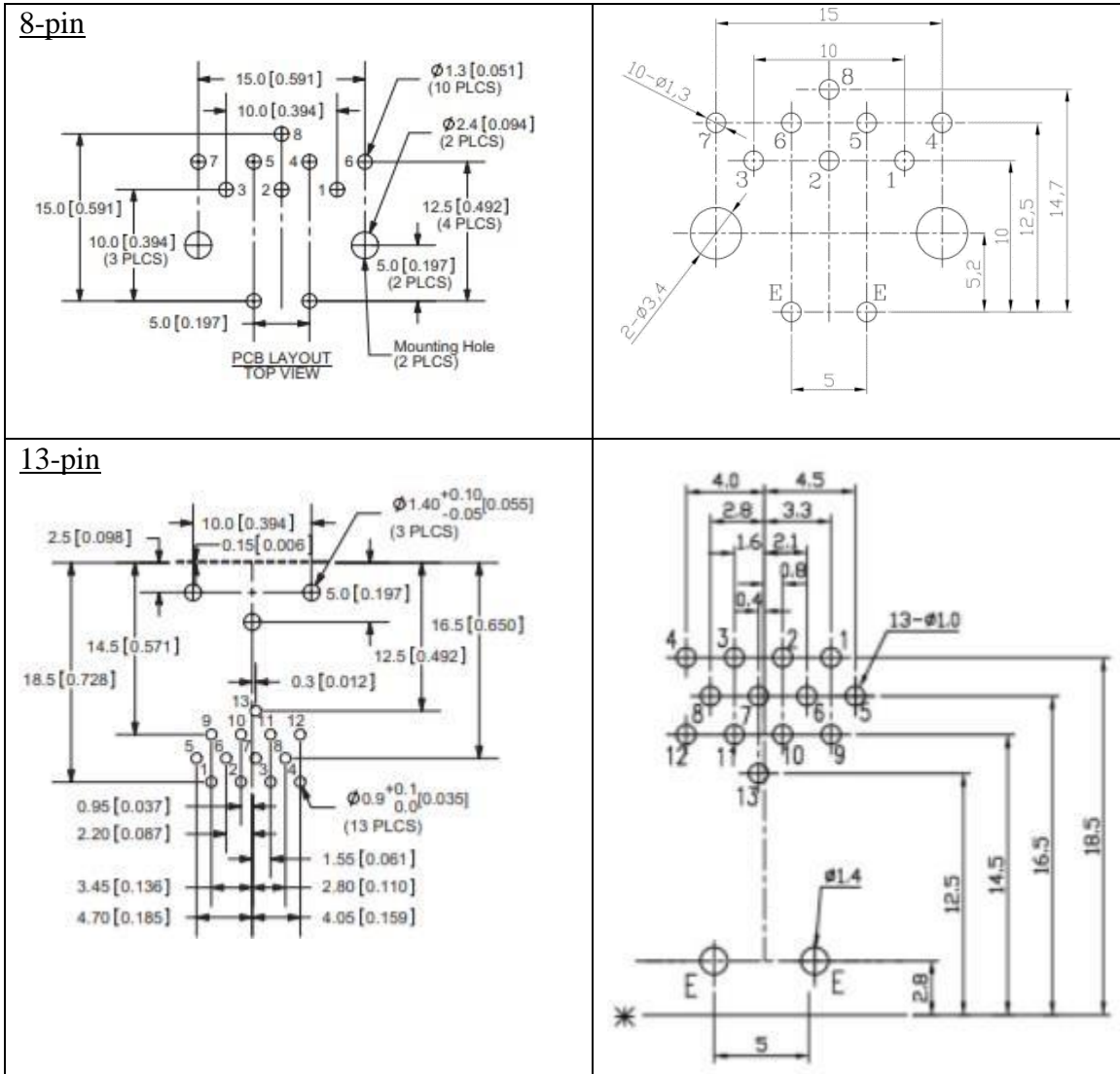
## Old Design SDF-130J



## New Design SDF-130J



PCB Layout Old Design	PCB Layout New Design
<p><u>4-pin</u></p>  <p> <math>\phi 1.30 [0.051]</math> (6 PLCS)  <math>\phi 2.40 [0.094]</math> (2 PLCS)                      5.0 [0.197] (2 PLCS)                      15.0 [0.591]                      10.0 [0.394]                      Mounting Hole (2 PLCS)                      12.50 [0.492] (2 PLCS)                      5.00 [0.197]                      10.0 [0.394] (2 PLCS)                      PCB LAYOUT TOP VIEW                 </p>	 <p>                     5.0                      2.7                      14.7                      12.3                      6-<math>\phi 1.5</math>                      10.0                      15.0                 </p>
<p><u>5-pin</u></p>  <p> <math>\phi 1.3 [0.051]</math> (7 PLCS)  <math>\phi 2.4 [0.094]</math> (2 PLCS)                      5.0 [0.197] (2 PLCS)                      15.0 [0.591]                      10.0 [0.394]                      Mounting Hole (2 PLCS)                      12.5 [0.492] (2 PLCS)                      5.00 [0.197]                      10.0 [0.394] (3 PLCS)                      PCB LAYOUT TOP VIEW                 </p>	 <p>                     15                      10                      2-<math>\phi 1.3</math>                      2-<math>\phi 2.4</math>                      1                      2                      3                      4                      5                      5                      9.55                      12                 </p>
<p><u>6-pin</u></p>  <p> <math>\phi 1.30 [0.051]</math> (8 PLCS)  <math>\phi 2.40 [0.094]</math> (2 PLCS)                      5.0 [0.197] (2 PLCS)                      15.0 [0.591]                      10.0 [0.394]                      Mounting Hole (2 PLCS)                      12.5 [0.492] (2 PLCS)                      5.00 [0.197]                      10.0 [0.394] (3 PLCS)                      PCB LAYOUT TOP VIEW                 </p>	 <p>                     15.0                      10.0                      2-<math>\phi 1.3</math>                      12.1                      14.6                      17.35                      2.7                      5.0                 </p>



**Old design materials (all models)**

	MATERIAL	PLATING
shield terminal (30~80)	brass	nickel
shield terminal (130)	phosphor bronze	tin
contact terminals (30~80)	brass	tin
contact terminals (130)	phosphor bronze	silver
plate (30~60)	bakelite	
plate (70, 80, 130)	N/A	
plastic	PBT	



## **New design materials (SDF-30J)**

	MATERIAL	PLATING
housing	PBT	black
shielded terminal	brass	nickel
insulation board	bakelite	
terminal	brass	tin

## **New design materials (SDF-40J)**

	MATERIAL	PLATING
1 housing	PBT 4815 UL94V-0	black
2 cover	PBT 4815 UL94V-0	black
3 contact	copper alloy	silver
4 contact	phosphor bronze	silver
5 sealed plate	copper alloy	copper/tin

## **New design materials (SDF-60J)**

	MATERIAL	PLATING
1 housing	PBT 4815 UL94V-0	black
2 cover	PBT 4815 UL94V-0	black
3 contact foot	copper alloy	silver
4 contact foot	phosphor bronze	silver
5 sealed plate	copper alloy	copper/tin

## **New design materials (SDF-70J)**

	MATERIAL	PLATING
housing	PBT	black
shielded terminal	brass	nickel
terminal	brass	tin

## **New design materials (SDF-80J)**

		MATERIAL	PLATING
1	housing	PBT UL94V-0	black
2	shielded terminal	copper alloy	copper/tin
3	cover	PBT UL94V-0	black
4	terminal	copper alloy	silver

## **New design materials (SDF-130J)**

		MATERIAL	PLATING
1	terminal	phosphor bronze	silver
2	ground contact	phosphor bronze	silver
3	housing	PBT 4815 UL94V-0	black
4	cover	PBT 4815 UL94V-0	black
5	sealed plate	copper alloy	copper/tin

**Affected Date Code:** April 1<sup>st</sup>, 2020

**Product Availability:** currently available

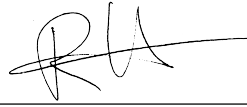
**Additional Information:** none

PCN Approval:

Operations/Quality

# CUI DEVICES

Product Marketing

A handwritten signature in black ink, appearing to be 'RU', is positioned to the right of the 'Product Marketing' text. A horizontal line is drawn below the signature and extends across the width of the page.

20050 SW 112<sup>th</sup> Ave. Tualatin, Oregon 97062  
phone: 800.275.4899 fax: 503.612.2383  
[www.cuidevices.com](http://www.cuidevices.com)