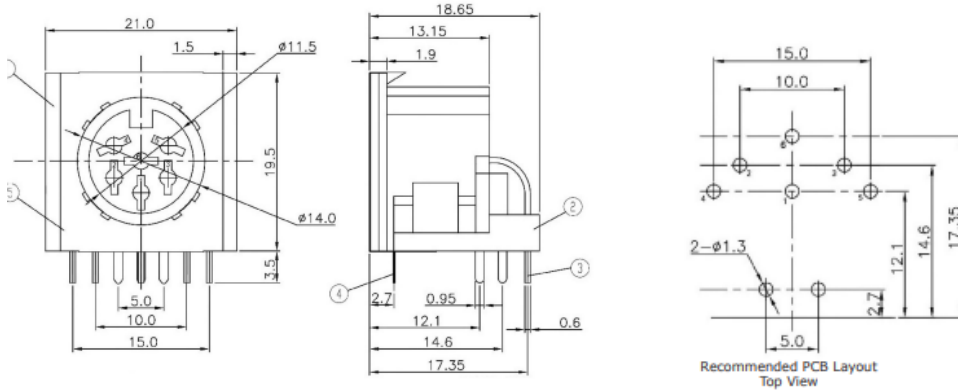


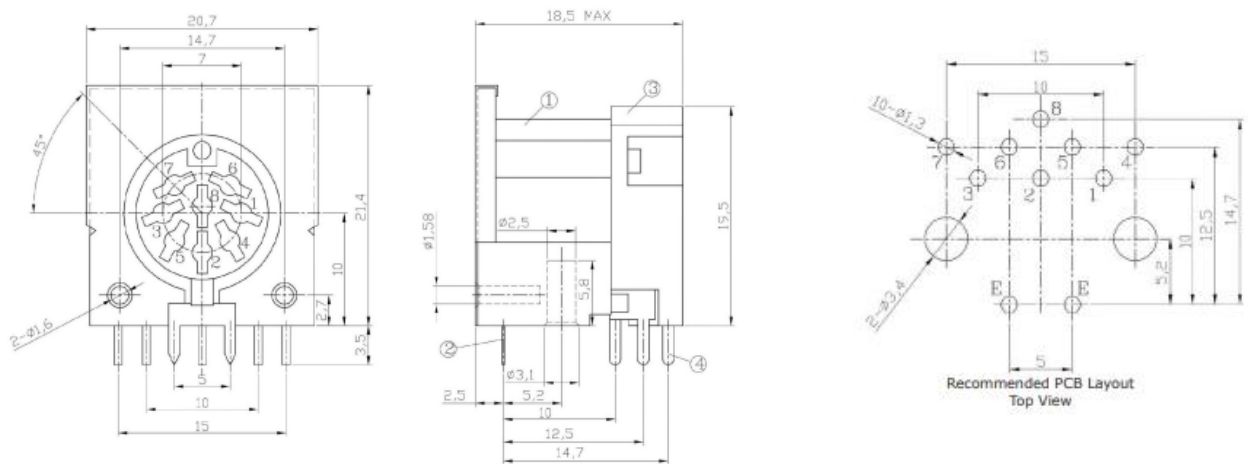
CUI DEVICES

6405 SW Rosewood St, Ste C
Lake Oswego, OR 97035

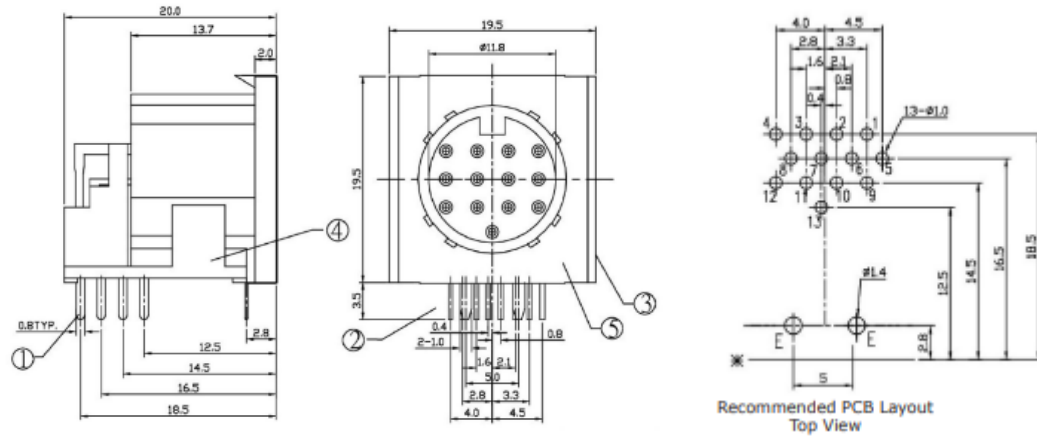
SDF-60J



SDF-80J



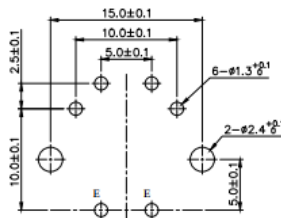
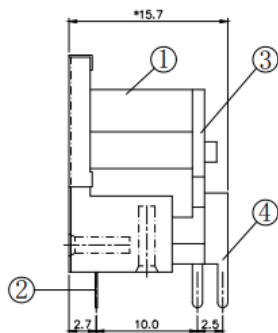
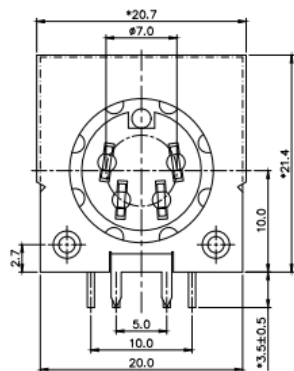
SDF-130J



CUI DEVICES

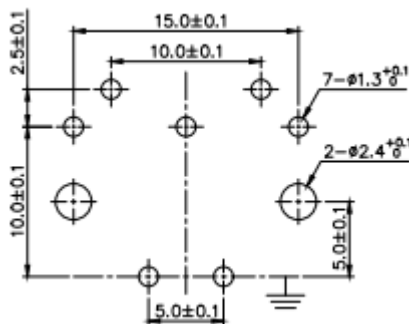
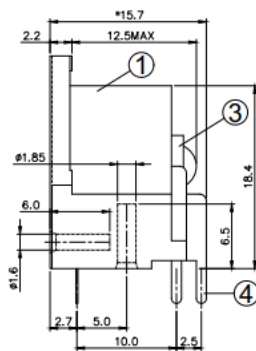
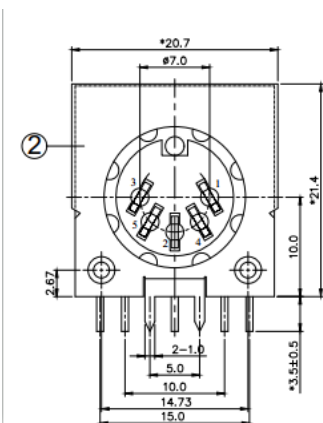
6405 SW Rosewood St, Ste C
Lake Oswego, OR 97035

NEW SDF-40J

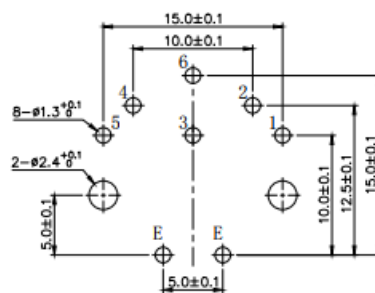
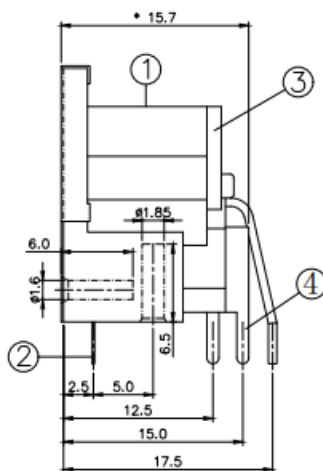
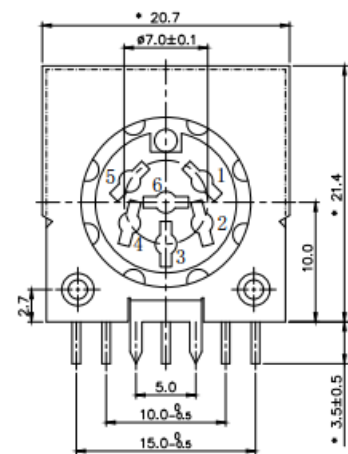


PCB LAYOUT
(TOP VIEW)

SDF-50J

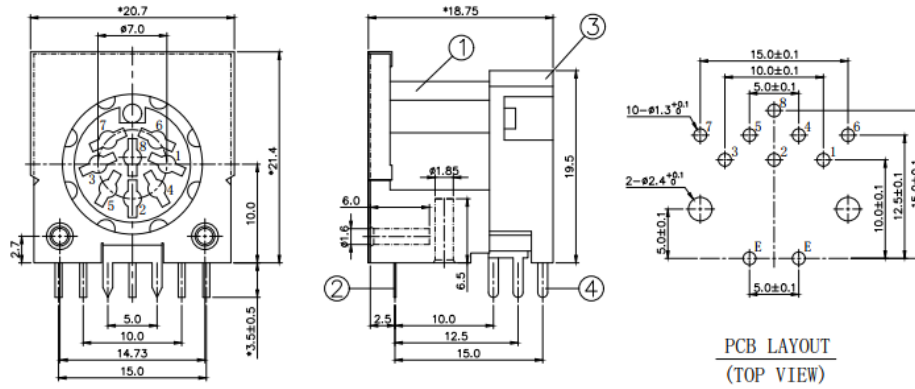


SDF-60J

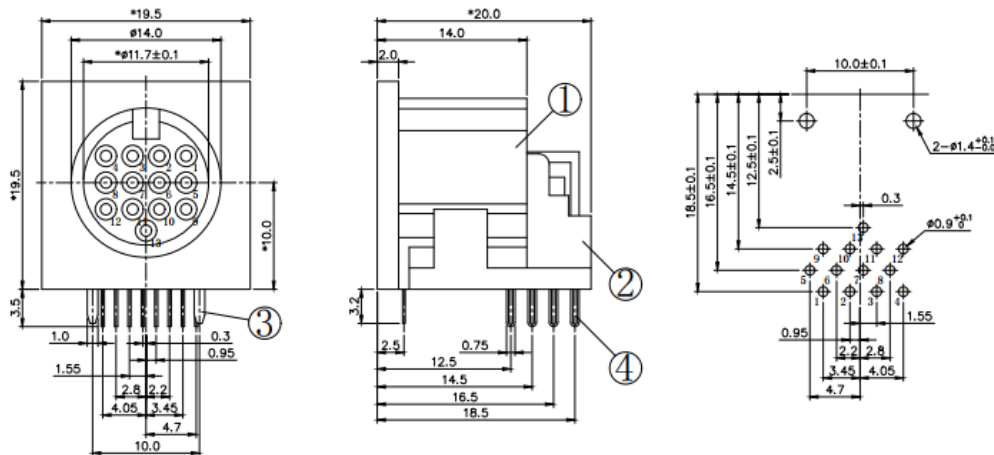


PCB LAYOUT
(TOP VIEW)

SDF-80J



SDF-130J



Affected Date Code: 03/25/2022
Product Availability: pertaining to market availability

PCN Approval:

Operations/Quality

R. Adams

Product Management

[Signature]