



Product Change Notice (PCN)

Date: 10/3/2023

PCN Number: PCN-0454823R-01

To Our Customers:

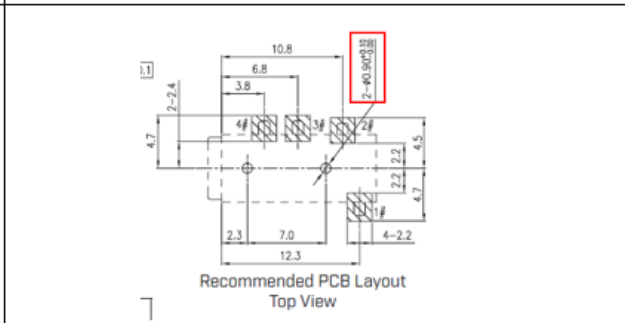
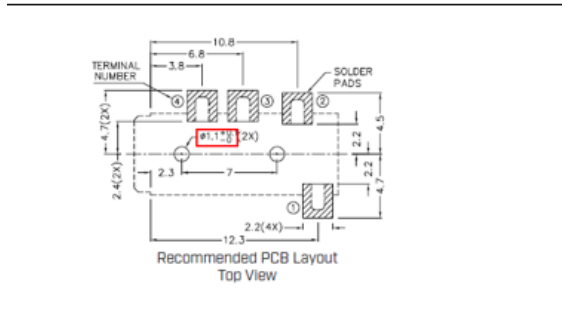
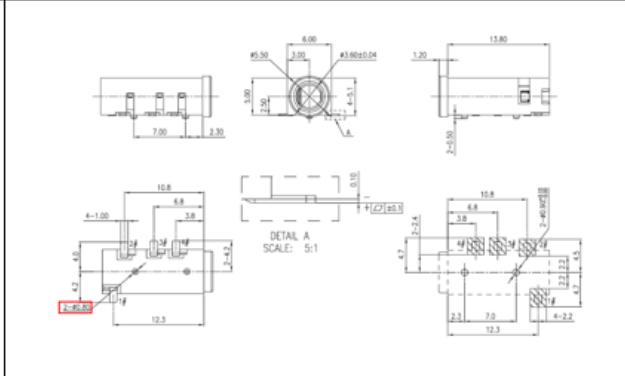
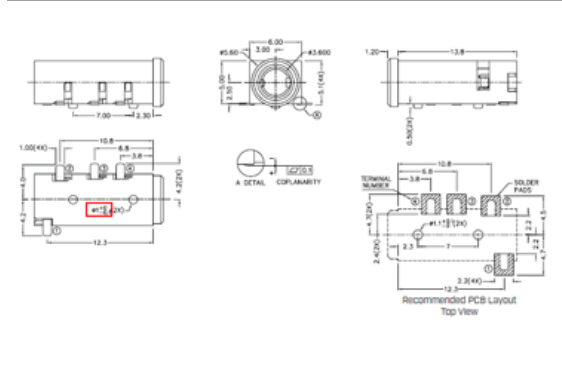
We appreciate your use of our products. Our commitment in maintaining and improving processes is demonstrated by plans to enhance our product quality, reliability, and manufacturability. The purpose of this notice is to inform you of a product change.

Product(s) Affected: SJ2-3574A-SMT-TR

Reason(s) for Change: *Manufacturing Improvement processes*

Description of Change: *Minor Layout and Material Difference. See image Below*

PREVIOUS CUI DEVICES DETAIL / IMAGE NEW CUI DEVICES DETAIL / IMAGE



	MATERIAL	PLATING
terminal 1	copper alloy	silver
terminal 2	copper alloy	silver
terminal 3	copper alloy	silver
terminal 4	copper alloy	silver
plastic	PA10T	

DESCRIPTION	MATERIAL	PLATING/COLOR
terminal 1	phosphor copper t=0.20 mm	silver
terminal 2	phosphor copper t=0.20 mm	silver
terminal 3	phosphor copper t=0.20 mm	silver
terminal 4	phosphor copper t=0.20 mm	silver
housing	PA10T (UL94V-0)	black

PREVIOUS CUI DEVICES DETAIL / IMAGE

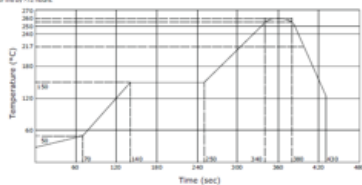
SPECIFICATIONS

parameter	conditions/description	min	typ	max	units
rated input voltage			12		Vdc
rated input current				1	A
contact resistance ¹	between terminal and mating plug between terminal in a closed circuit		50	30	mΩ
insulation resistance	at 500 Vdc	100			MΩ
voltage withstand	for 1 minute			500	Vdc
insertion/withdrawal force		0.3		3	kg
operating temperature		-25		85	°C
life	at a rate of 24 cycles/minute		5,000		cycles
flammability rating	UL94V-0				
RoHS	yes				

SOLDERABILITY

parameter	conditions/description	min	typ	max	units
reel storage	at relative humidity <80%			40	°C
reflow soldering ¹	see reflow profile	255	260	265	°C
drying conditions ²	starts in reel, bake at 40°C ±5°C for 72 hours parts removed from reel, bake at 40°C ±5°C for 10 hours				

Note: 1. Must reflow solder within 72 hours from opening vacuum packaging at a temperature <2°C of relative humidity <80%.
2. After uncoiling tape 90% by 72 hours.



NEW CUI DEVICES DETAIL / IMAGE

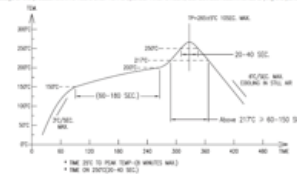
SPECIFICATIONS

parameter	conditions/description	min	typ	max	units
rated input voltage			12		Vdc
rated input current				1	A
contact resistance				50	mΩ
insulation resistance	at 500 Vdc	100			MΩ
voltage withstand	for 1 minute			500	Vdc
insertion/withdrawal force		0.3		3	kg
operating temperature		-40		85	°C
life			5,000		cycles
flammability rating	UL94V-0				
RoHS	yes				

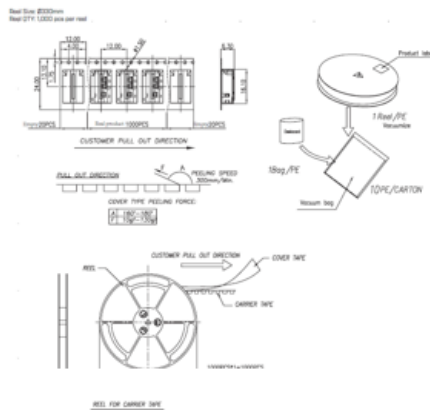
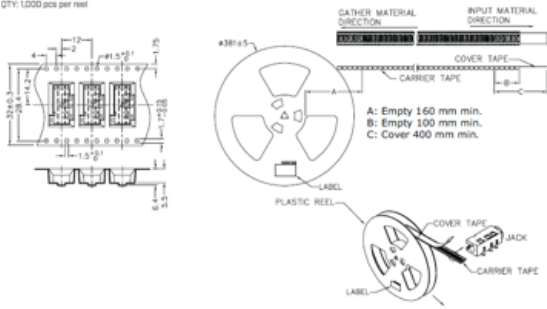
SOLDERABILITY

parameter	conditions/description	min	typ	max	units
hand soldering	for 3-4 seconds	340	350	360	°C
reel storage	-5-35°C, 25-80% humidity reel opened use within 1 month reel unopened use within 6 months				
reflow soldering	see reflow profile	250	255	270	°C

Note: 1. CUI Devices recommends usage of the product within 2 hours after 194 is opened. After 2 hours, CUI Devices recommends drying the parts prior to use.



Reel Size Ø300 mm
Reel QTY: 1,000 parts per reel





Affected Date Code: **07/27/2023**

Product Availability: *Pertaining to market availability*

PCN Approval:

Operations/Quality

A handwritten signature in black ink, appearing to read "Robert D. Davis", written over a horizontal line.

Product Management

A handwritten signature in black ink, written over a horizontal line. The signature is partially obscured by a light gray rectangular box.