

Product Change Notice (PCN)

Date: **12/28/2022**

PCN Number: **PCN-0454830R-01**

To Our Customers:

We appreciate your use of our products. Our commitment in maintaining and improving processes is demonstrated by plans to enhance our product quality, reliability, and manufacturability. The purpose of this notice is to inform you of a product change.

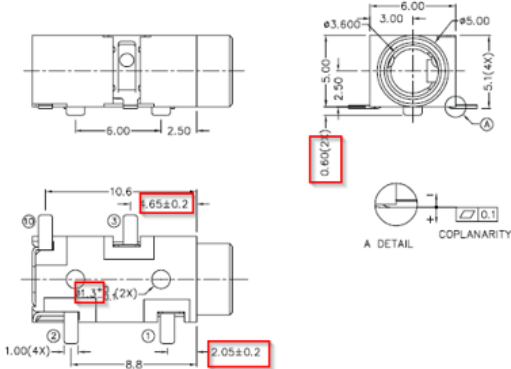
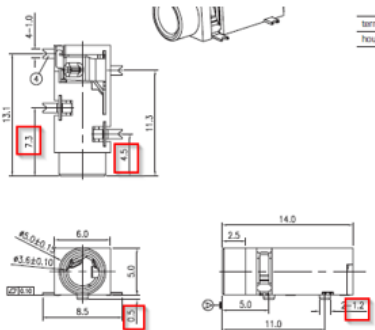
Product(s) Affected:

SJ2-35813A-SMT-TR, SJ2-35813B-SMT-TR

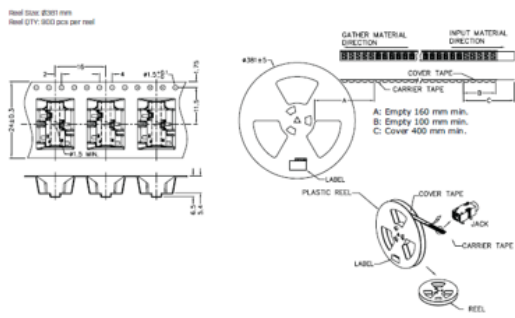
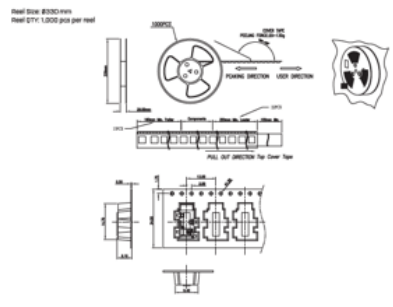
Reason(s) for Change: *Manufacturing process improvements*

Description of Change:

1. Minor Housing differences

PREVIOUS CUI DEVICES DETAIL / IMAGE	NEW CUI DEVICES DETAIL / IMAGE
	

5. Tape and reel packaging differs

PREVIOUS CUI DEVICES DETAIL / IMAGE	NEW CUI DEVICES DETAIL / IMAGE
	

Affected Date Code: *11/15/2022*

Product Availability: *Channel availability mid Q4*

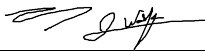
Additional Information:

PCN Approval:

Operations/Quality



Product Management



Nick Wolfe 11/22/2022