

## Product Change Notice (PCN)

Date: **05/23/2023**

PCN Number: **PCN-0454917R-01**

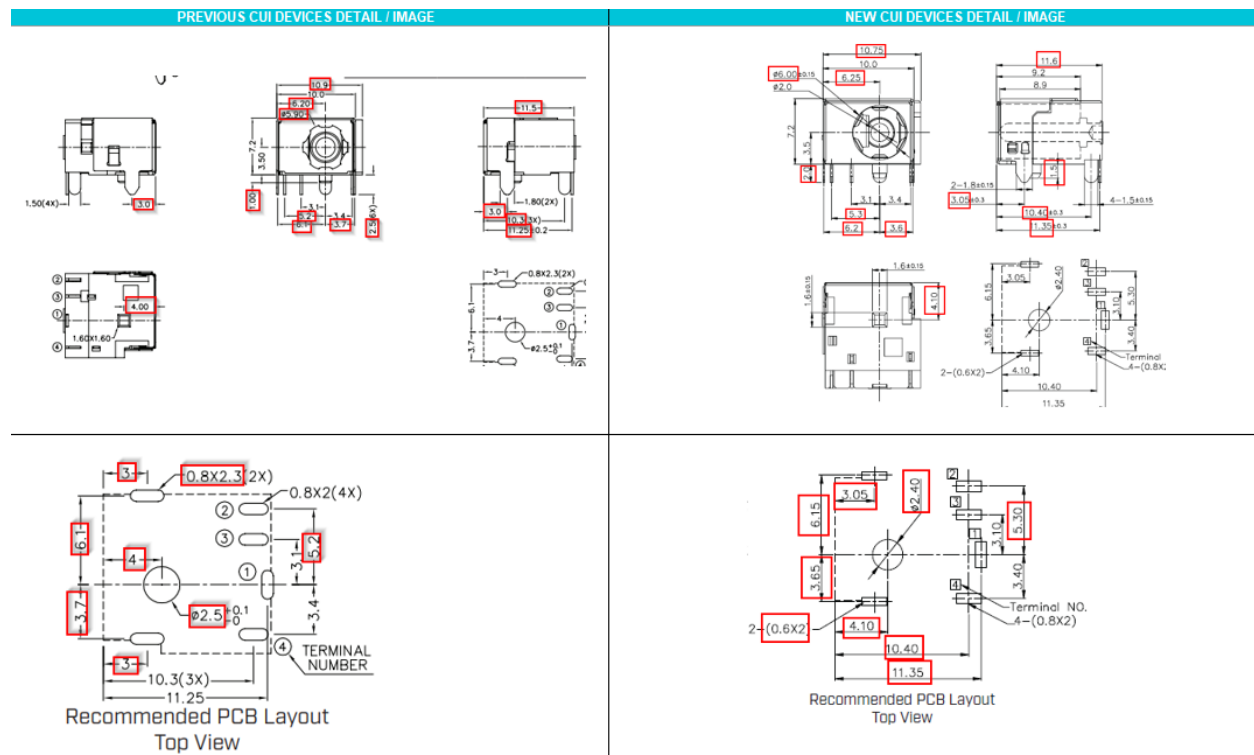
To Our Customers:

We appreciate your use of our products. Our commitment in maintaining and improving processes is demonstrated by plans to enhance our product quality, reliability, and manufacturability. The purpose of this notice is to inform you of a product change.

Product(s) Affected: *PJ-085AH*

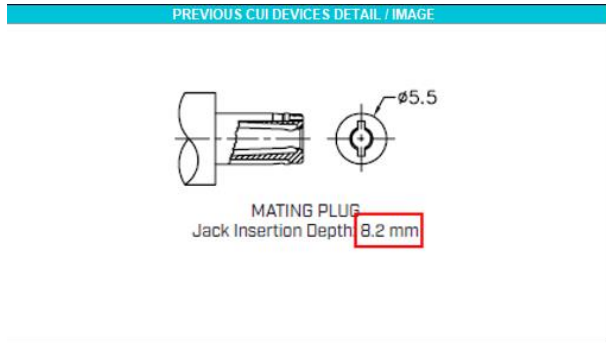
Reason(s) for Change: *Manufacturing process improvements*

Description of Change: *Minor Housing and footprint differences. Material Change on the housing and terminals. See image Below*

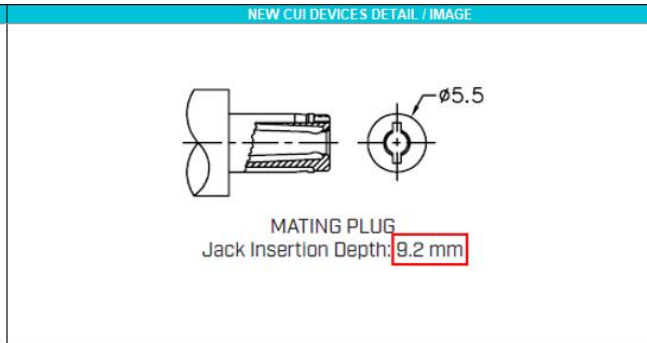


F-723-001

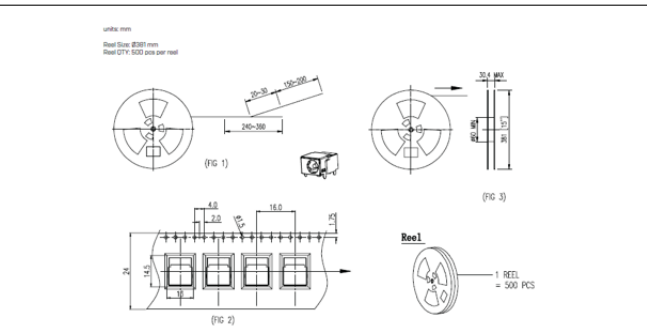
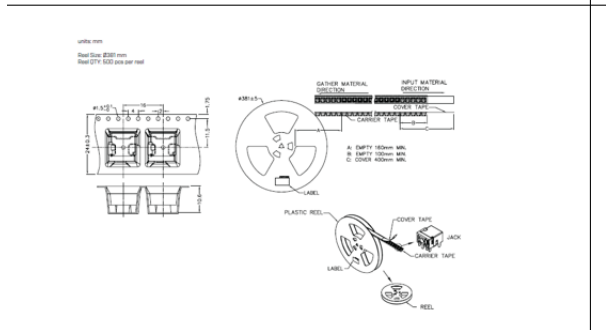
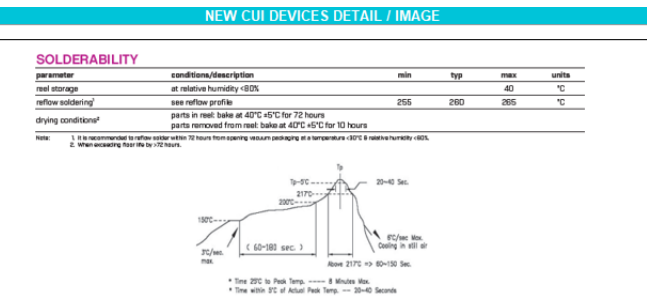
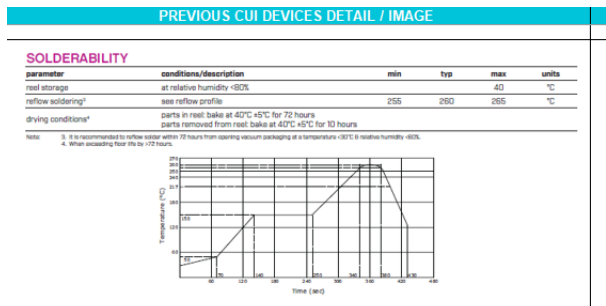
Revision: A



	MATERIAL	PLATING
center pin	<b>copper</b>	nickel
terminal 1	brass	silver
terminal 2	<b>copper alloy</b>	silver
terminal 3	brass	silver
terminal 4	<b>copper alloy</b>	silver
shield A	brass	nickel
shield B	stainless steel	
insulator	PA10T	



DESCRIPTION	MATERIAL	PLATING
center pin	<b>brass</b>	nickel
terminal 1	brass	silver
terminal 2	<b>phosphor bronze</b>	silver
terminal 3	brass	silver
terminal 4	<b>phosphor bronze</b>	silver
shield A	brass	nickel
shield B	stainless steel	clean
housing	PA10T (UL94V-0)	black





Affected Date Code: 05/19/2023

Product Availability: *Pertaining to market availability*

PCN Approval:

Operations/Quality

A handwritten signature in black ink, appearing to read "R. Adams", positioned above a horizontal line.

Product Management

A handwritten signature in black ink, appearing to read "J. Adams", positioned above a horizontal line.