

## Product Change Notice (PCN)

Date: **05/24/2024**

PCN Number: **PCN-0456164R**

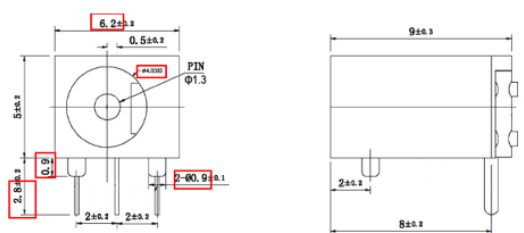
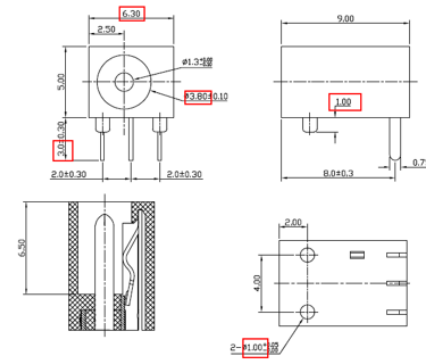
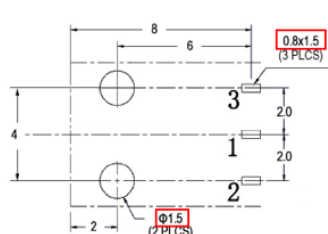
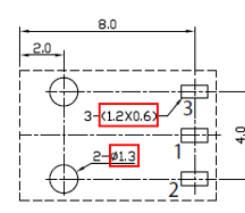
To Our Customers:

We appreciate your use of our products. Our commitment in maintaining and improving processes is demonstrated by plans to enhance our product quality, reliability, and manufacturability. The purpose of this notice is to inform you of a product change.

Product(s) Affected: **PJ-036D**

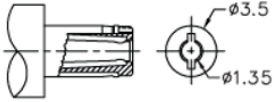
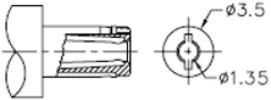
Reason(s) for Change: **Manufacturing Improvement processes**

Description of Change: **New Factory Location. Product re-engineered for improved manufacturability and production yield. See image below for reference and check CUI Devices website for updated drawing. Cosmetic differences may be visible and not affect the form fit and function of the product.**

PREVIOUS CUI DEVICES DETAIL / IMAGE	NEW CUI DEVICES DETAIL / IMAGE
	
 <p>Recommended PCB Layout Top View</p>	 <p>Recommended PCB Layout Top View</p>

PREVIOUS CUI DEVICES DETAIL / IMAGE			NEW CUI DEVICES DETAIL / IMAGE		
DESCRIPTION	MATERIAL	PLATING/COLOR	DESCRIPTION	MATERIAL	PLATING/COLOR
center pin	brass	silver	center pin	brass	silver
terminal 1	brass t=0.25	silver	terminal 1	brass t=0.25	silver
terminal 2	brass t=0.25	silver	terminal 2	SUS301 t=0.25	silver
terminal 3	brass t=0.25	silver	terminal 3	brass t=0.25	silver
housing	PBT (UL94V-0)	black	housing	PPA (UL94V-0)	black

 <p>MATING PLUG Jack Insertion Depth: 6.4 mm</p>	 <p>MATING PLUG Jack Insertion Depth: 6.5 mm</p>
---------------------------------------------------------------------------------------------------------------------------------------	----------------------------------------------------------------------------------------------------------------------------------------

Affected Date Code: All orders placed after **05/15/2024**

Product Availability: *Pertaining to market availability*

PCN Approval:

Operations/Quality



Product Management

