

Product Change Notice (PCN)

Date: **10/25/2024**

PCN Number: **PCN-0456189R-02**

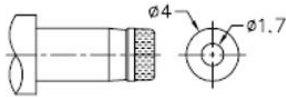
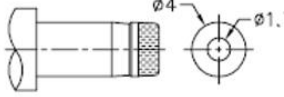
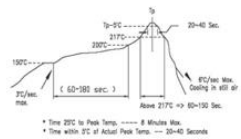
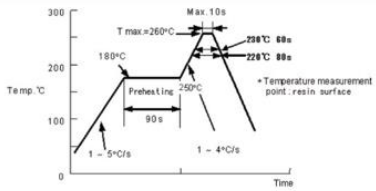
To Our Customers:

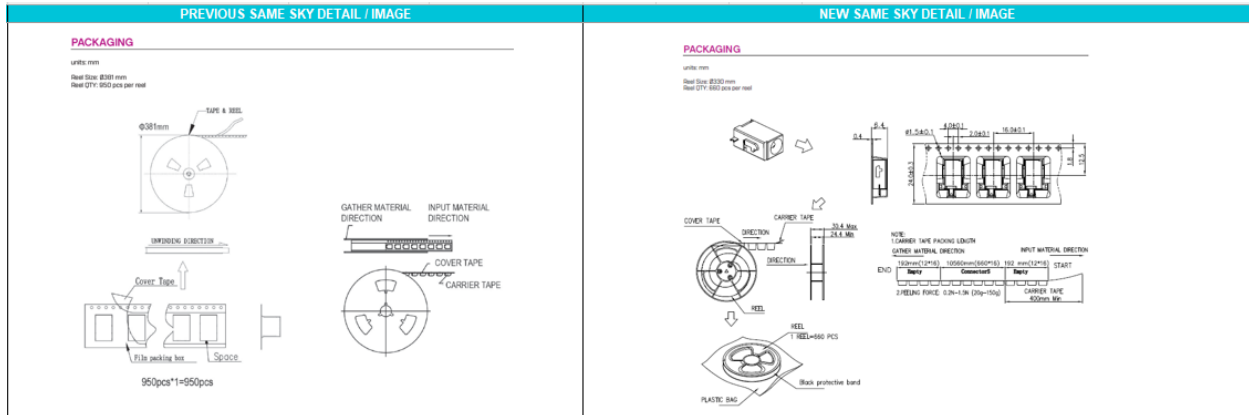
We appreciate your use of our products. Our commitment in maintaining and improving processes is demonstrated by plans to enhance our product quality, reliability, and manufacturability. The purpose of this notice is to inform you of a product change.

Product(s) Affected: **PJ-091H-MSMT-TR**

Reason(s) for Change: *New Factory Location.*

Description of Change: *Product re-engineered for improved manufacturability and production yield. See image below for reference and check the Same Sky website for updated drawing. Cosmetic differences may be visible but will not affect the form fit and function of the product.*

PREVIOUS SAME SKY DETAIL / IMAGE	NEW SAME SKY DETAIL / IMAGE																																										
 <p>MATING PLUG Jack Insertion Depth 8 mm</p>	 <p>MATING PLUG Jack Insertion Depth 8.2 mm</p>																																										
<p>SOLDERABILITY</p> <table border="1"> <thead> <tr> <th>parameter</th> <th>conditions/description</th> <th>min</th> <th>typ</th> <th>max</th> <th>units</th> </tr> </thead> <tbody> <tr> <td>reel storage</td> <td>10-30°C, <70% humidity</td> <td></td> <td></td> <td></td> <td>°C</td> </tr> <tr> <td>reflow soldering</td> <td>see reflow profile</td> <td>255</td> <td>260</td> <td></td> <td>°C</td> </tr> </tbody> </table> <p>drying conditions¹ parts in reel: bake at 120°C for 4 hours parts removed from reel: bake at 120°C for 4 hours</p> <p><small>Notes: 1. Same Sky recommends to solder within 72 hours from opening vacuum packaging at a temperature <25°C & relative humidity <60%. 2. When exceeding from life by >240 hours.</small></p> 	parameter	conditions/description	min	typ	max	units	reel storage	10-30°C, <70% humidity				°C	reflow soldering	see reflow profile	255	260		°C	<p>SOLDERABILITY</p> <table border="1"> <thead> <tr> <th>parameter</th> <th>conditions/description</th> <th>min</th> <th>typ</th> <th>max</th> <th>units</th> </tr> </thead> <tbody> <tr> <td>reel storage</td> <td>5-35°C, <75% humidity</td> <td></td> <td></td> <td></td> <td>°C</td> </tr> <tr> <td>reflow soldering</td> <td>see reflow profile</td> <td></td> <td></td> <td>260</td> <td>°C</td> </tr> <tr> <td>drying conditions</td> <td>bake at 120°C for 4 hours</td> <td></td> <td></td> <td></td> <td></td> </tr> </tbody> </table> 	parameter	conditions/description	min	typ	max	units	reel storage	5-35°C, <75% humidity				°C	reflow soldering	see reflow profile			260	°C	drying conditions	bake at 120°C for 4 hours				
parameter	conditions/description	min	typ	max	units																																						
reel storage	10-30°C, <70% humidity				°C																																						
reflow soldering	see reflow profile	255	260		°C																																						
parameter	conditions/description	min	typ	max	units																																						
reel storage	5-35°C, <75% humidity				°C																																						
reflow soldering	see reflow profile			260	°C																																						
drying conditions	bake at 120°C for 4 hours																																										



Affected Date Code: All orders placed after **10/17/2024**

Product Availability: *Pertaining to market availability*

PCN Approval:

Operations/Quality

Roe Adrian

Product Management

[Signature]