

Product Change Notice (PCN)

Date: 11/15/2024

PCN Number: PCN-0456257R-02

To Our Customers:

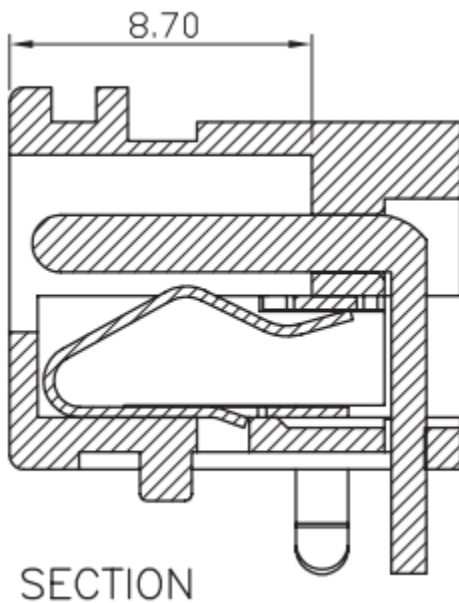
We appreciate your use of our products. Our commitment in maintaining and improving processes is demonstrated by plans to enhance our product quality, reliability, and manufacturability. The purpose of this notice is to inform you of a product change.

Product(s) Affected: PJ1-021

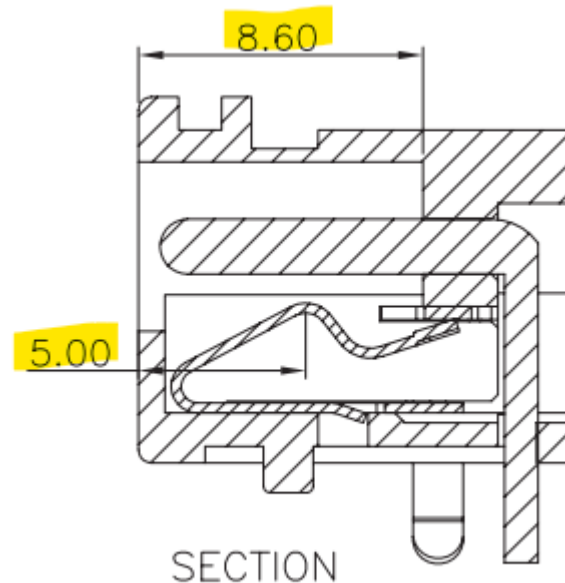
Reason(s) for Change: *Mold Upgrade: Modified Internal Spring*

Description of Change: *Product re-engineered for improved manufacturability and production yield. See image below for reference and check the Same Sky website for updated drawing. Cosmetic differences may be visible but will not affect the form fit and function of the product.*

OLD



NEW





Affected Date Code: All orders placed after **11/7/2024** * subject to stock availability. Same Sky reserves the right to ship pre-PCN product if available in stock.

Product Availability: *Pertaining to market availability*

PCN Approval:

Operations/Quality



Product Management

