

Product Change Notice (PCN)

Date: **08/23/2024**

PCN Number: **PCN-0456733R-01**

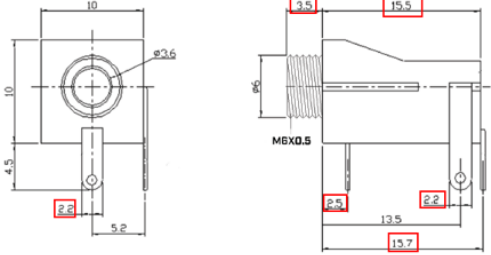
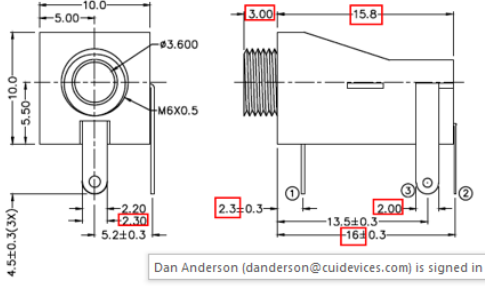
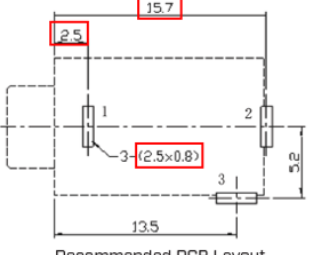
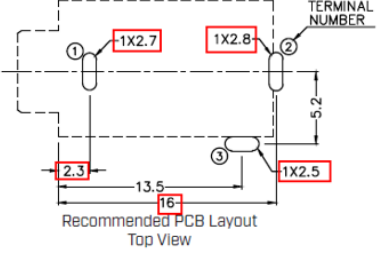
To Our Customers:

We appreciate your use of our products. Our commitment in maintaining and improving processes is demonstrated by plans to enhance our product quality, reliability, and manufacturability. The purpose of this notice is to inform you of a product change.

Product(s) Affected: **MJ-3536**

Reason(s) for Change: *Manufacturing Improvement processes*

Description of Change: *New Factory Location. Product re-engineered for improved manufacturability and production yield. See image below for reference and check CUI Devices website for updated drawing. Cosmetic differences may be visible but will not affect the form fit and function of the product.*

PREVIOUS CUI DEVICES DETAIL / IMAGE	NEW CUI DEVICES DETAIL / IMAGE
	
 <p>Recommended PCB Layout Top View</p>	 <p>Recommended PCB Layout Top View</p>

PREVIOUS CUI DEVICES DETAIL / IMAGE			NEW CUI DEVICES DETAIL / IMAGE		
DESCRIPTION	MATERIAL	PLATING/COLOR	DESCRIPTION	MATERIAL	PLATING/COLOR
terminal 1	brass	silver	terminal 1	brass	tin over nickel
terminal 2	brass	silver	terminal 2	copper alloy	tin over nickel
terminal 3	brass	silver	terminal 3	brass	tin over nickel
bushing	brass	tin	bushing	brass	nickel
housing	PA (UL94V-0)	black	housing	PBT (UL94V-0)	black

Affected Date Code: All orders placed after **10/22/2024**

Product Availability: *Pertaining to market availability*

PCN Approval:

Operations/Quality



Product Management

