



## Product Change Notice (PCN)

Date: **09/25/2024**

PCN Number: **PCN-0456738R-01**

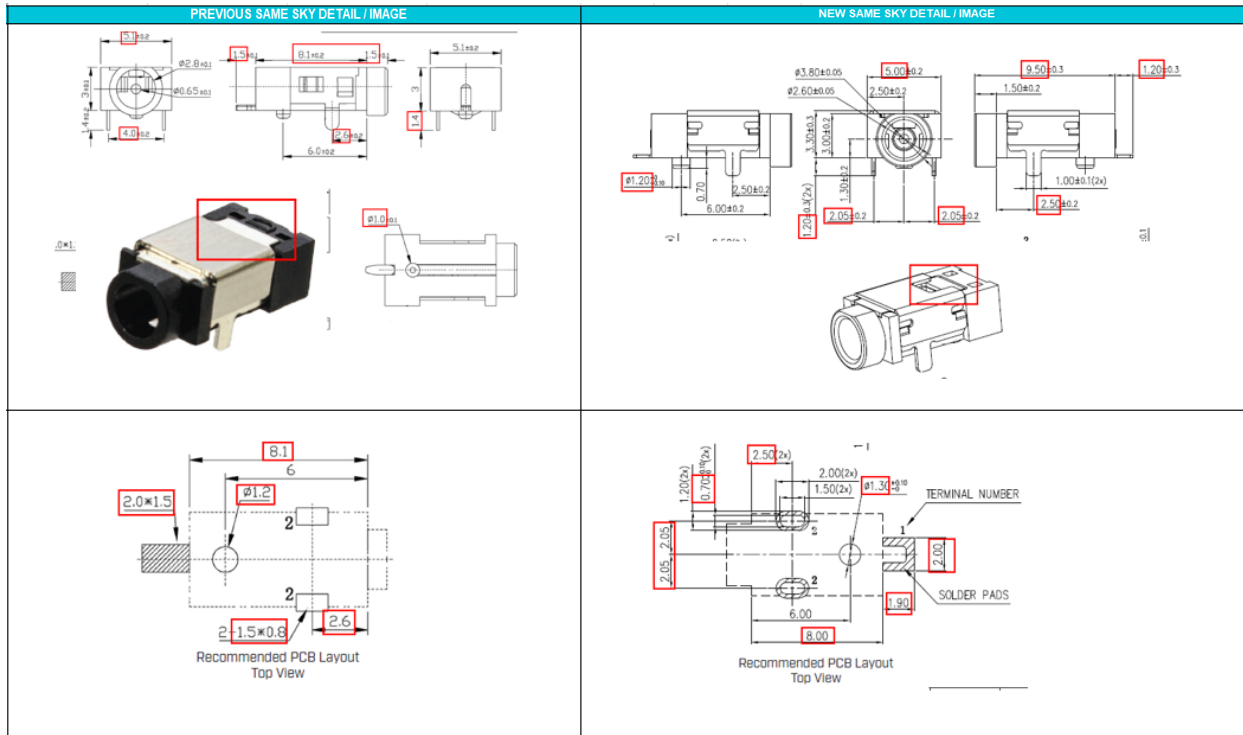
To Our Customers:

We appreciate your use of our products. Our commitment in maintaining and improving processes is demonstrated by plans to enhance our product quality, reliability, and manufacturability. The purpose of this notice is to inform you of a product change.

Product(s) Affected: **PJ-039-SMT-TR**

Reason(s) for Change: *Manufacturing process improvements*

Description of Change: *New Factory Location. Product re-engineered for improved manufacturability and production yield. See image below for reference and check the Same Sky website for updated drawing after 10/20/2024. Cosmetic differences may be visible but will not affect the form fit and function of the product.*



F-723-001

Revision: A

PREVIOUS SAME SKY DETAIL / IMAGE			NEW SAME SKY DETAIL / IMAGE		
DESCRIPTION	MATERIAL	PLATING/COLOR	DESCRIPTION	MATERIAL	PLATING/COLOR
center pin	brass	silver	center pin	copper	nickel
terminal 1	brass t=0.35	silver	terminal 1	brass	silver over nickel
terminal 2	phosphor bronze	silver	terminal 2	copper alloy	silver over nickel
shield	phosphor bronze t=0.25	silver	shield	copper alloy	---
spring	phosphor bronze t=0.25	silver	spring	stainless steel	---
housing	PPA (UL94V-0)	black	housing	PA10T (UL94V-0)	black

MATING PLUG  
Jack Insertion Depth **8 mm**

MATING PLUG  
Jack Insertion Depth **7.7 mm**

PREVIOUS SAME SKY DETAIL / IMAGE					NEW SAME SKY DETAIL / IMAGE						
<b>SOLDERABILITY</b>					<b>SOLDERABILITY</b>						
parameter	conditions/description	min	typ	max	units	parameter	conditions/description	min	typ	max	units
reel storage	10-30°C, <75% humidity				°C	reel storage	5-35°C, <75% humidity				°C
reflow soldering	see reflow profile	250	260		°C	reflow soldering	see reflow profile			260	°C
drying conditions <sup>1</sup>	parts in reel bake at 110°C for 4 hours parts removed from reel bake at 10°C for 4 hours				°C	drying conditions	bake at 120°C for 4 hours				°C
<p>Note:</p> <ol style="list-style-type: none"> <li>Same Sky recommends to solder within 72 hours from opening vacuum packaging at temperature 0°C to relative humidity &lt;65%.</li> <li>After unloading from the tray 100% humidity.</li> </ol>					<p>* Time 25°C to Peak Temp. --- 8 Minutes Max. * Time within 5°C of Actual Peak Temp. --- 30-40 Seconds</p>						
<b>PACKAGING</b>					<b>PACKAGING</b>						
<p>units: mm</p> <p>Reel Size: Ø330 mm Reel Qty: 1,000 pins per reel</p>					<p>units: mm</p> <p>Reel Size: Ø330 mm Reel Qty: 1,000 pins per reel</p> <p>NOTE: * CARRIER TAPE PACKING LENGTHS * TRIMMER CONNECTORS * LEADER (START) and TRAILER (END)</p> <p>2. REELING FORCE: 0.2N-1.5N (20g-150g)</p>						



Affected Date Code: All orders placed after **10/20/2024**

Product Availability: *Pertaining to market availability*

PCN Approval:

Operations/Quality



Product Management

