

Product Change Notice (PCN)

Date: **07/12/2024**

PCN Number: **PCN-0456749R-01**

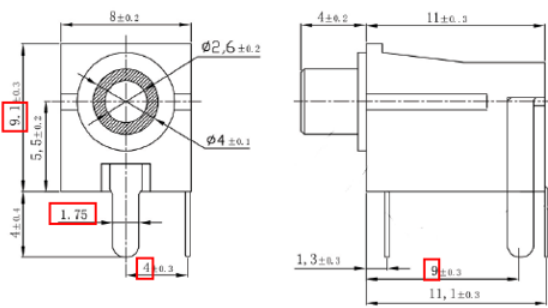
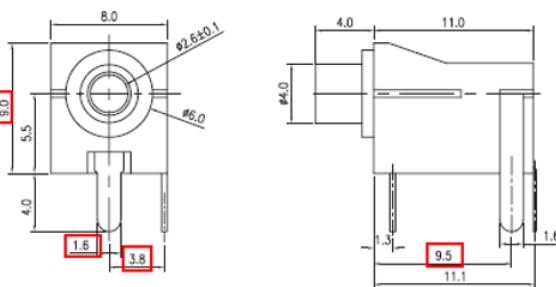
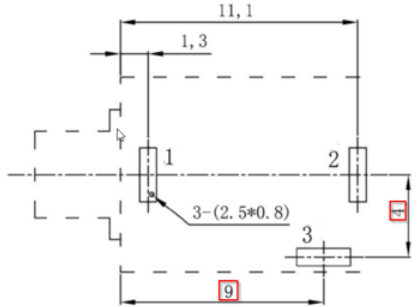
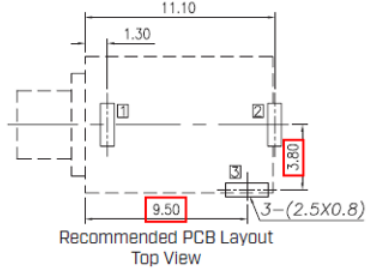
To Our Customers:

We appreciate your use of our products. Our commitment in maintaining and improving processes is demonstrated by plans to enhance our product quality, reliability, and manufacturability. The purpose of this notice is to inform you of a product change.

Product(s) Affected: *MJ-2508*

Reason(s) for Change: *Manufacturing Improvement processes*

Description of Change: *New Factory Location. Product re-engineered for improved manufacturability and production yield. See image below for reference and check CUI Devices website for updated drawing on or after 09/10/2024. Cosmetic differences may be visible and not affect the form fit and function of the product*

| PREVIOUS CUI DEVICES DETAIL / IMAGE | NEW CUI DEVICES DETAIL / IMAGE |
|---|---|
|  |  |
|  |  <p>Recommended PCB Layout Top View</p> |

F-723-001

Revision: A

| PREVIOUS CUI DEVICE'S DETAIL / IMAGE | | | NEW CUI DEVICE'S DETAIL / IMAGE | | |
|--------------------------------------|---------------|---------------|---------------------------------|------------------------|-----------------|
| DESCRIPTION | MATERIAL | PLATING/COLOR | DESCRIPTION | MATERIAL | PLATING/COLOR |
| terminal 1 | brass | tin | terminal 1 | brass t-0.40 | tin over nickel |
| terminal 2 | brass | tin | terminal 2 | phosphor bronze t-0.20 | tin over nickel |
| terminal 3 | brass | tin | terminal 3 | brass t-0.40 | tin over nickel |
| bushing | brass | tin | bushing | copper alloy | nickel |
| housing | PBT (UL94V-0) | black | housing | PBT (UL94V-0) | black |

Affected Date Code: All orders placed before **09/10/2024** will be pre-PCN parts. Orders placed after **09/10/2024** will be manufactured in accordance with the PCN. Please check updated 2D drawing on or after **09/10/2024**.

PCN Approval:

Operations/Quality



Product Management

