

Product Change Notice (PCN)

Date: 07/12/2024

PCN Number: PCN-0456751R-01

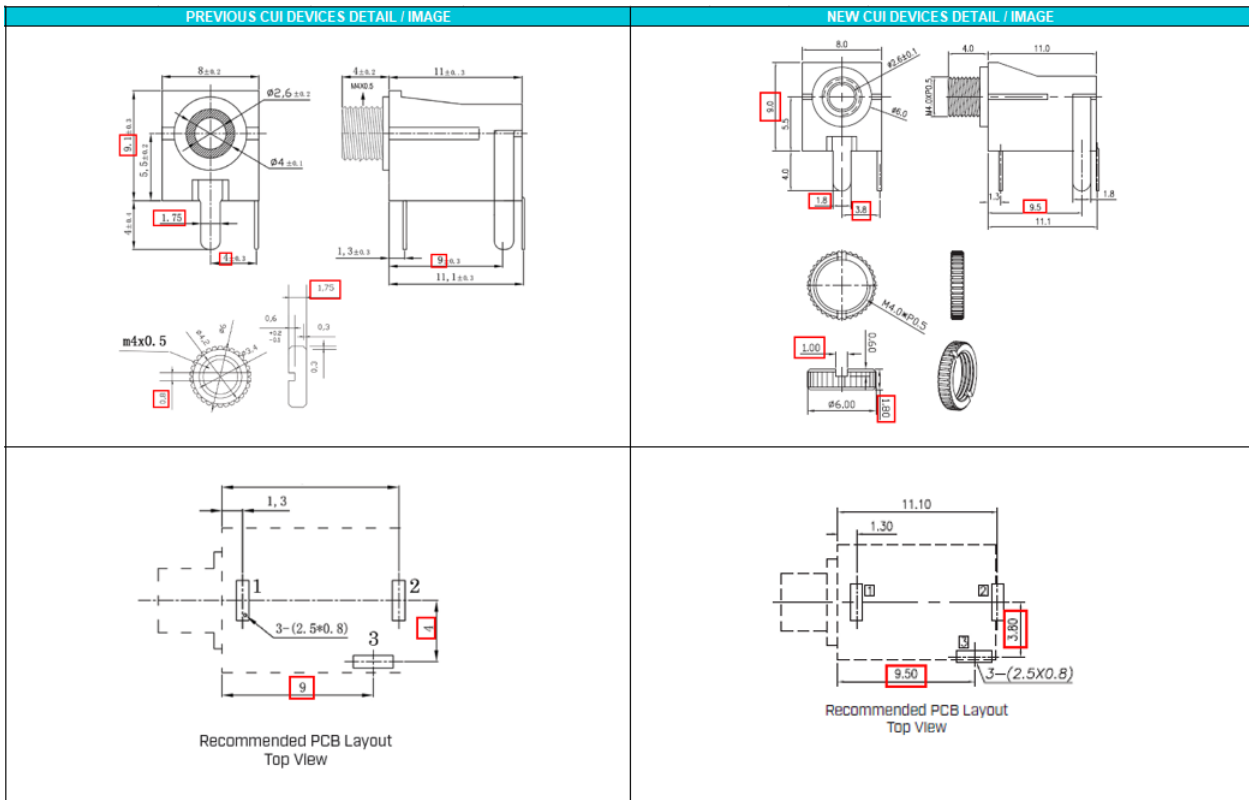
To Our Customers:

We appreciate your use of our products. Our commitment in maintaining and improving processes is demonstrated by plans to enhance our product quality, reliability, and manufacturability. The purpose of this notice is to inform you of a product change.

Product(s) Affected: MJ-2508

Reason(s) for Change: *Manufacturing Improvement processes*

Description of Change: *New Factory Location. Product re-engineered for improved manufacturability and production yield. See image below for reference and check CUI Devices website for updated drawing on or after 09/10/2024. Cosmetic differences may be visible and not affect the form fit and function of the product*





PREVIOUS CUI DEVICE'S DETAIL / IMAGE			NEW CUI DEVICE'S DETAIL / IMAGE		
DESCRIPTION	MATERIAL	PLATING/COLOR	DESCRIPTION	MATERIAL	PLATING/COLOR
terminal 1	brass	tin	terminal 1	brass t=0.40	tin over nickel
terminal 2	brass	tin	terminal 2	phosphor bronze t=0.20	tin over nickel
terminal 3	brass	tin	terminal 3	brass t=0.40	tin over nickel
bushing	brass	tin	bushing	copper alloy	nickel
housing	PBT (UL94V-0)	black	housing	PBT (UL94V-0)	black
nut	zinc alloy	nickel	nut	copper alloy	nickel

Affected Date Code: All orders placed before **09/10/2024** will be pre-PCN parts. Orders placed after **09/10/2024** will be manufactured in accordance with the PCN. Please check updated 2D drawing on or after **09/10/2024**.

PCN Approval:

Operations/Quality

Product Management