

Product Change Notice (PCN)

Date: 3/1/2021

PCN Number: PCN-0730121R-02

To Our Customers:

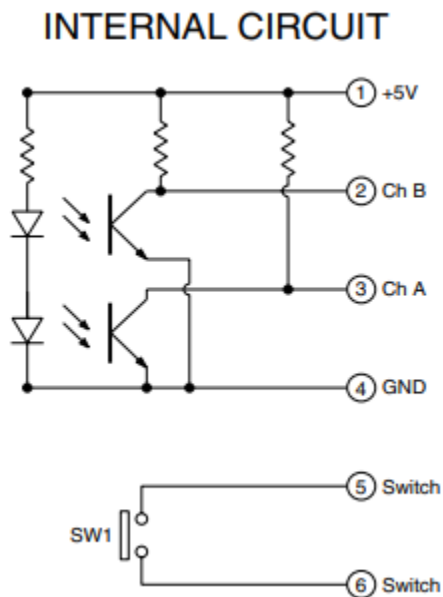
We appreciate your use of CUI Devices products. Our commitment in maintaining and improving processes is demonstrated by plans to enhance our product quality, reliability, and manufacturability. The purpose of this notice is to inform you of a product change.

Product(s) Affected: EC251E050C2Z-0260

Reason(s) for Change: modifications to design.

Description of Change: Internal circuit and supply current adjustment. Current change from 20mA to 30mA. Internal circuit changes shown in below images:

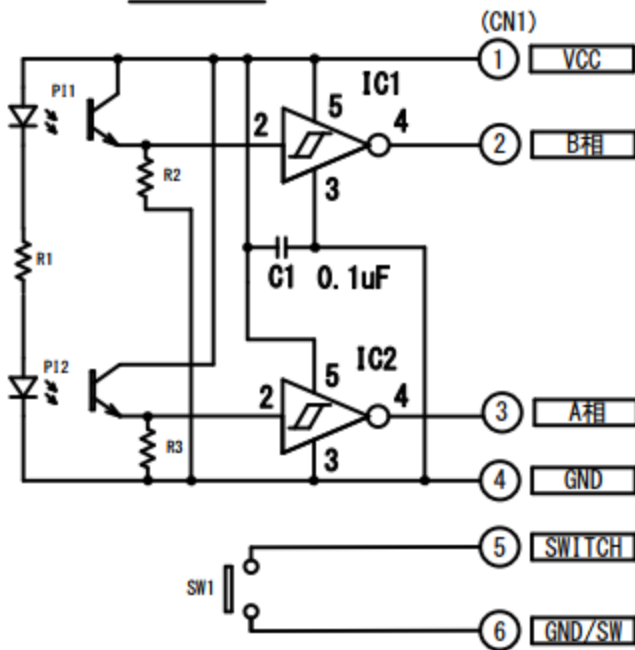
Old circuit design



New circuit design

CUI DEVICES

Circuit



Affected Date Code: February 1st, 2021

Product Availability: currently available

Additional Information: none

PCN Approval:

Operations/Quality



Product Marketing

