



SERIES: CPS-5933X-X105PM | **DESCRIPTION:** SIREN

FEATURES

- multiple tone options
- black or white case color
- mounting bracket



SPECIFICATIONS

parameter	conditions/description	min	typ	max	units
rated voltage			24		Vdc
operating voltage		12		24	Vdc
current consumption	at rated voltage			130	mA
sound pressure level	at 10 cm, rated voltage				
	one tone model	95			dB
	six tone model	90			dB
tone	one tone and six tone models				
dimensions	59 x 65.5 x 33				mm
weight			57		g
material	ABS (black or white models)				
terminal	wire leads				
operating temperature		-20		70	°C
storage temperature		-20		60	°C
RoHS	yes				
IP level	IP44				

PART NUMBER KEY

CPS - 5933 X - X 105PM

Base Number

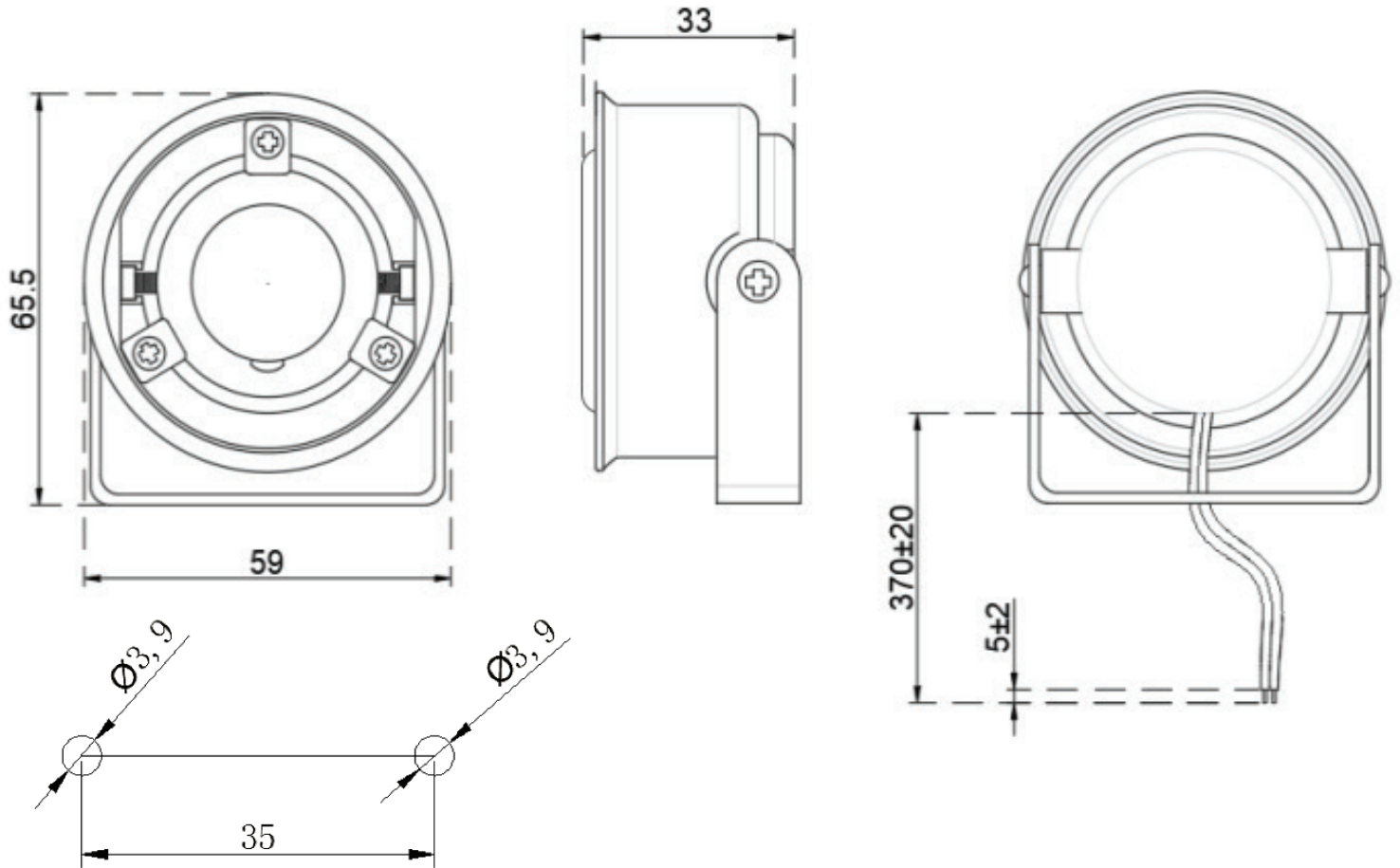
Case Color Options:
"blank" = black
W = white

Tone Options:
1 = one tone
6 = six tone

MECHANICAL DRAWING

units: mm
tolerance: ± 3 mm

wire: UL 1007, 24 AWG



Recommended Mounting Hole Layout

REVISION HISTORY

rev.	description	date
1.0	initial release	11/09/2023
1.01	CUI Devices rebranded to Same Sky	09/11/2024

The revision history provided is for informational purposes only and is believed to be accurate.



Same Sky offers a one (1) year limited warranty. Complete warranty information is listed on our website.

Same Sky reserves the right to make changes to the product at any time without notice. Information provided by Same Sky is believed to be accurate and reliable. However, no responsibility is assumed by Same Sky for its use, nor for any infringements of patents or other rights of third parties which may result from its use.

Same Sky products are not authorized or warranted for use as critical components in equipment that requires an extremely high level of reliability. A critical component is any component of a life support device or system whose failure to perform can be reasonably expected to cause the failure of the life support device or system, or to affect its safety or effectiveness.

[sameskydevices.com](https://www.sameskydevices.com)