



**SERIES:** CDM1253 | **DESCRIPTION:** M12 CONNECTOR

**FEATURES**

- M12 female connector
- D code
- panel mount
- IP67
- 0.5, 1, 2, 3, & 5 meter length options



**SPECIFICATIONS**

parameter	conditions/description	min	typ	max	units
rated voltage				60	V
rated current				1.5	A
withstanding voltage	for 1 minute		1,500		Vac
contact resistance				10	mΩ
insulation resistance	at 500 Vdc for 1 minute	100			MΩ
insertion/withdrawal force		0.3		3.0	kgf
operating temperature		-25		80	°C
life		100			cycles
safety approvals	compliant with IEC61076-2-101				
flammability rating	see material table				
RoHS	yes				
IP level	IP67 (in mated condition)				

**PART NUMBER KEY**

**CDM1253 - 04D - FW - R9 - XXX - 67**

Base Number

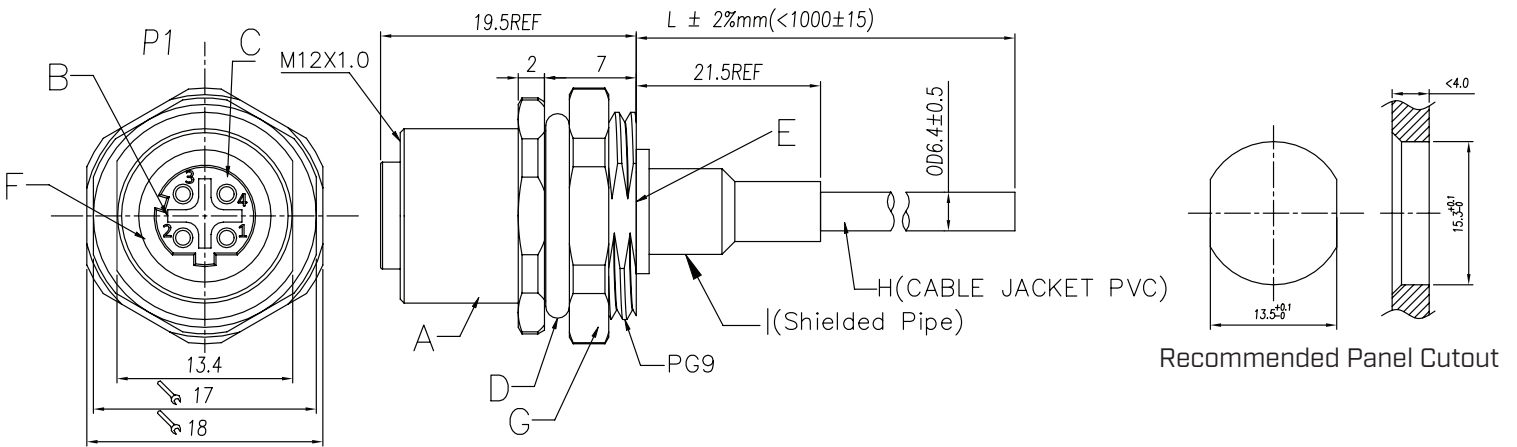
Cable Length:

- 050 = 0.5 m
- 100 = 1 m
- 200 = 2 m
- 300 = 3 m
- 500 = 5 m

## MECHANICAL DRAWING

units: mm  
 tolerance:  
 0.5<X≤6.0: ±0.1 mm  
 6.0<X≤30.0: ±0.2 mm  
 unless otherwise noted

ITEM	DESCRIPTION	MATERIAL	PLATING/COLOR
A	M12X1.0 screw	brass	nickel
B	terminals; female	brass	gold
C	housing; female	PA66 [UL94V-0]	black
D	o-ring	FKM	black
E	resin	black epoxy	black
F	o-ring	FKM	green
G	PG9 nut	brass	nickel
H	cable	CAT5 (100 Mbps), UL2464, 26 AWG PVC jacket	
I	shield pipe	brass	nickel



No. of Poles	4
D-Coding	
Cable	26 AWG twisted pair X 2C + AL + Braid OD: Ø6.4 mm
Wiring	<p>P1</p> <p>1 Yellow ——— TD+</p> <p>3 Orange ——— TD-</p> <p>2 White ——— RD+</p> <p>4 Blue ——— RD-</p> <p>Shield Braid ———</p>

## REVISION HISTORY

rev.	description	date
1.0	initial release	05/09/2024
1.01	CUI Devices rebranded to Same Sky	09/12/2024

The revision history provided is for informational purposes only and is believed to be accurate.



Same Sky offers a one (1) year limited warranty. Complete warranty information is listed on our website.

Same Sky reserves the right to make changes to the product at any time without notice. Information provided by Same Sky is believed to be accurate and reliable. However, no responsibility is assumed by Same Sky for its use, nor for any infringements of patents or other rights of third parties which may result from its use.

Same Sky products are not authorized or warranted for use as critical components in equipment that requires an extremely high level of reliability. A critical component is any component of a life support device or system whose failure to perform can be reasonably expected to cause the failure of the life support device or system, or to affect its safety or effectiveness.

[sameskydevices.com](https://www.sameskydevices.com)