

**SERIES:** CDS-27208-L100 | **DESCRIPTION:** SPEAKER**FEATURES**

- micro-speaker
- high SPL
- 8 ohm impedance
- wire leads

**SPECIFICATIONS**

| parameter               | conditions/description   | min | typ | max    | units              |
|-------------------------|--|-----|-----|--------|--------------------|
| input power             | maximum power: IEC-60268-5, filter 60s on/120s off, 10 cycles at room temp |     | 2.0 | 2.5    | W                  |
| impedance               | at 1.5 kHz, 1.0 V  | 6.8 | 8   | 9.2    | $\Omega$           |
| resonant frequency (Fo) | at 1.0 V   | 680 | 850 | 1,020  | Hz                 |
| frequency response      | output SPL $\pm 10$ dB   | Fo  |     | 20,000 | Hz                 |
| sound pressure level    | at 1.0 W, 0.1 m ave, at 0.8, 1.0, 1.2, 1.5 kHz                             | 92  | 95  | 98     | dB                 |
| distortion              | at 1.0 kHz, 2.0 W  |     |     | 10     | %                  |
| buzz, rattle, etc.      | must be normal at sine wave between Fo ~ 20 kHz                            |     | 4.0 |        | V                  |
| polarity                | cone will move forward with positive dc current to "+" terminal            |     |     |        |                    |
| dimensions              | 27.0 x 20.0 x 5.9  |     |     |        | mm                 |
| magnet                  | Nd-Fe-B  |     |     |        |                    |
| material                | ABS  |     |     |        |                    |
| cone material           | cloth  |     |     |        |                    |
| terminal                | wire leads   |     |     |        |                    |
| weight                  |  |     | 9.6 |        | g                  |
| operating temperature   |  | -20 |     | 55     | $^{\circ}\text{C}$ |
| storage temperature     |  | -30 |     | 70     | $^{\circ}\text{C}$ |
| RoHS                    | yes  |     |     |        |                    |

Notes: 1. All specifications measured at 5-35 $^{\circ}\text{C}$ , humidity at 45-85%, under 86-106kPa pressure, unless otherwise noted.

**PART NUMBER KEY****CDS-27208-L100 X**

Base Number

Termination Style:

"blank" = wire leads, no connector

1 = JST housing SHR-2V-S-B

2 = JST housing ZHR-2

3 = JST housing PHR-2

4 = JST housing HER-2

5\* = JST housing PHR-4

6 = Molex housing 51021-0200

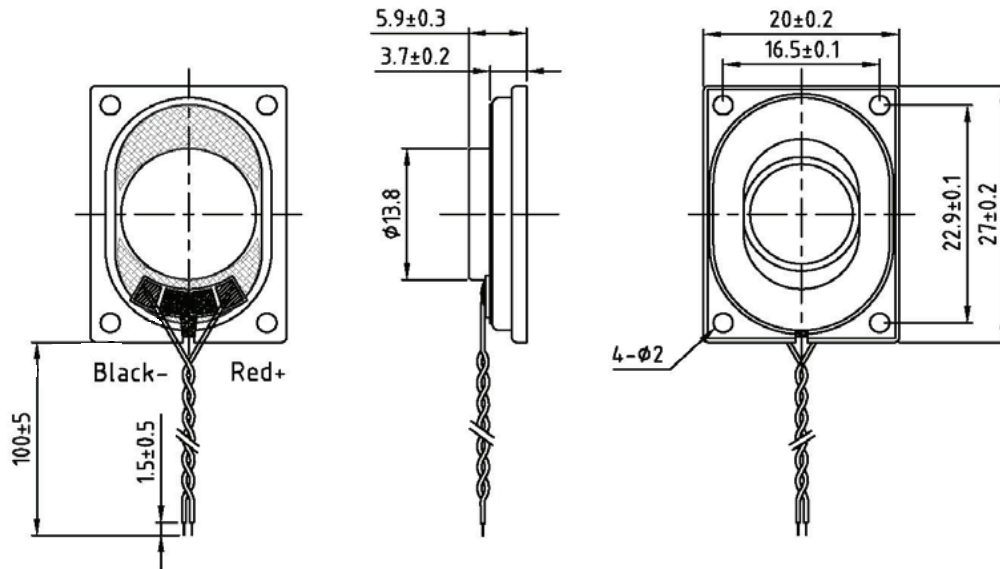
Notes: \*Discontinued JST housing PHR-4 option.

## MECHANICAL DRAWING

units: mm

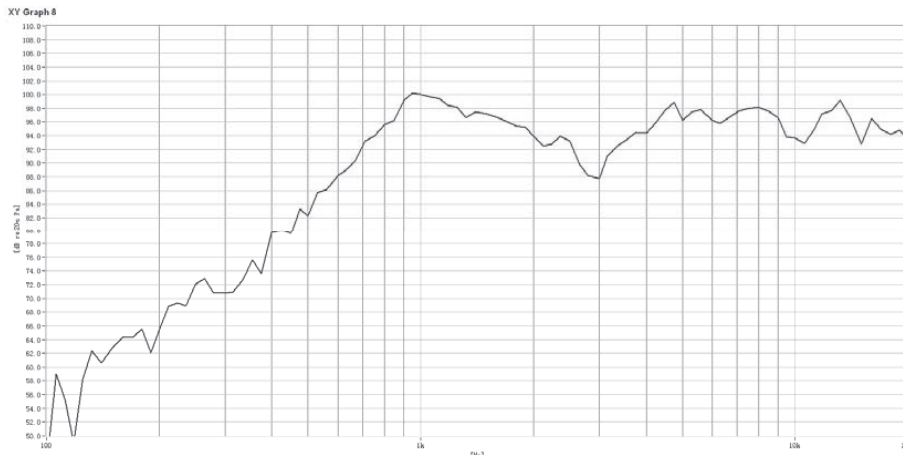
tolerance:  $\pm 0.3$  mm

wire: UL3302 HF 32 AWG

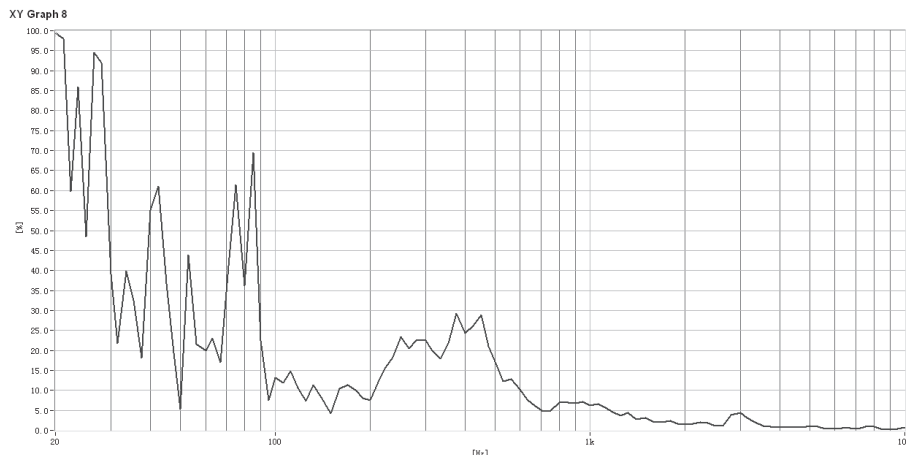


## RESPONSE CURVES

Frequency Response Curve



Total Harmonic Distortion Curve



## REVISION HISTORY

| rev. | description                           | date       |
|------|---------------------------------------|------------|
| 1.0  | initial release                       | 03/25/2015 |
| 1.01 | added connector options               | 07/15/2016 |
| 1.02 | discontinued JST housing PHR-4 option | 07/01/2019 |
| 1.03 | brand update                          | 01/22/2020 |
| 1.04 | logo, datasheet style update          | 08/05/2022 |
| 1.05 | CUI Devices rebranded to Same Sky     | 09/11/2024 |

The revision history provided is for informational purposes only and is believed to be accurate.



Same Sky offers a one (1) year limited warranty. Complete warranty information is listed on our website.

Same Sky reserves the right to make changes to the product at any time without notice. Information provided by Same Sky is believed to be accurate and reliable. However, no responsibility is assumed by Same Sky for its use, nor for any infringements of patents or other rights of third parties which may result from its use.

Same Sky products are not authorized or warranted for use as critical components in equipment that requires an extremely high level of reliability. A critical component is any component of a life support device or system whose failure to perform can be reasonably expected to cause the failure of the life support device or system, or to affect its safety or effectiveness.

[sameskydevices.com](https://www.sameskydevices.com)