

MODEL: CDS-4028-16 | **DESCRIPTION:** SPEAKER

FEATURES

- 16 Ohm
- rated 2.0 W
- solder eyelets

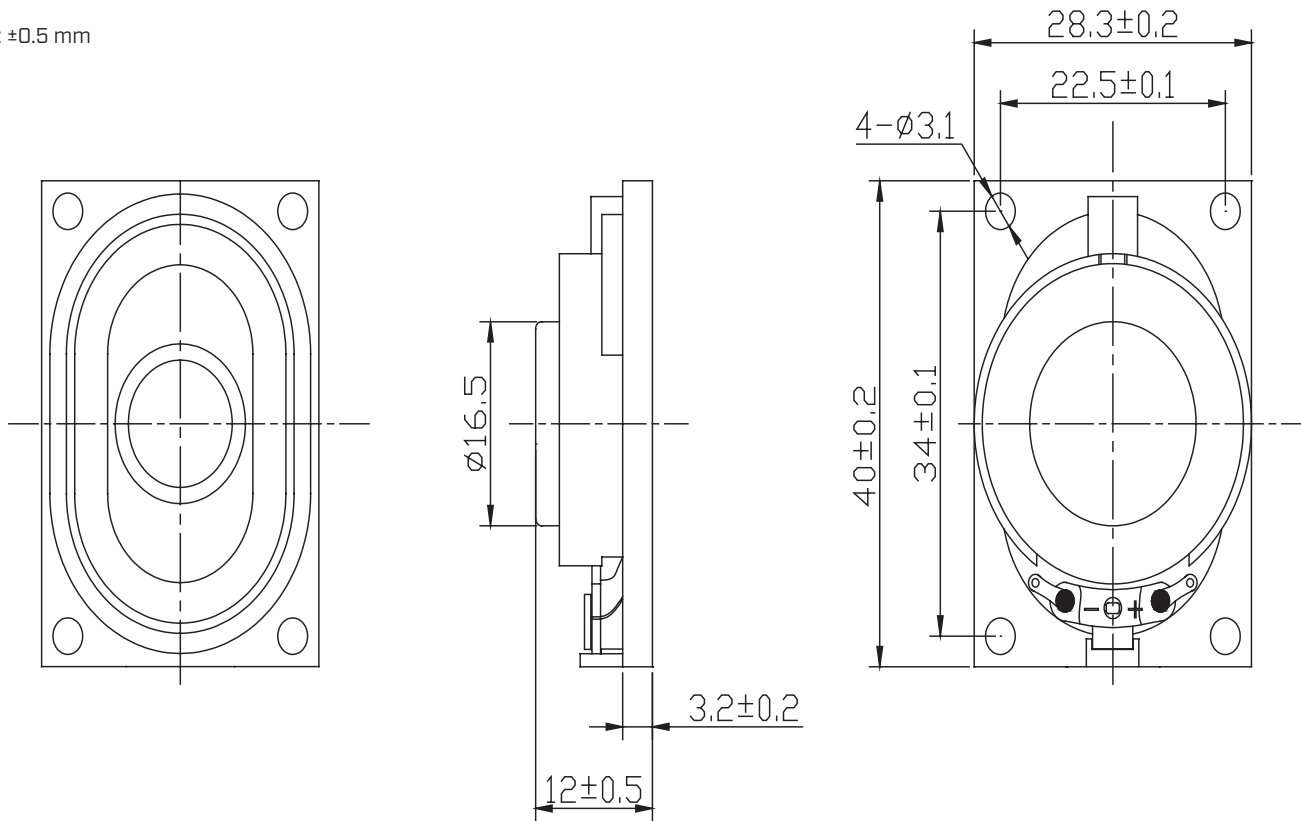

SPECIFICATIONS

parameter	conditions/description	min	typ	max	units
input power	max power: 1 minute on, 2 minutes off, 10 cycles		2.0	3.0	W
impedance	at 1.0 kHz, 1.0 V	13.6	16	18.4	Ω
resonant frequency (Fo)	at 1.0 V	360	450	540	Hz
frequency response		200		20,000	Hz
sound pressure level	at 1.0 W, 0.5 m, avg at 0.8, 1.0, 1.2, 1.5 kHz in baffleboard	83	86	89	dB
distortion	at 1.0 kHz, 1.0 V			5	%
buzz, rattle, etc.	must be normal at sine wave, between 200 ~ 2,000 Hz			5.65	V
polarity	cone moves forward w/ positive dc current to "+" terminal				
dimensions	40 x 28.3 x 12.0				mm
magnet	Nd-Fe-B				
frame material	ABS (black)				
cone material	cloth				
terminal	solder eyelets				
weight			15.0		g
operating temperature		-20		50	$^{\circ}\text{C}$
storage temperature		-30		60	$^{\circ}\text{C}$
hand soldering	for maximum 2 seconds			380	$^{\circ}\text{C}$
RoHS	yes				

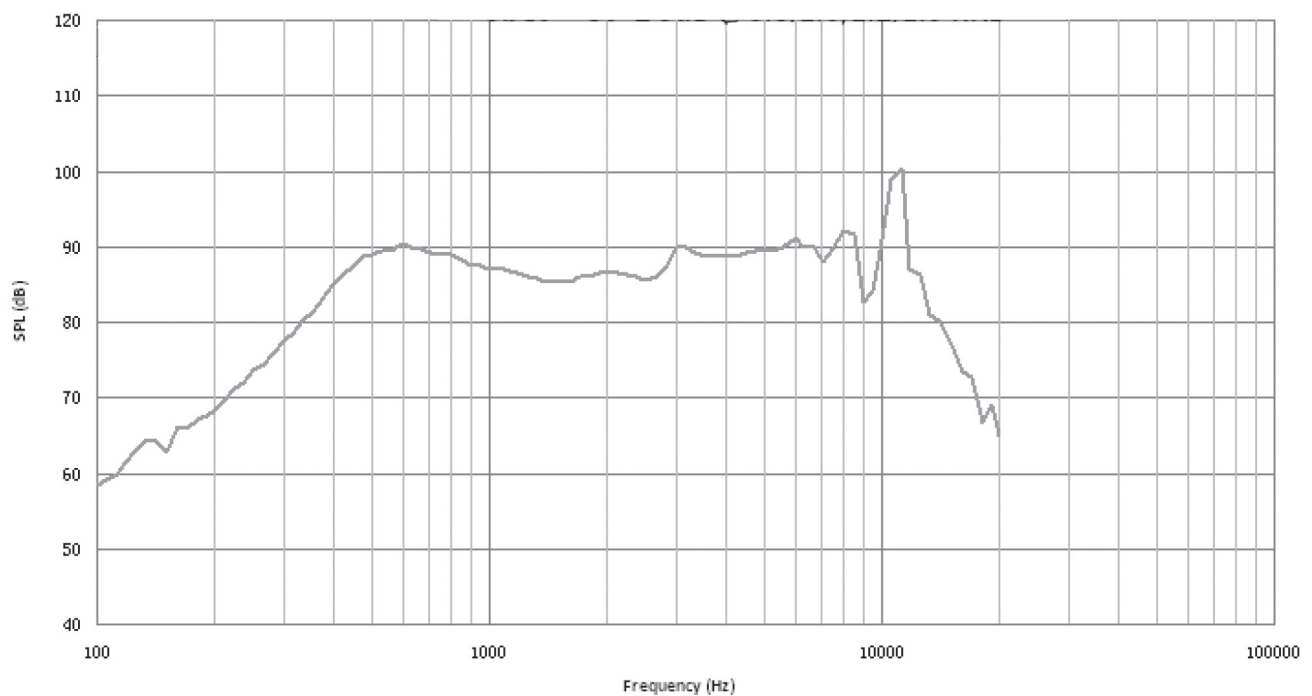
Notes: 1. All specifications measured at 15-35 $^{\circ}\text{C}$, humidity at 45-85%, under 86-106 kPa pressure, unless otherwise noted.

MECHANICAL DRAWING

units: mm
tolerance: ± 0.5 mm



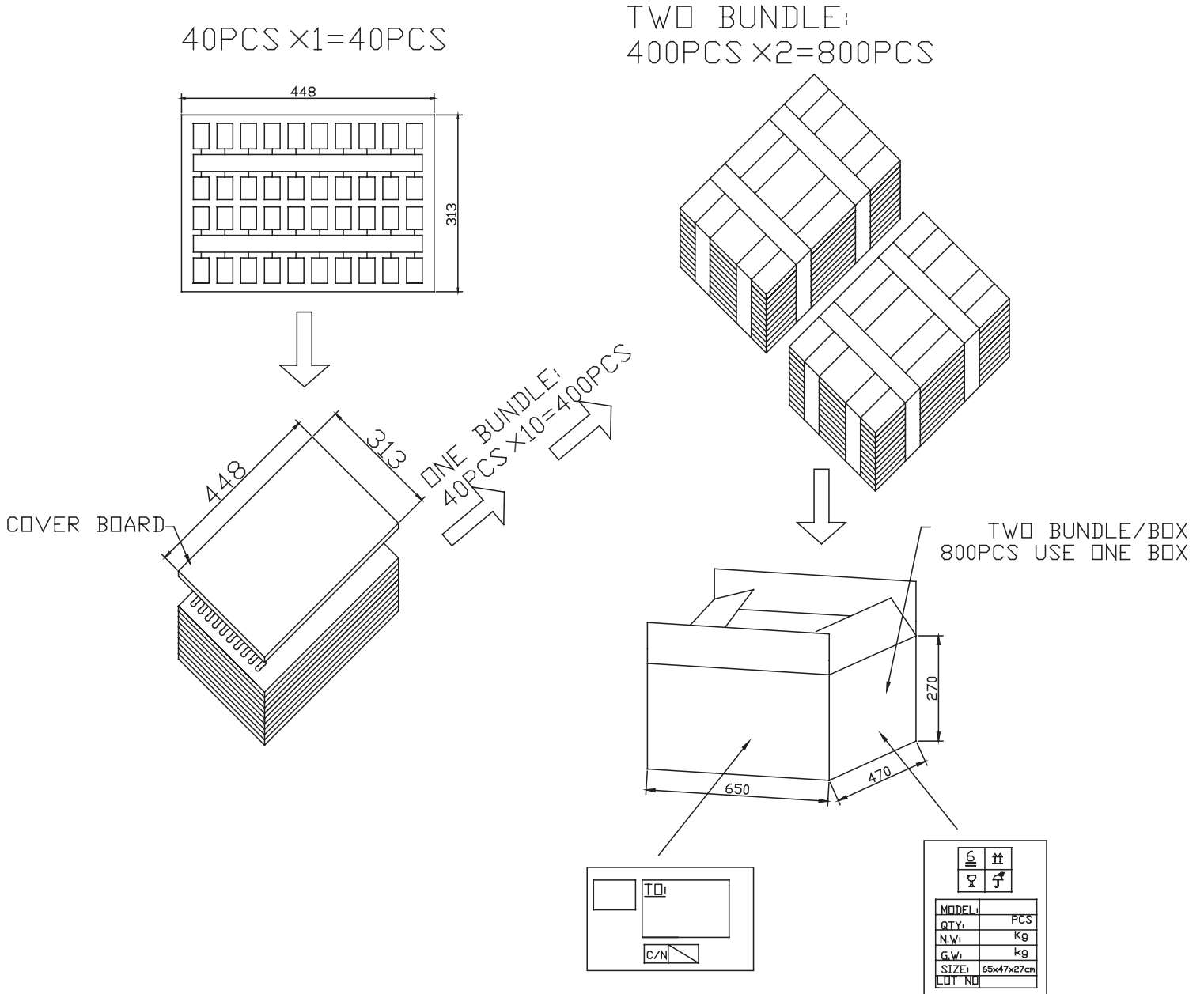
FREQUENCY RESPONSE CURVE



PACKAGING

units: mm

Tray Size: 448 x 313 mm
 Tray QTY: 40 pcs per tray
 Carton Size: 650 x 470 x 205 mm
 Carton QTY: 800 pcs per carton



REVISION HISTORY

rev.	description	date
1.0	initial release	11/22/2021
1.01	logo, datasheet style update	08/05/2022
1.02	CUI Devices rebranded to Same Sky	09/11/2024

The revision history provided is for informational purposes only and is believed to be accurate.



Same Sky offers a one (1) year limited warranty. Complete warranty information is listed on our website.

Same Sky reserves the right to make changes to the product at any time without notice. Information provided by Same Sky is believed to be accurate and reliable. However, no responsibility is assumed by Same Sky for its use, nor for any infringements of patents or other rights of third parties which may result from its use.

Same Sky products are not authorized or warranted for use as critical components in equipment that requires an extremely high level of reliability. A critical component is any component of a life support device or system whose failure to perform can be reasonably expected to cause the failure of the life support device or system, or to affect its safety or effectiveness.

[sameskydevices.com](https://www.sameskydevices.com)