


MODEL: CDS-4553-16-SP | **DESCRIPTION:** SPEAKER

FEATURES

- 16 Ohm
- rated 1.0 W
- solder pads

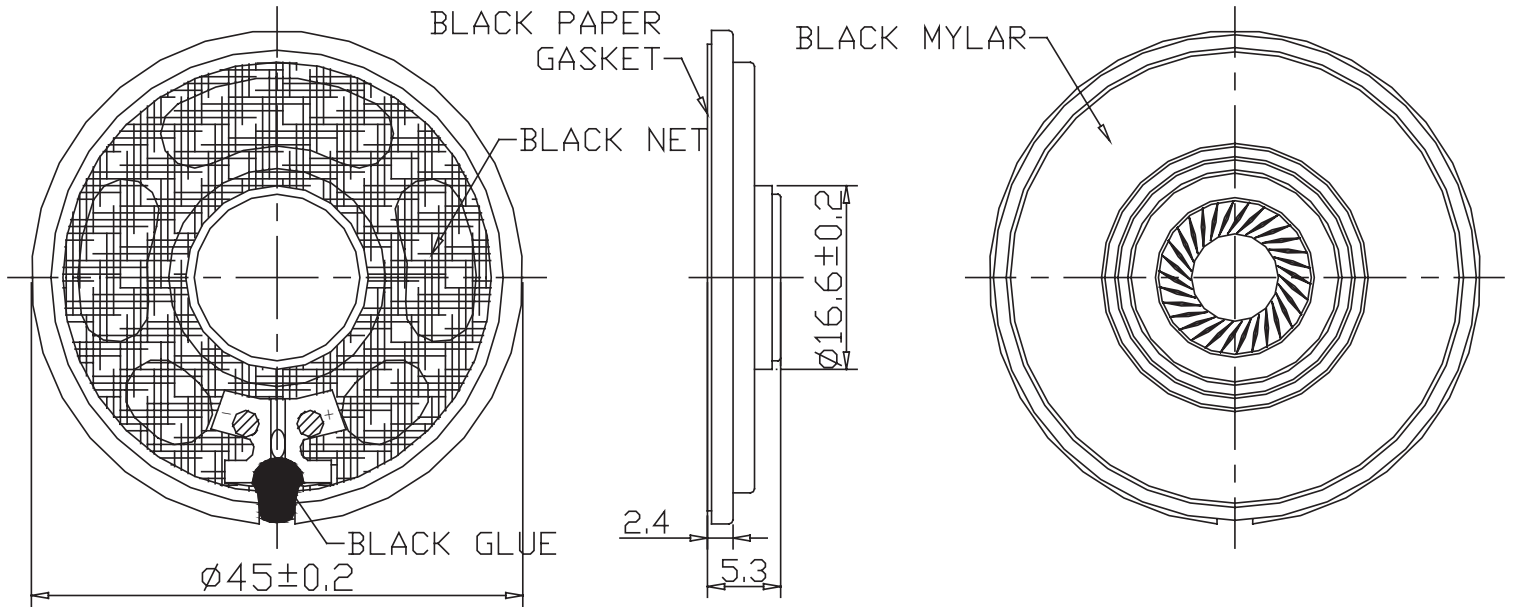

SPECIFICATIONS

parameter	conditions/description	min	typ	max	units
input power	max power: 1 minute on, 2 minutes off, 10 cycles		1.0	2.0	W
impedance	at 2.0 kHz, 1.0 V	13.6	16	18.4	Ω
resonant frequency (Fo)	at 1.0 V	400	500	600	Hz
frequency response		Fo		6,000	Hz
sound pressure level	in baffleboard				
	at 0.1 W, 0.1 m, avg at 0.6, 0.8, 1.0, 1.2 kHz	87	90	93	dB
	at 1.0 W, 1.0 m, avg at 0.6, 0.8, 1.0, 1.2 kHz	77	80	83	dB
distortion	at 1.0 kHz, rated power			10	%
buzz, rattle, etc.	must be normal at sine wave, between Fo ~ 6,000 Hz			4.0	V
polarity	cone moves forward w/ positive dc current to "+" terminal				
dimensions	$\varnothing 45 \times 5.3$				mm
magnet	Nd-Fe-B				
frame material	SPCC				
cone material	PET (black)				
terminal	solder pads				
weight			10.2		g
operating temperature		-30		60	$^{\circ}\text{C}$
storage temperature		-30		60	$^{\circ}\text{C}$
hand soldering	for maximum 2 seconds			380	$^{\circ}\text{C}$
RoHS	yes				

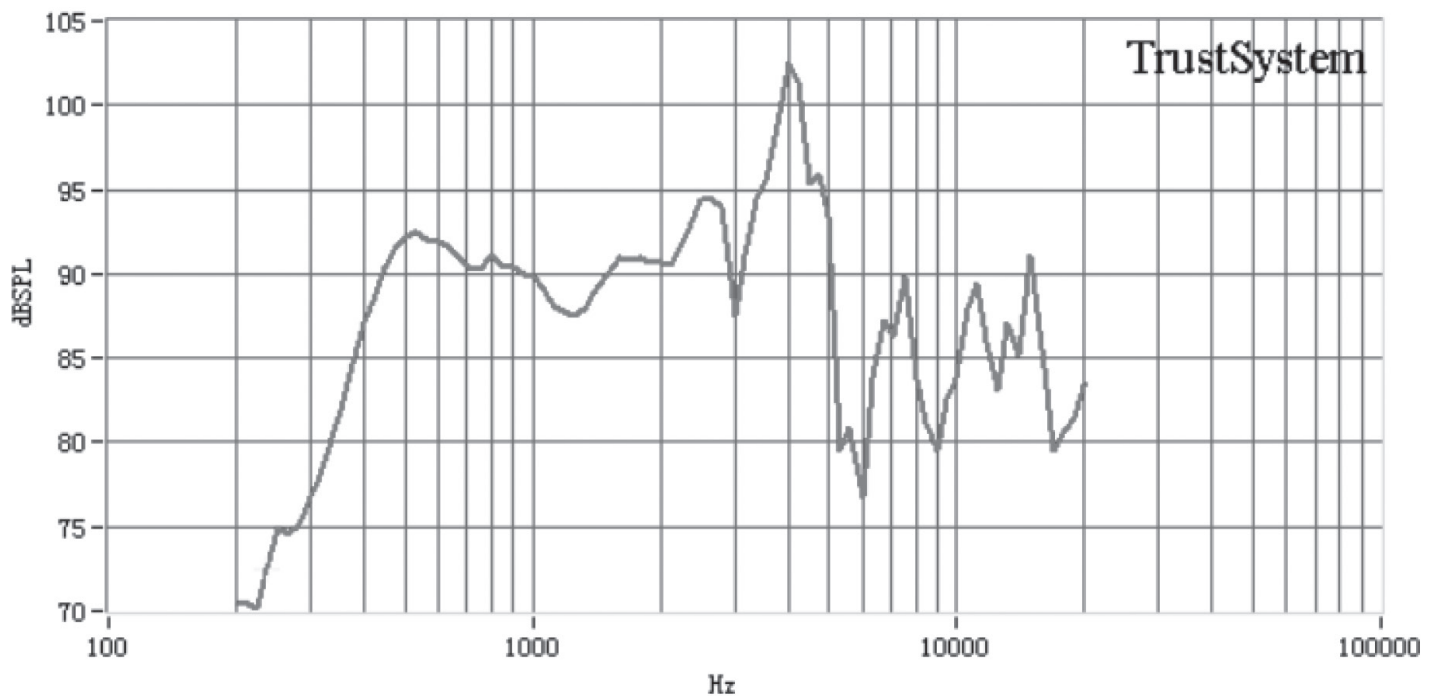
Notes: 1. All specifications measured at 15-35 $^{\circ}\text{C}$, humidity at 45-85%, under 86-106 kPa pressure, unless otherwise noted.

MECHANICAL DRAWING

units: mm
tolerance: ± 0.3 mm



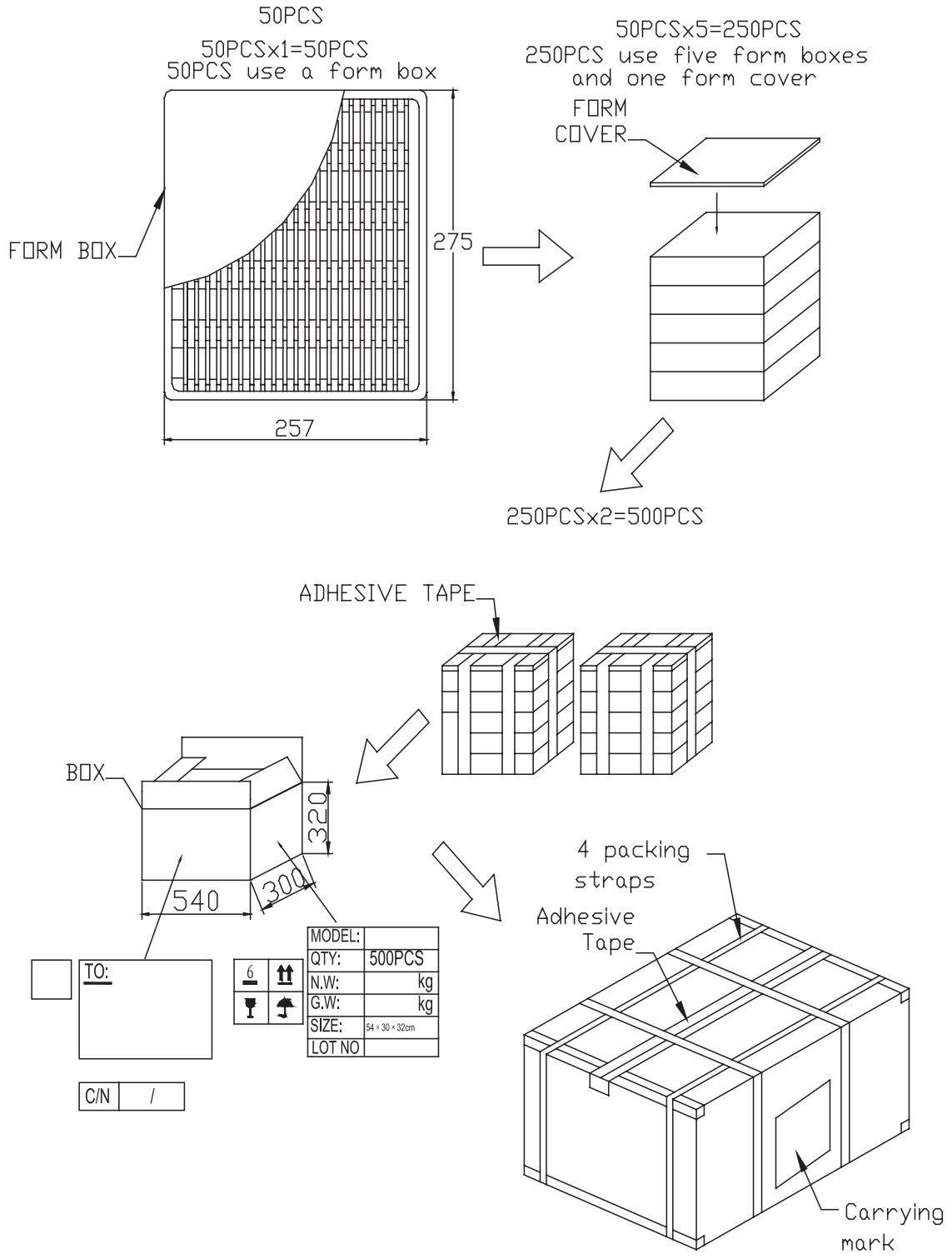
FREQUENCY RESPONSE CURVE



PACKAGING

units: mm

Tray Size: 275 x 257 mm
 Tray QTY: 50 pcs per tray
 Carton Size: 540 x 300 x 320 mm
 Carton QTY: 500 pcs per carton



REVISION HISTORY

rev.	description	date
1.0	initial release	11/22/2021
1.01	logo, datasheet style update	08/05/2022
1.02	CUI Devices rebranded to Same Sky	09/11/2024

The revision history provided is for informational purposes only and is believed to be accurate.

The logo for Same Sky, featuring the words "same sky" in a lowercase, sans-serif font. "same" is in a dark purple color and "sky" is in a lighter purple color.

Same Sky offers a one (1) year limited warranty. Complete warranty information is listed on our website.

Same Sky reserves the right to make changes to the product at any time without notice. Information provided by Same Sky is believed to be accurate and reliable. However, no responsibility is assumed by Same Sky for its use, nor for any infringements of patents or other rights of third parties which may result from its use.

Same Sky products are not authorized or warranted for use as critical components in equipment that requires an extremely high level of reliability. A critical component is any component of a life support device or system whose failure to perform can be reasonably expected to cause the failure of the life support device or system, or to affect its safety or effectiveness.

[sameskydevices.com](https://www.sameskydevices.com)