

MODEL: CDS-5719-038E | **DESCRIPTION:** SPEAKER

FEATURES

- PET cone
- 0.3 W
- solder eyelets

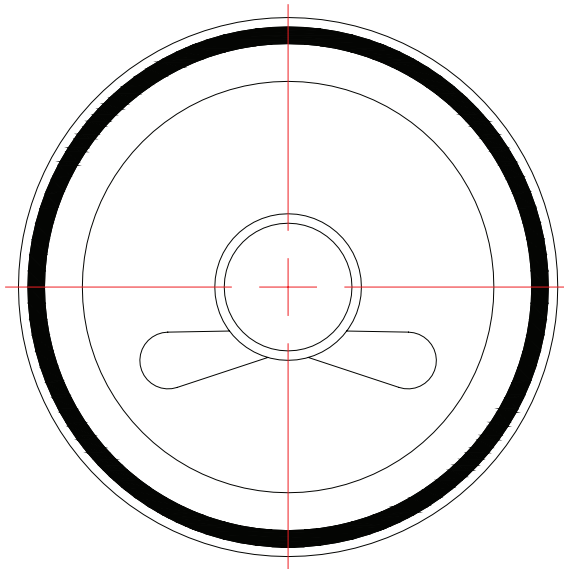
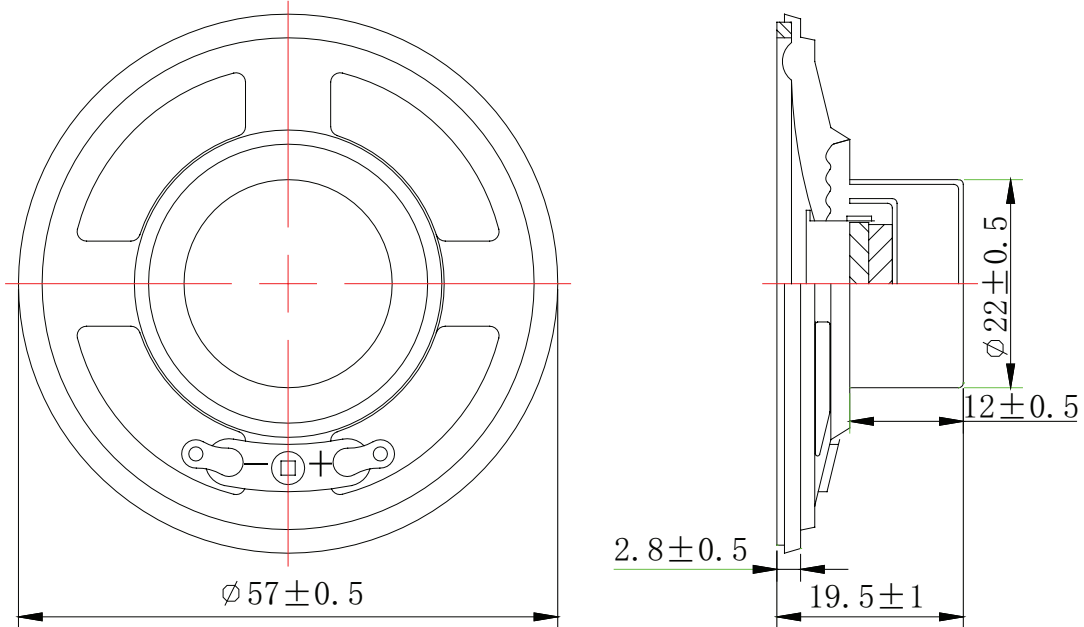

SPECIFICATIONS

parameter	conditions/description	min	typ	max	units
input power			0.3	0.6	W
impedance	at 1 kHz, 0.1 W	6.8	8	9.2	Ω
resonant frequency (Fo)	at 1.0 W	360	450	540	Hz
frequency response		Fo		5,000	Hz
sound pressure level	at 0.1 W, 10 cm, avg at 0.6, 0.8, 1.0, 1.2 kHz	89	92	95	dB
	at 0.3 W, 10 cm, avg at 0.6, 0.8, 1.0, 1.2 kHz	93.5	96.5	99.5	dB
distortion	at 2.0 kHz, 0.1 W			5	%
buzz, rattle, etc.	must be normal at sine wave between Fo Hz ~ 5 kHz			1.55	V
polarity	cone moves forward w/ positive dc current to "+" terminal				
dimensions	$\varnothing 57 \times 19.5$				mm
magnet	Nd-Fe-B				
frame material	SPCC				
cone material	PET				
terminal	solder eyelets				
weight		29.44	32.00	34.56	g
operating temperature		-30		60	$^{\circ}\text{C}$
storage temperature		-40		65	$^{\circ}\text{C}$
hand soldering	for 3~5 seconds	370	380	390	$^{\circ}\text{C}$
RoHS	yes				

Notes: 1. All specifications measured at 15~35 $^{\circ}\text{C}$, humidity at 45~85%, under 86~106 kPa pressure, unless otherwise noted.

MECHANICAL DRAWING

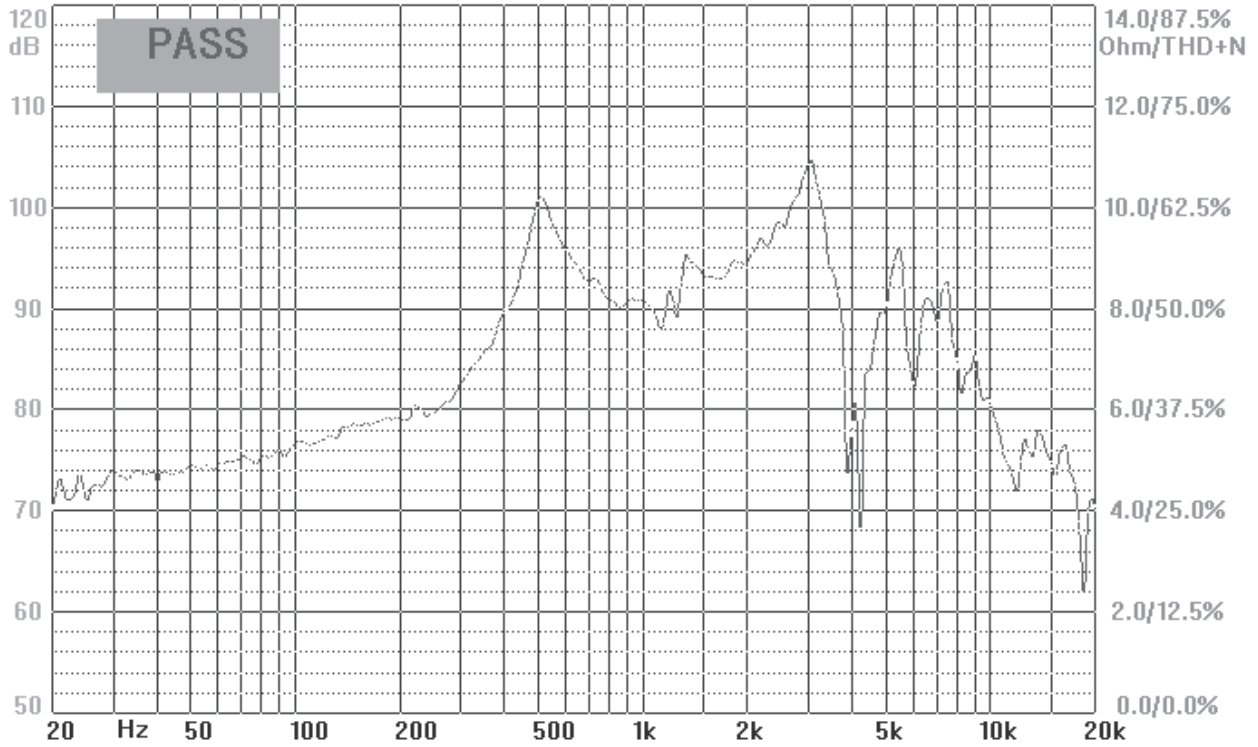
units: mm
tolerance: ± 0.5 mm



RESPONSE CURVE

Frequency Response Curve

Test Conditions: 0.1 W/0.1 m



REVISION HISTORY

rev.	description	date
1.0	initial release	09/10/2024

The revision history provided is for informational purposes only and is believed to be accurate.



Same Sky offers a one (1) year limited warranty. Complete warranty information is listed on our website.

Same Sky reserves the right to make changes to the product at any time without notice. Information provided by Same Sky is believed to be accurate and reliable. However, no responsibility is assumed by Same Sky for its use, nor for any infringements of patents or other rights of third parties which may result from its use.

Same Sky products are not authorized or warranted for use as critical components in equipment that requires an extremely high level of reliability. A critical component is any component of a life support device or system whose failure to perform can be reasonably expected to cause the failure of the life support device or system, or to affect its safety or effectiveness.

[sameskydevices.com](https://www.sameskydevices.com)