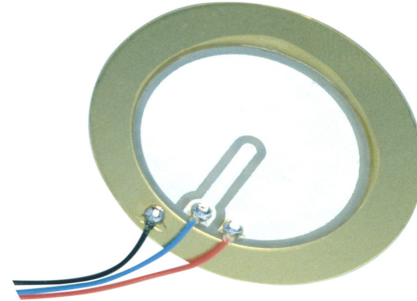




MODEL: CEB-35FD29 | **DESCRIPTION:** PIEZOELECTRIC DIAPHRAGM

FEATURES

- piezo element
- flexibility to design housing
- feedback loop



SPECIFICATIONS

parameter	conditions/description	min	typ	max	units
operating voltage				30	Vp-p
resonant frequency		2,400	2,900	3,400	Hz
resonant impedance	only for piezo element without wire			500	Ω
electrostatic capacity	at 1 kHz / 1 V	17,500	25,000	32,500	pF
dimensions	$\varnothing 35 \times 0.63$				mm
weight				3.5	g
material	brass				
terminal	wire type				
operating temperature		-20		70	$^{\circ}\text{C}$
storage temperature		-30		80	$^{\circ}\text{C}$
RoHS	yes				

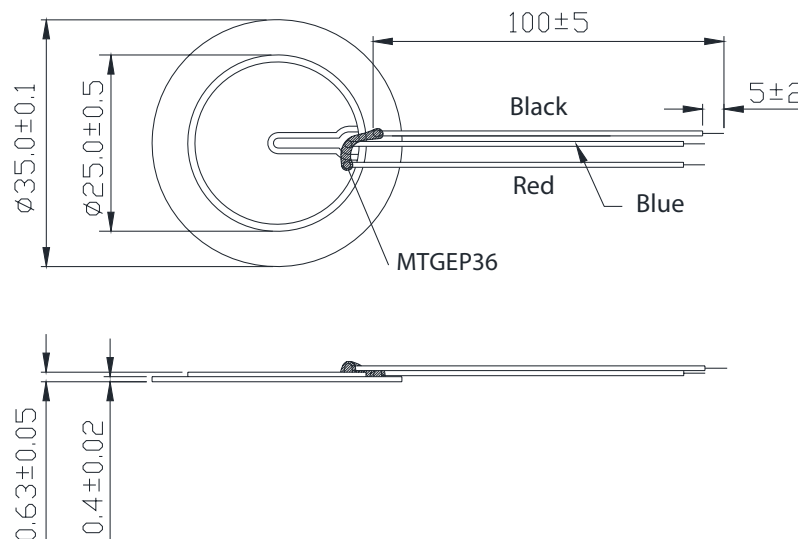
Notes: 1. All specifications measured at 5-35 $^{\circ}\text{C}$, humidity at 45-85%, under 86-106kPa pressure, unless otherwise noted.

MECHANICAL DRAWING

units: mm

tolerance: ± 0.5 mm

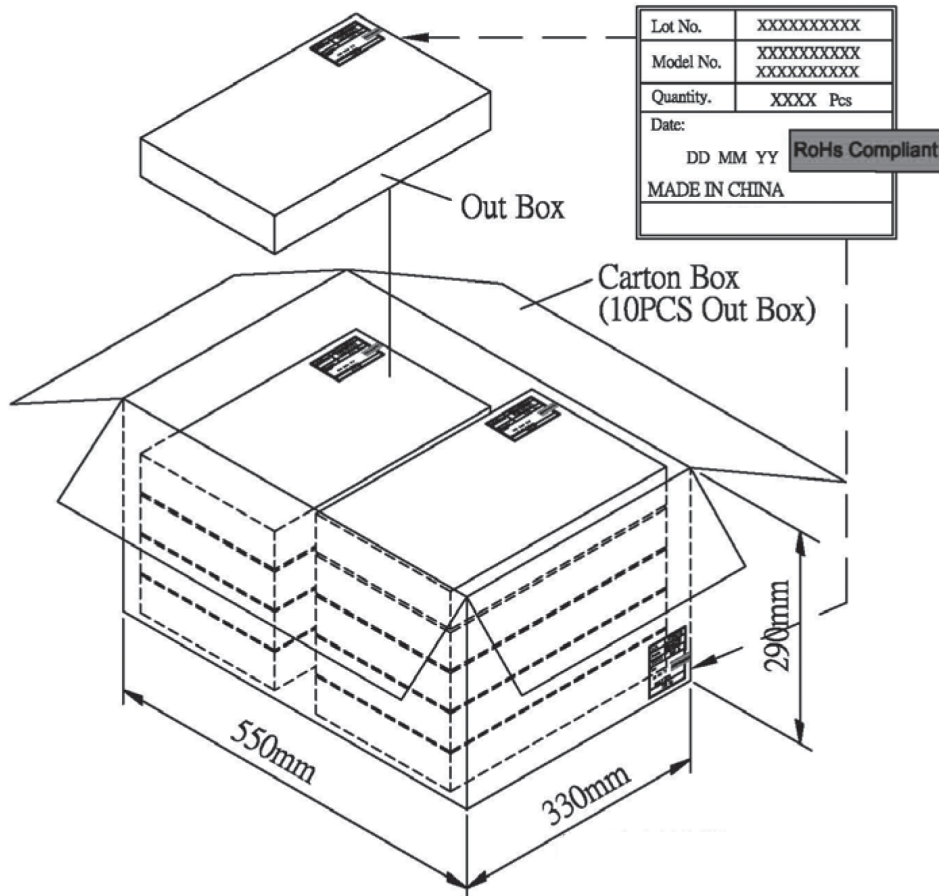
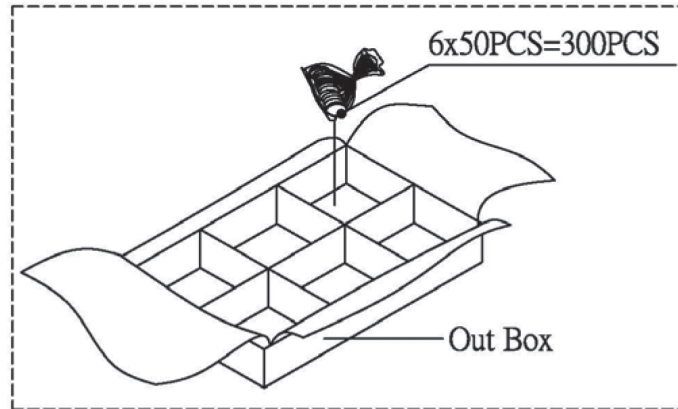
wire: UL 1571 32 AWG



PACKAGING

units: mm

Inner Box QTY: 300 pcs per box
 Carton Size: 550 x 330 x 290 mm
 Carton QTY: 3,000 pcs per carton



REVISION HISTORY

rev.	description	date
1.0	initial release	06/25/2007
1.01	increased depth to 0.63 mm	03/08/2018
1.02	brand update	03/16/2020
1.03	logo, datasheet style update	08/05/2022
1.04	CUI Devices rebranded to Same Sky	09/11/2024

The revision history provided is for informational purposes only and is believed to be accurate.



Same Sky offers a one (1) year limited warranty. Complete warranty information is listed on our website.

Same Sky reserves the right to make changes to the product at any time without notice. Information provided by Same Sky is believed to be accurate and reliable. However, no responsibility is assumed by Same Sky for its use, nor for any infringements of patents or other rights of third parties which may result from its use.

Same Sky products are not authorized or warranted for use as critical components in equipment that requires an extremely high level of reliability. A critical component is any component of a life support device or system whose failure to perform can be reasonably expected to cause the failure of the life support device or system, or to affect its safety or effectiveness.

[sameskydevices.com](https://www.sameskydevices.com)