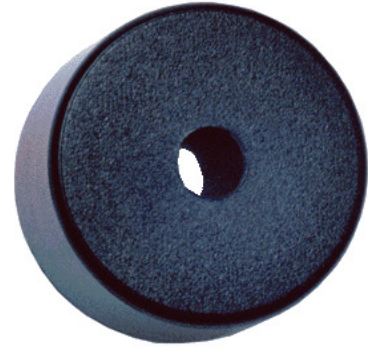


MODEL: CEP-1106 | DESCRIPTION: PIEZO BUZZER TRANSDUCER

FEATURES

- piezo transducer with pin mount
- 88 dB SPL
- 2,400 Hz rated frequency



SPECIFICATIONS

| parameter | conditions/description | min | typ | max | units |
|------------------------|---|--------|--------|---------|-------|
| operating voltage | | | | 30 | Vp-p |
| current consumption | at 10 Vp-p, 2,400 Hz square wave | | | 18 | mA |
| rated frequency | | | 2,400 | | Hz |
| sound pressure level | at 10 cm, 10 Vp-p, 2,400 Hz square wave | 88 | | | dB |
| electrostatic capacity | at 1 kHz/1 V | 56,000 | 80,000 | 104,000 | pF |
| dimensions | Ø22.8 x 13.5 | | | | mm |
| weight | | | | 11.6 | g |
| material | ABS PA-777D (black) | | | | |
| terminal | pin type (Sn plating) | | | | |
| operating temperature | | -30 | | 85 | °C |
| storage temperature | | -40 | | 95 | °C |
| RoHS | yes | | | | |

Notes: 1. All specifications measured at 5-35°C, humidity at 45-85%, under 86-106kPa pressure, unless otherwise noted.

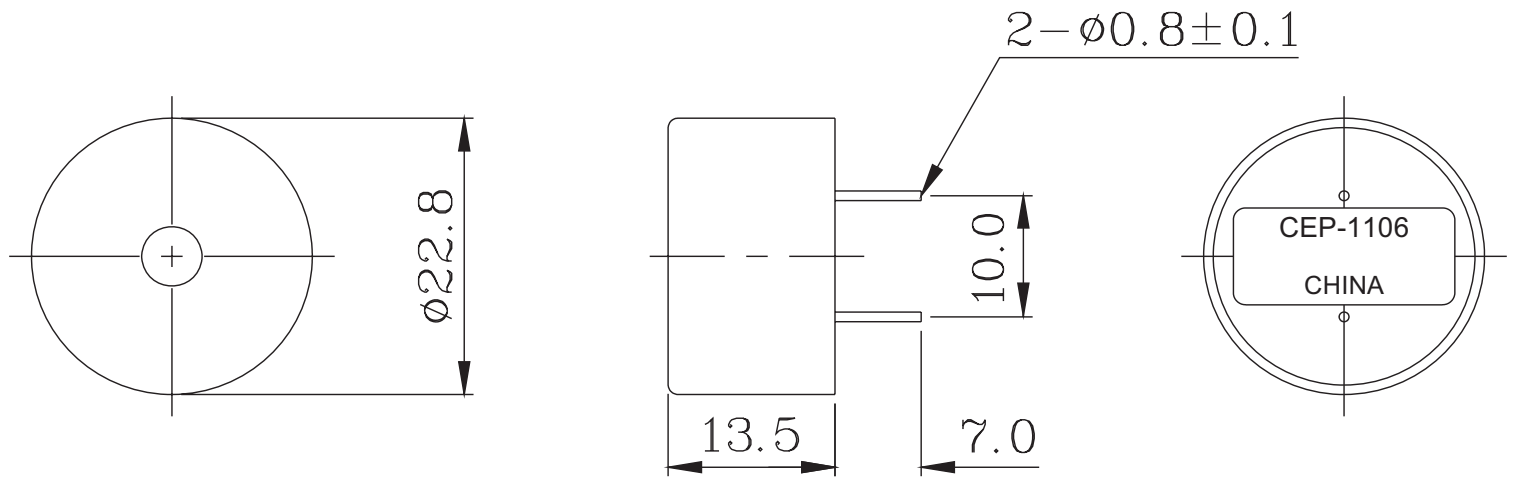
SOLDERABILITY

| parameter | conditions/description | min | typ | max | units |
|-----------------------------|------------------------|-----|-----|-----|-------|
| hand soldering ² | for maximum 2 seconds | 330 | | 380 | °C |

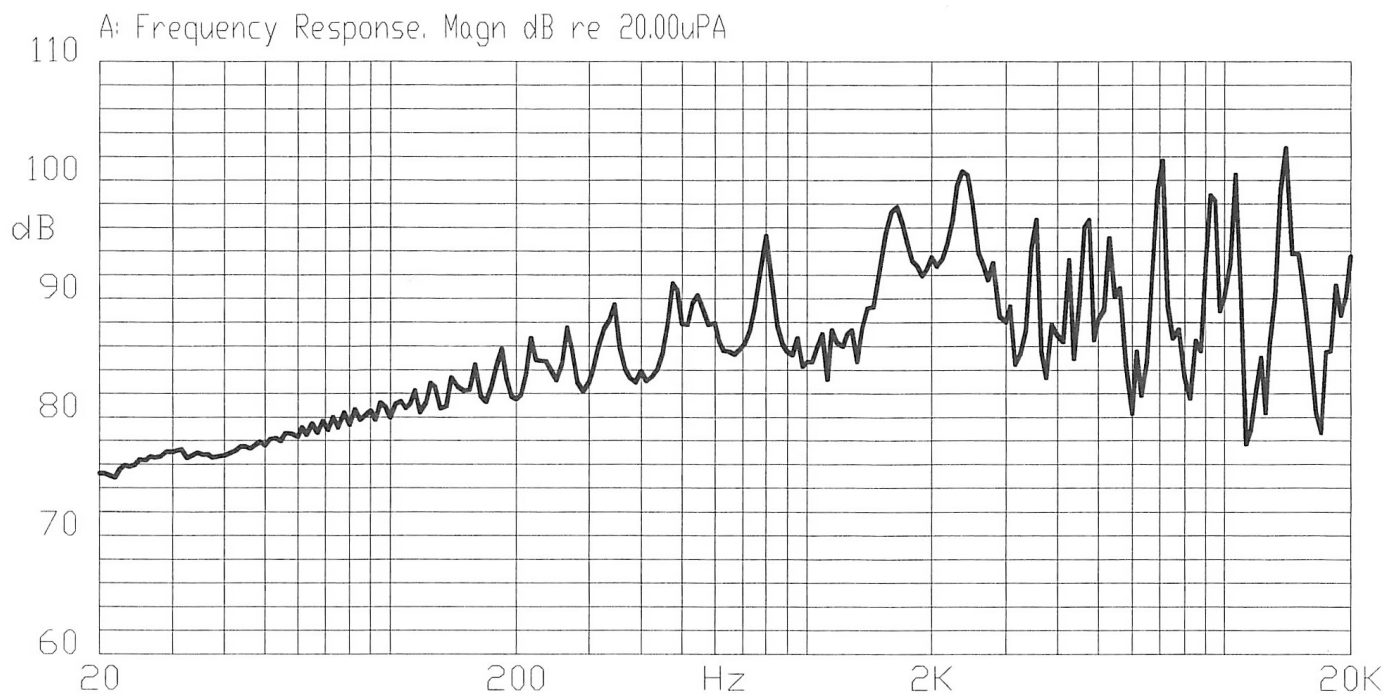
Notes: 2. Not recommended for wave soldering

MECHANICAL DRAWING

units: mm
tolerance: ± 0.5 mm



FREQUENCY RESPONSE CURVE



REVISION HISTORY

| rev. | description | date |
|------|-----------------------------------|------------|
| 1.0 | initial release | 09/18/2006 |
| 1.01 | brand update | 03/12/2020 |
| 1.02 | logo, datasheet style update | 08/05/2022 |
| 1.03 | CUI Devices rebranded to Same Sky | 09/11/2024 |

The revision history provided is for informational purposes only and is believed to be accurate.



Same Sky offers a one (1) year limited warranty. Complete warranty information is listed on our website.

Same Sky reserves the right to make changes to the product at any time without notice. Information provided by Same Sky is believed to be accurate and reliable. However, no responsibility is assumed by Same Sky for its use, nor for any infringements of patents or other rights of third parties which may result from its use.

Same Sky products are not authorized or warranted for use as critical components in equipment that requires an extremely high level of reliability. A critical component is any component of a life support device or system whose failure to perform can be reasonably expected to cause the failure of the life support device or system, or to affect its safety or effectiveness.

[sameskydevices.com](https://www.sameskydevices.com)