

MODEL: CEP-1162 | DESCRIPTION: PIEZO BUZZER TRANSDUCER

FEATURES

- piezo transducer with pin mount
- 85 dB SPL
- 4,000 Hz rated frequency



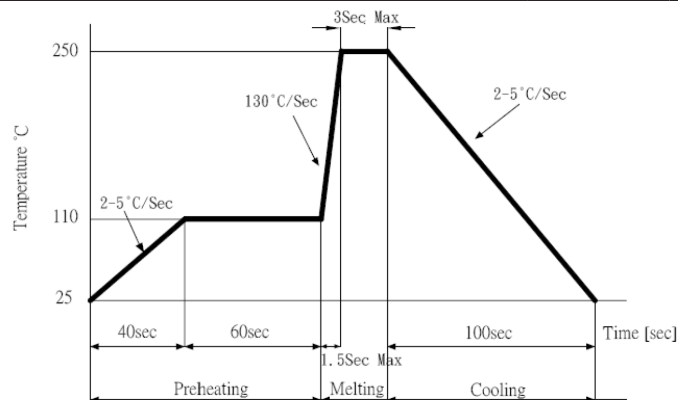
SPECIFICATIONS

parameter	conditions/description	min	typ	max	units
operating voltage				20	Vp-p
current consumption	at 10 Vp-p, 4,000 Hz square wave			7	mA
rated frequency			4,000		Hz
sound pressure level	at 10 cm, 10V p-p, 4,000 Hz square wave	85			dB
electrostatic capacity	at 120 Hz/1 V	9,100	13,000	16,900	pF
dimensions	Ø14.0 x 7.0				mm
weight				1.0	g
material	PBT+30%GF UL94V-0 (black)				
terminal	pin type (tin plating)				
operating temperature		-40		85	°C
storage temperature		-40		90	°C
washable	yes				
RoHS	yes				

Notes: 1. All specifications measured at 5-35°C, humidity at 45-85%, under 86-106kPa pressure, unless otherwise noted.

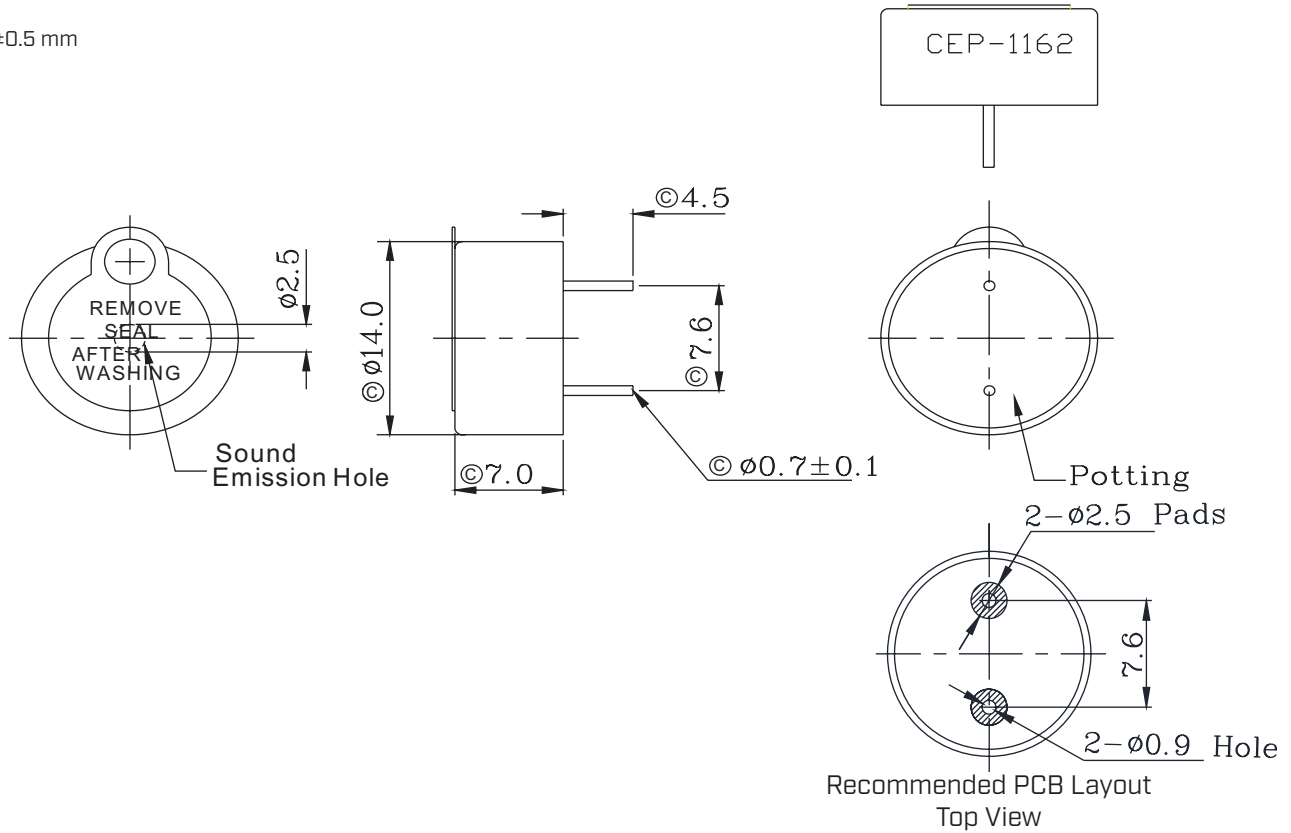
SOLDERABILITY

parameter	conditions/description	min	typ	max	units
hand soldering	for maximum 2 seconds	330		380	°C
wave soldering	see wave solder profile below			250	°C

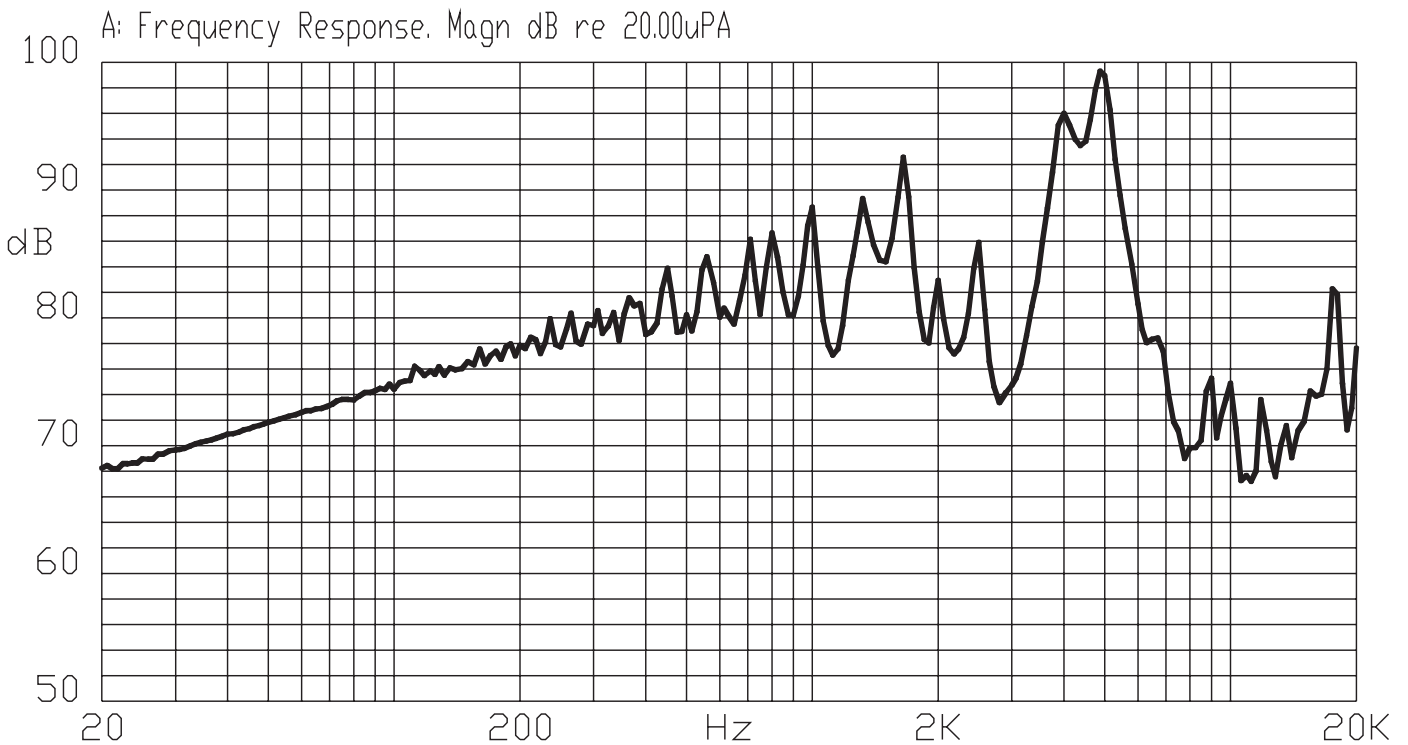


MECHANICAL DRAWING

units: mm
tolerance: ±0.5 mm



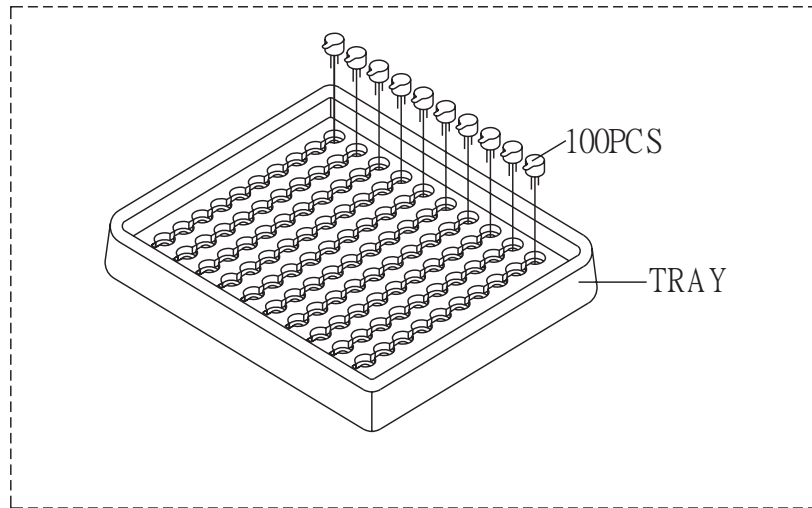
FREQUENCY RESPONSE CURVE



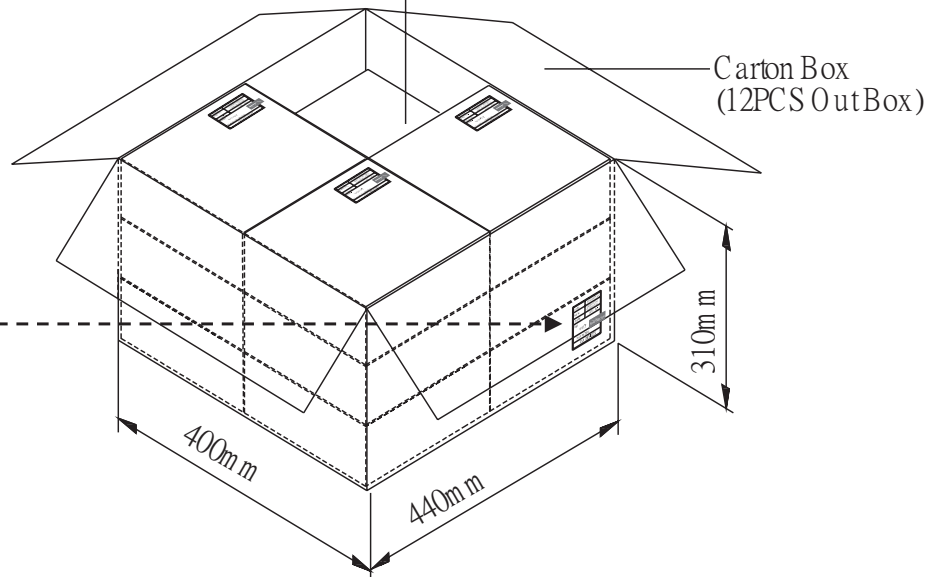
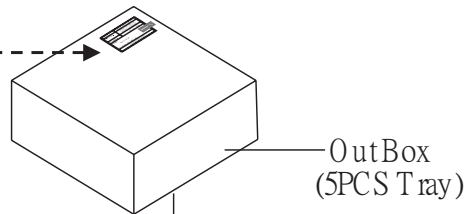
PACKAGING

units: mm

Tray Size: 184 x 180 x 23 mm
 Tray QTY: 100 pcs per tray
 Carton Size: 440 x 400 x 310 mm
 Carton QTY: 6,000 pcs per carton



Lot No.	XXXXXXXXXX
Part No.	XXXXXXXXXX XXXXXXXXXX
Quantity.	XXXX Pcs
Date:	WWYY
RoHs Compliant	
MADE IN CHINA	



REVISION HISTORY

rev.	description	date
1.0	initial release	05/24/2006
1.01	brand update	04/22/2020
1.02	changed housing material, modified design	07/09/2021
1.03	logo, datasheet style update	08/05/2022
1.04	CUI Devices rebranded to Same Sky	09/11/2024

The revision history provided is for informational purposes only and is believed to be accurate.



Same Sky offers a one (1) year limited warranty. Complete warranty information is listed on our website.

Same Sky reserves the right to make changes to the product at any time without notice. Information provided by Same Sky is believed to be accurate and reliable. However, no responsibility is assumed by Same Sky for its use, nor for any infringements of patents or other rights of third parties which may result from its use.

Same Sky products are not authorized or warranted for use as critical components in equipment that requires an extremely high level of reliability. A critical component is any component of a life support device or system whose failure to perform can be reasonably expected to cause the failure of the life support device or system, or to affect its safety or effectiveness.

[sameskydevices.com](https://www.sameskydevices.com)