

MODEL: CES-403015-24130L | **DESCRIPTION:** SPEAKER**FEATURES**

- 2 W rated power
- 130 mm lead wire
- 4 ohm rated impedance

**SPECIFICATIONS**

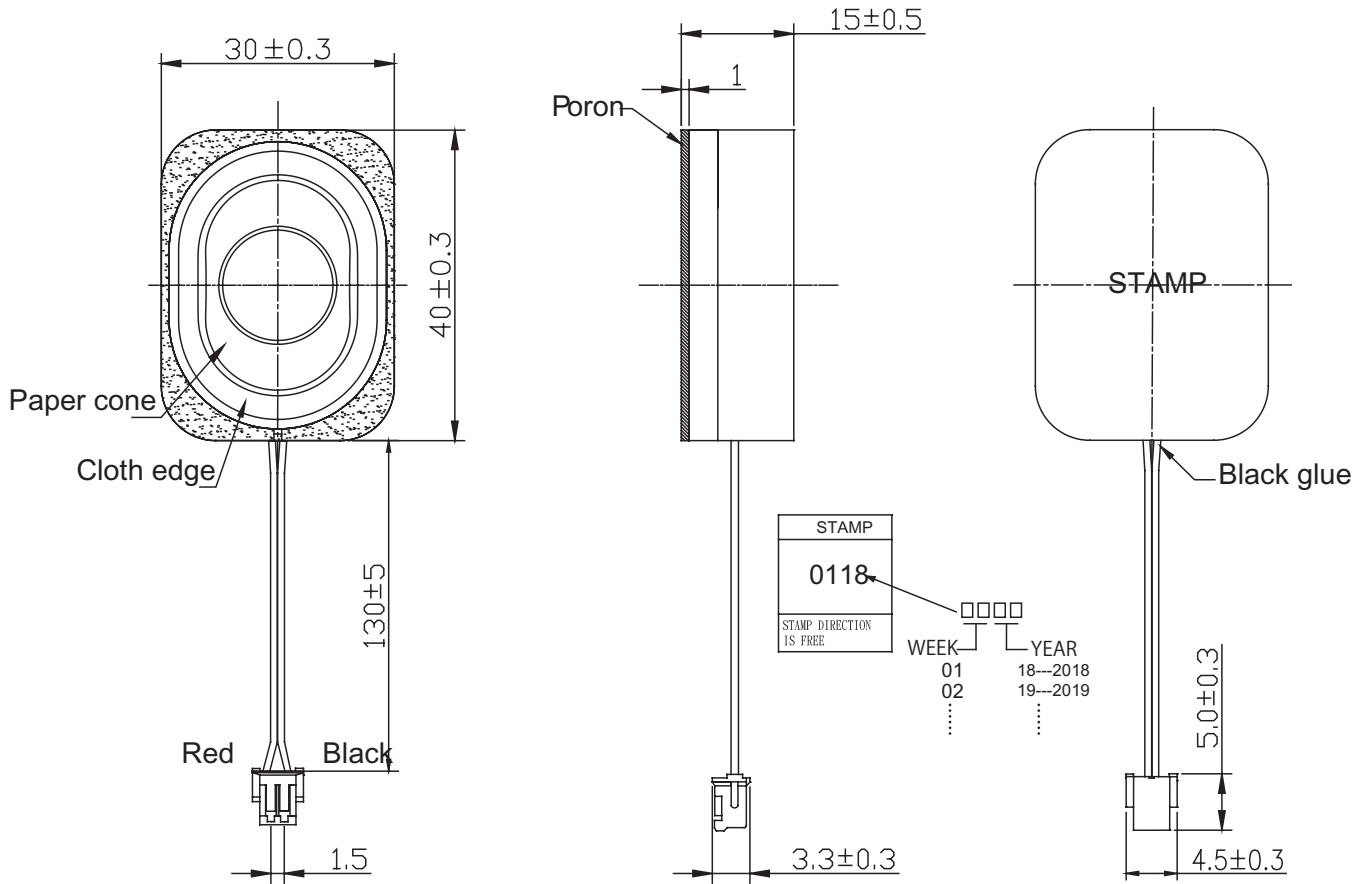
parameter	conditions/description	min	typ	max	units
input power	max power: IEC-60268-5, filter 60 seconds on, 120 seconds off, 10 cycles (room temp)		2.0	3.0	W
impedance	at 1.0 kHz	3.4	4	4.6	Ω
resonant frequency (Fo)	at 1.0 V	640	800	960	Hz
frequency response		Fo		20,000	Hz
sound pressure level	at 1.0 W, 50 cm, avg at 0.8, 1.0, 1.2, 1.5 kHz	83	86	89	dB
distortion	at 1.0 kHz, 1.0 W			10	%
buzz, rattle, etc.	must be normal at sine wave, frequency range			2.83	V
polarity	cone moves forward w/ positive dc current to "+" terminal				
dimensions	40.0 x 30.0 x 15.0				mm
magnet	Nd-Fe-B				
enclosure material	ABS 777D				
cone material	cloth+paper				
terminal	wire leads with connector				
weight			12.0		g
operating temperature		-30		70	$^{\circ}\text{C}$
storage temperature		-40		85	$^{\circ}\text{C}$
RoHS	yes				

Notes: 1. All specifications measured at 15-35 $^{\circ}\text{C}$, humidity at 45-85%, under 86-106 kPa pressure, unless otherwise noted.

MECHANICAL DRAWING

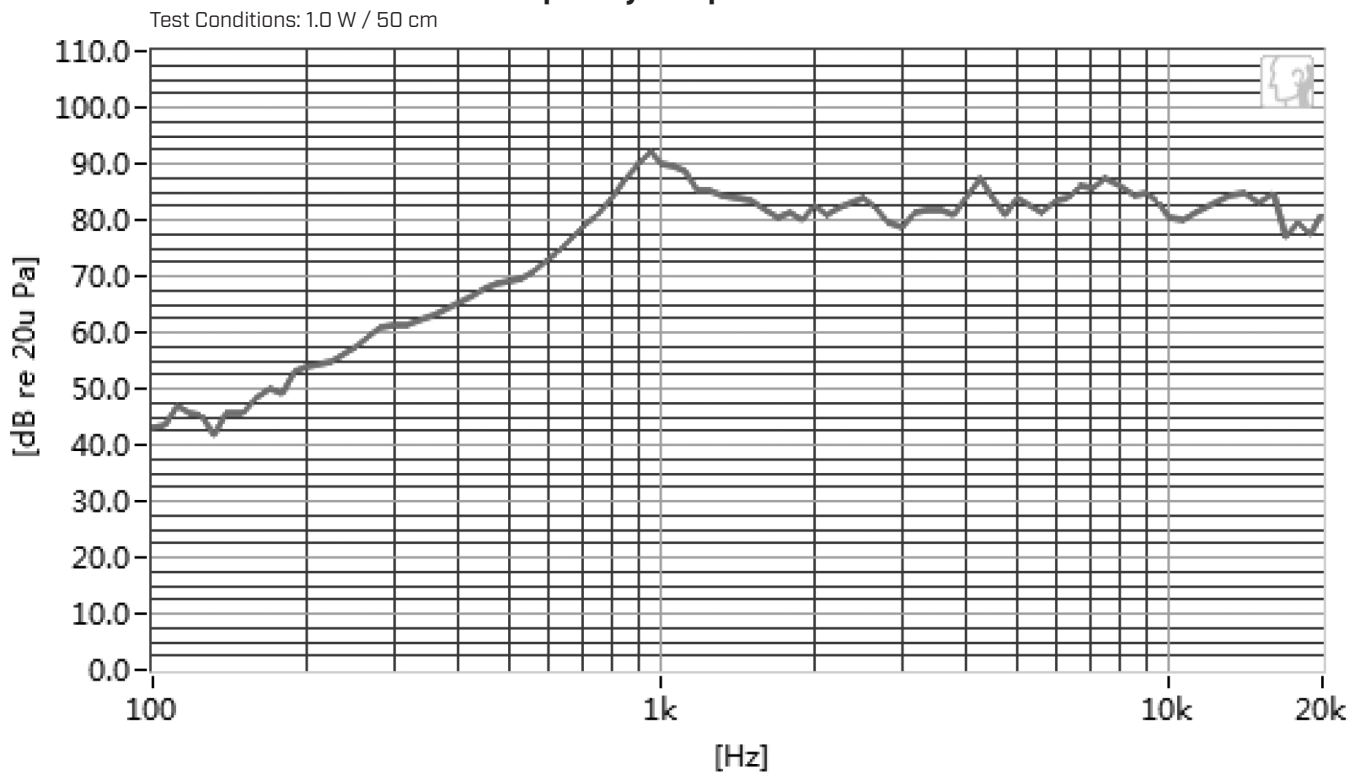
units: mm
tolerance: ± 0.5 mm

wire: UL1571 28 AWG
internal speaker: CDS-40304
connector: JST ZHR-2 SZH-003T-P0.5 or equivalent

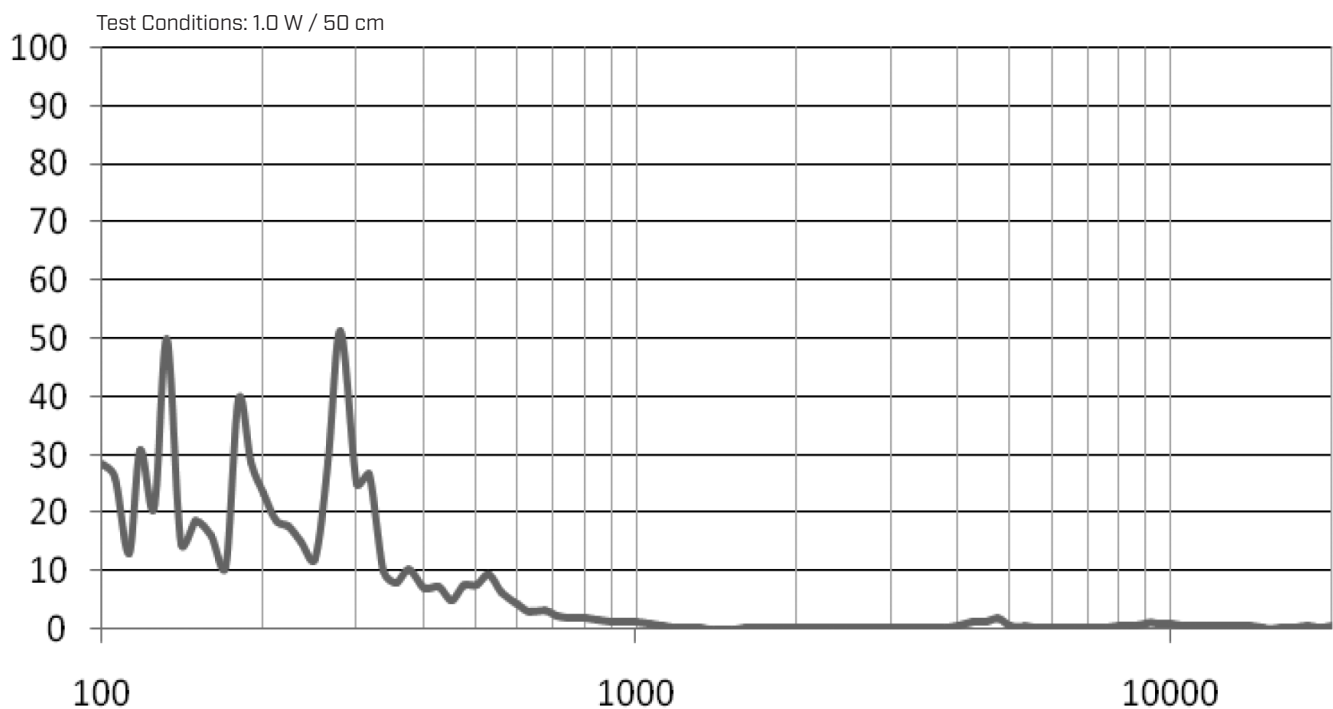


RESPONSE CURVES

Frequency Response Curve



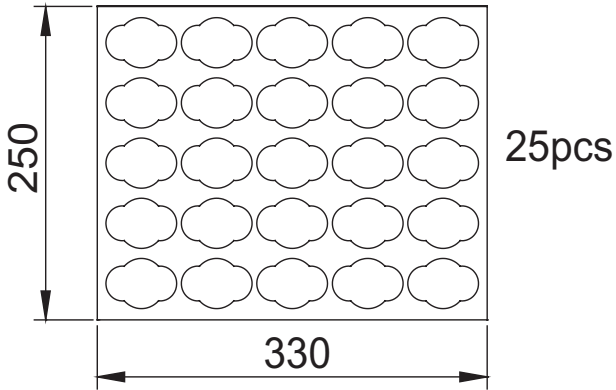
Total Harmonic Distortion Curve



PACKAGING

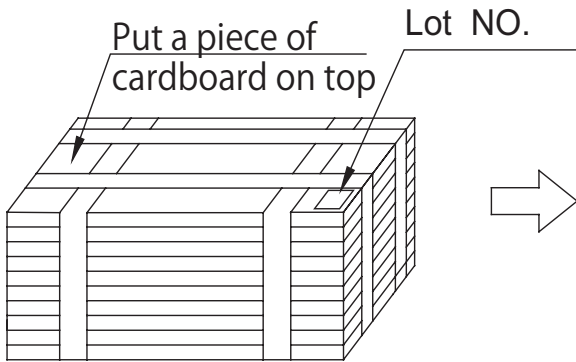
units: mm

Tray Size: 330 x 250 x 16 mm
 Tray QTY: 25 pcs per tray
 Carton Size: 515 x 345 x 310 mm
 Carton QTY: 500 pcs per carton

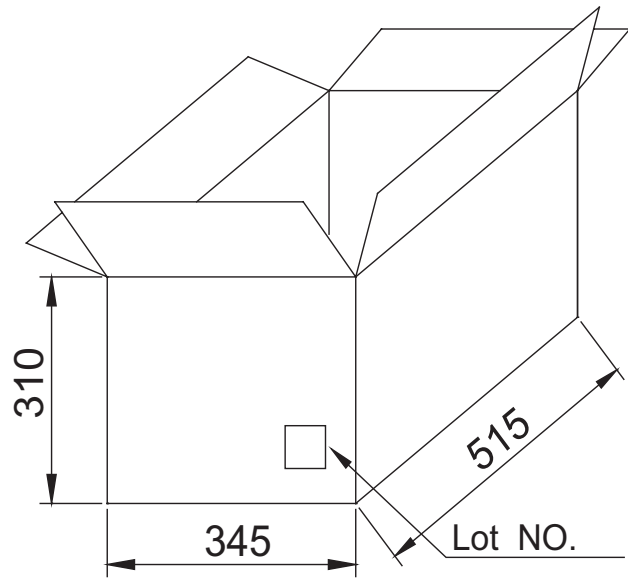


Lot No.	XXXXXXXXXX
Part No.	Inv#. Part#.
Quantity.	XXXX Pes
Date:	DD MM YY
MADE IN CHINA	

RoHs Compliant



25pcs*10=500 pcs/



REVISION HISTORY

rev.	description	date
1.0	initial release	06/08/2020
1.01	logo, datasheet style update	08/05/2022
1.02	CUI Devices rebranded to Same Sky	09/11/2024

The revision history provided is for informational purposes only and is believed to be accurate.



Same Sky offers a one (1) year limited warranty. Complete warranty information is listed on our website.

Same Sky reserves the right to make changes to the product at any time without notice. Information provided by Same Sky is believed to be accurate and reliable. However, no responsibility is assumed by Same Sky for its use, nor for any infringements of patents or other rights of third parties which may result from its use.

Same Sky products are not authorized or warranted for use as critical components in equipment that requires an extremely high level of reliability. A critical component is any component of a life support device or system whose failure to perform can be reasonably expected to cause the failure of the life support device or system, or to affect its safety or effectiveness.

[sameskydevices.com](https://www.sameskydevices.com)