



SERIES: CFM-20CF | **DESCRIPTION:** DC AXIAL FAN

FEATURES

- omniCOOL™ bearing system
- 20 x 20 mm frame
- multiple speed options
- PWM/tachometer wires available



MODEL

	input voltage		input current ¹		input power ¹		rated speed ¹	airflow ²	static pressure ³	noise ⁴
	rated [Vdc]	range [Vdc]	typ [A]	max [A]	typ [W]	max [W]	typ (RPM±10%)	[CFM]	[inch H ₂ O]	typ [dBA]
CFM-2006CF-060-078	5	4.5~5.5	0.04	0.06	0.20	0.30	6,000	0.33	0.02	7.85
CFM-2006CF-0100-189	5	4.5~5.5	0.05	0.08	0.25	0.40	10,000	0.55	0.06	18.9
CFM-2006CF-0150-277	5	4.5~5.5	0.13	0.20	0.65	1.00	15,000	0.82	0.14	27.75
CFM-2006CF-160-078	12	10.8~13.2	0.03	0.05	0.22	0.37	6,000	0.33	0.02	7.85
CFM-2006CF-1100-189	12	10.8~13.2	0.03	0.05	0.36	0.60	10,000	0.55	0.06	18.94
CFM-2006CF-1150-277	12	10.8~13.2	0.06	0.09	0.72	1.08	15,000	0.82	0.14	27.75
CFM-2010CF-060-066	5	4.5~5.5	0.03	0.05	0.15	0.25	6,000	0.55	0.03	6.6
CFM-2010CF-0120-217	5	4.5~5.5	0.10	0.15	0.50	0.75	12,000	1.10	0.12	21.65
CFM-2010CF-0170-292	5	4.5~5.5	0.12	0.18	0.60	0.90	17,000	1.56	0.24	29.22
CFM-2010CF-160-066	12	10.8~13.2	0.03	0.05	0.36	0.60	6,000	0.55	0.03	6.6
CFM-2010CF-1120-217	12	10.8~13.2	0.05	0.08	0.06	0.96	12,000	1.10	0.12	21.65
CFM-2010CF-1170-292	12	10.8~13.2	0.05	0.08	0.60	0.96	17,000	1.56	0.24	29.22

- Notes:
1. At rated voltage, after 3 minutes.
 2. At rated voltage, room temperature, 65% humidity, 0 inch H₂O static pressure.
 3. At rated voltage, 0 CFM airflow.
 4. Measured in an anechoic chamber as per ISO3745/GB4214-84 at rated voltage, with background noise 20±2 dBA at 1 m from the fan intake.
 5. All specifications are measured at 25°C, 65% relative humidity unless otherwise specified.

PART NUMBER KEY

CFM - 2006CF - 060 - 078 - XX - CXX

Base Number

Fan Signals
 "blank" = no signals
 20 = tachometer signal
 22 = tachometer signal / PWM control signal

Reserved for Custom Configurations

INPUT

parameter	conditions/description	min	typ	max	units
operating input voltage ⁶	5 Vdc input models	4.5	5	5.5	Vdc
	12 Vdc input models	10.8	12	13.8	Vdc
starting voltage	5 Vdc input models		3.5	4	Vdc
	12 Vdc input models		7	8	Vdc

Note: 6. See Model section on page 1 for specific input voltage ranges.

PERFORMANCE⁷

parameter	conditions/description	min	typ	max	units
rated speed	at rated voltage, 25°C, after 3 minutes	6,000		17,000	RPM
air flow	at 0 inch H ₂ O, see performance curves	0.33		1.56	CFM
static pressure	at 0 CFM, see performance curves	0.02		0.24	inch H ₂ O
noise	at 1 m, rated speed	7.85		29.22	dBA

Note: 7. See Model section on page 1 for specific values.

PROTECTIONS / FEATURES⁸

parameter	conditions/description	min	typ	max	units
auto restart	on all models				
tachometer signal	available on "20" and "22" models				
PWM control signal	available on "22" models				

Notes: 8. See Application Notes for details.

SAFETY & COMPLIANCE

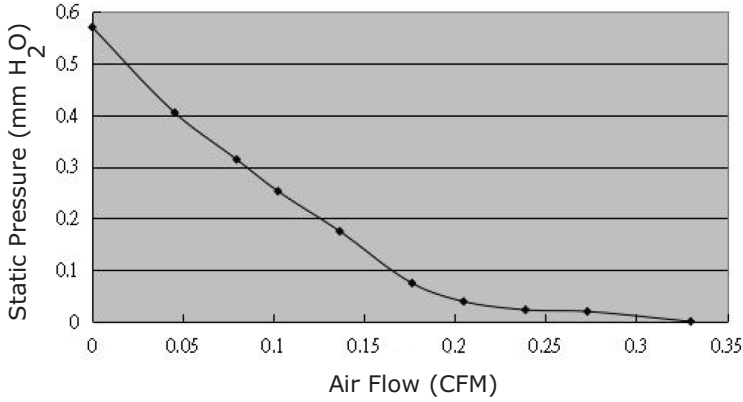
parameter	conditions/description	min	typ	max	units
insulation resistance	at 500 Vdc between frame and positive terminal	10			MΩ
dielectric strength	at 500 Vac, 60 Hz, 1 minute between housing and positive terminal			5	mA
safety approvals	UL/cUL 507, TUV [EN/IEC 62368-1:2020+A11]				
EMI/EMC	EN 55032:2015, EN 55035:2017				
life expectancy	at 40°C, 65% RH, 90% confidence level		40,000		hours
RoHS	yes				

ENVIRONMENTAL

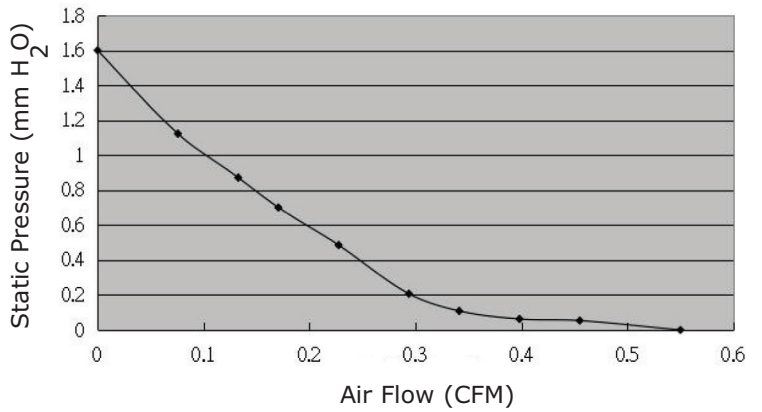
parameter	conditions/description	min	typ	max	units
operating temperature		-10		70	°C
storage temperature		-40		75	°C
operating humidity	non-condensing	35		85	%
storage humidity	non-condensing	35		85	%

PERFORMANCE CURVES

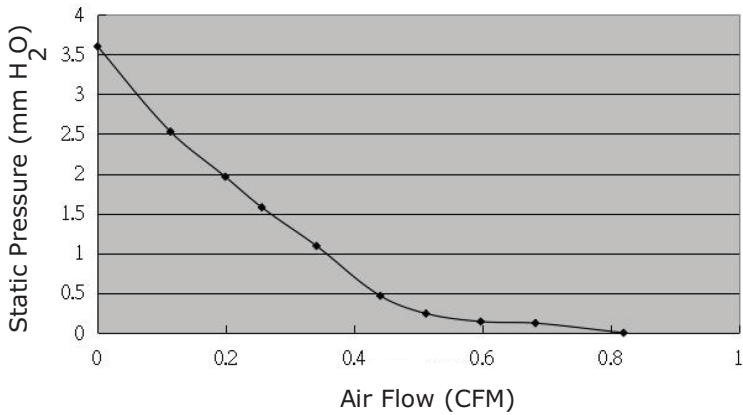
CFM-2006CF-060-078



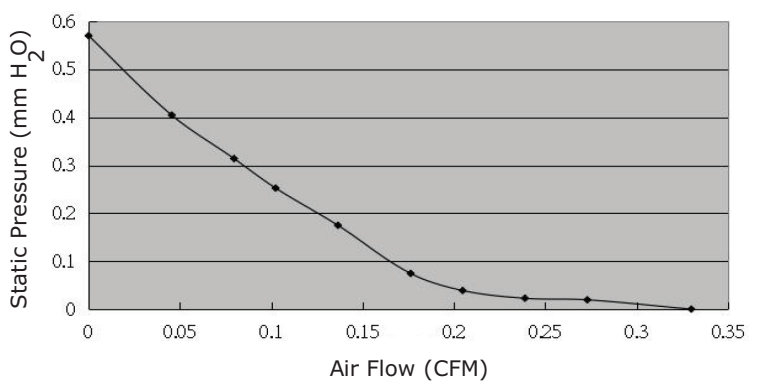
CFM-2006CF-0100-189



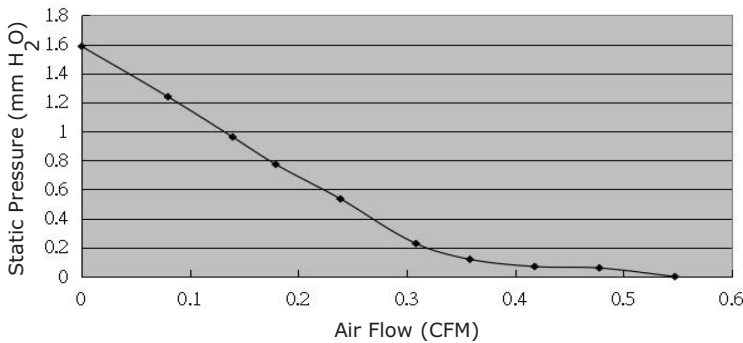
CFM-2006CF-0150-277



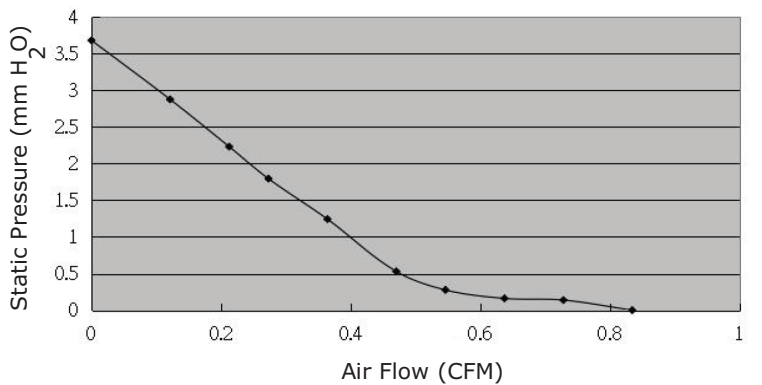
CFM-2006CF-160-078



CFM-2006CF-1100-189

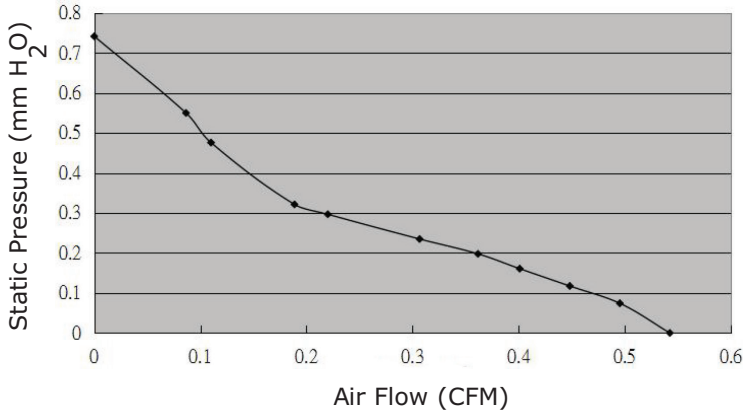


CFM-2006CF-1150-277

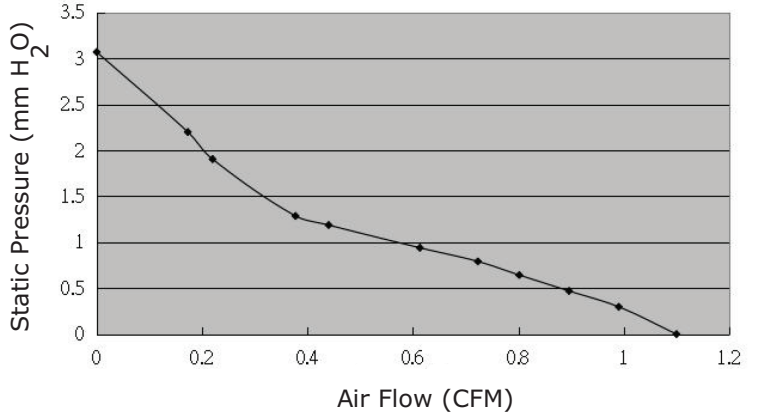


PERFORMANCE CURVES (CONTINUED)

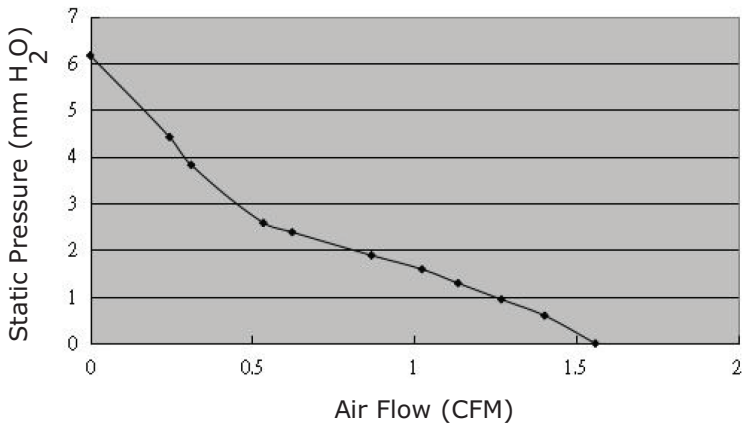
CFM-2010CF-060-066



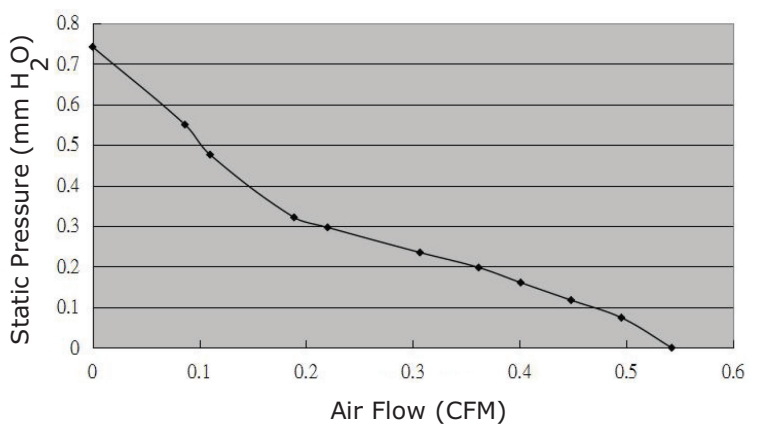
CFM-2010CF-0120-217



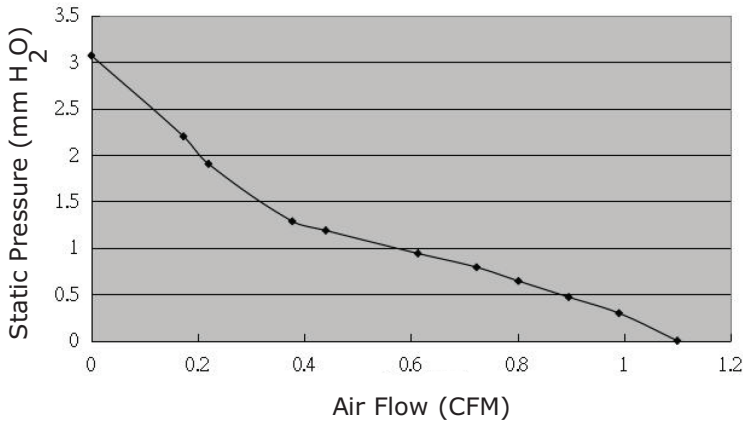
CFM-2010CF-0170-292



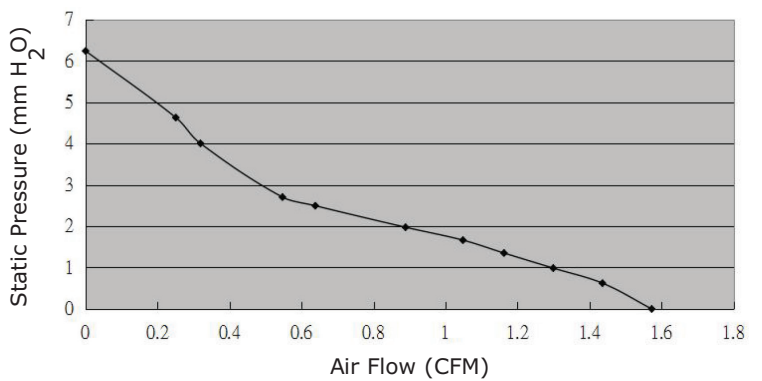
CFM-2010CF-160-066



CFM-2010CF-1120-217



CFM-2010CF-1170-292



MECHANICAL

parameter	conditions/description	min	typ	max	units
motor	4 pole DC brushless				
bearing system	omniCOOL™				
direction of rotation	counter-clockwise viewed from front of fan blade				
dimensions	CFM-2006CF models: 19.9 x 19.9 x 6.5 CFM-2010CF models: 20 x 20 x 10.3				mm mm
material	PBT (UL94V-0)				
weight	CFM-2006CF models: weight varies by model CFM-2010CF models: weight varies by model	2.91 4.55		3.5 5.06	g g

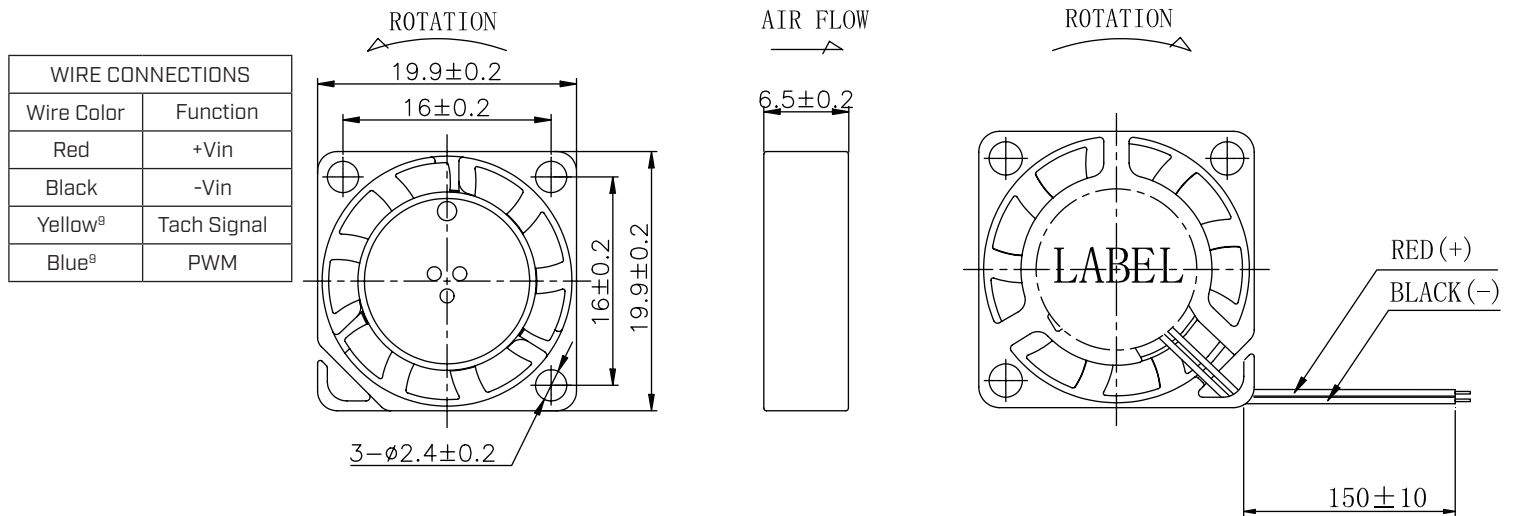
MECHANICAL DRAWING

units: mm

2 wire versions (+Vin & -Vin): UL 3132, 30 AWG
 3 wire versions (+Vin, -Vin, & tach): UL 3132, 30 AWG
 4 wire versions (+Vin, -Vin, tach, & PWM): UL 3132, 30 AWG

MOUNTING SCREW (Pan Head)			
Screw Type	Size	Standard	Torque
Machine Screw	M2	JIS B1111-1974	1-2 kgf-cm

CFM-2006CF



Notes: ⁹ Wires only present on versions with output signals.

MECHANICAL DRAWING (CONTINUED)

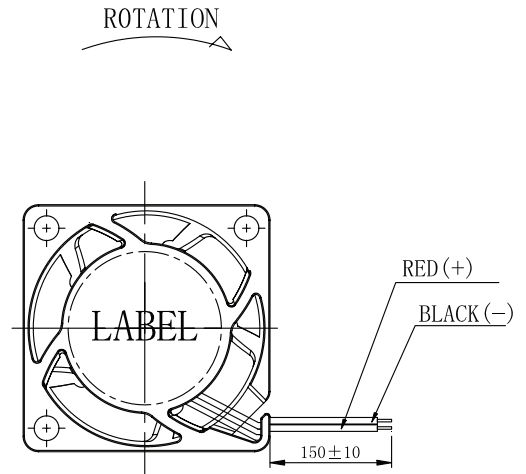
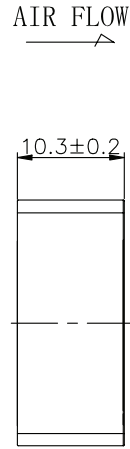
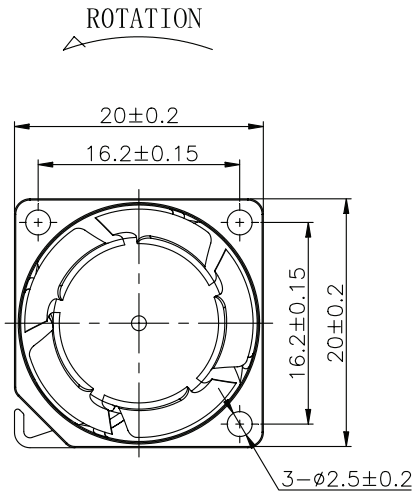
units: mm

2 wire versions (+Vin & -Vin): UL 3132, 30 AWG
 3 wire versions (+Vin, -Vin, & tach): UL 3132, 30 AWG
 4 wire versions (+Vin, -Vin, tach, & PWM): UL 3132, 30 AWG

MOUNTING SCREW (Pan Head)			
Screw Type	Size	Standard	Torque
Machine Screw	M2	JIS B1111-1974	1-2 kgf-cm

CFM-2010CF

WIRE CONNECTIONS	
Wire Color	Function
Red	+Vin
Black	-Vin
Yellow ⁹	Tach Signal
Blue ⁹	PWM



Notes: ⁹ Wires only present on versions with output signals.

APPLICATION NOTES

Auto Restart Protection

When the fan motor is locked by an external force, the device will temporarily turn off electrical power to the motor and restart automatically when the locked rotor condition is released.

Tachometer Signal (Yellow Wire)

The tachometer signal is for detecting the rotational speed of the fan motor. The output will be a square wave when fan is operating and V_{FG} or V_{CE} depending on the locked rotor position when fan motor is locked (See Figures 1~2 below).

Figure 1: Tachometer Output Circuit

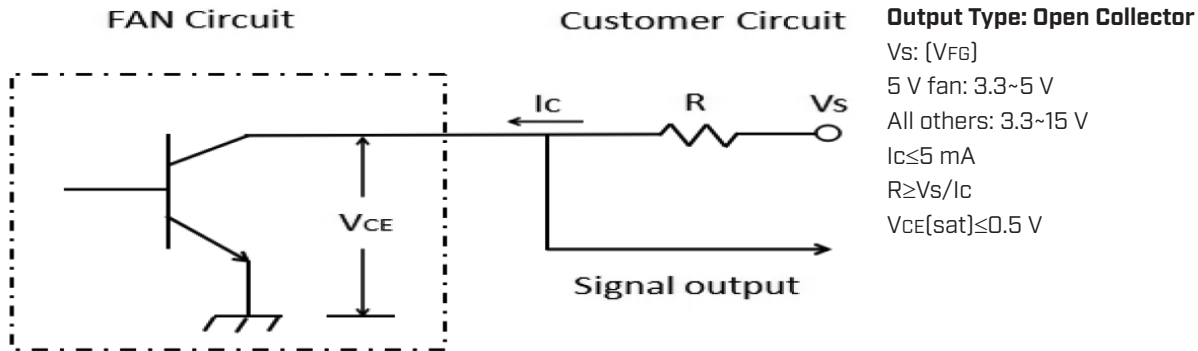
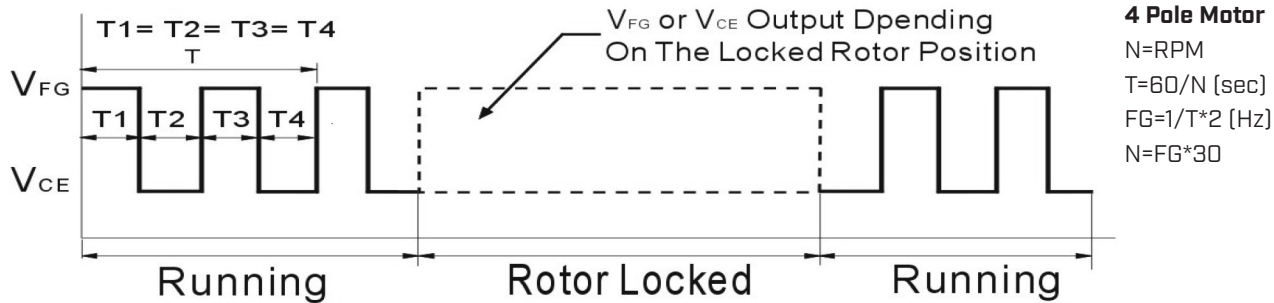


Figure 2: Tachometer Output Waveform

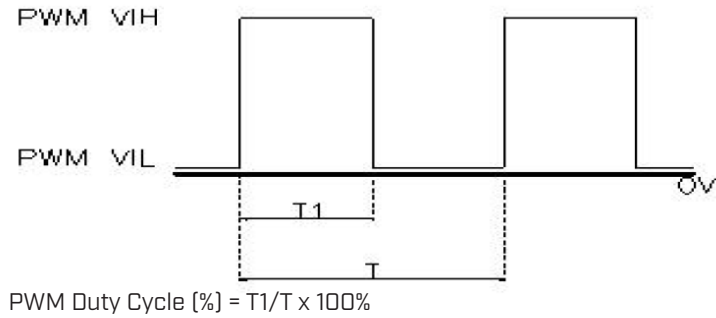


APPLICATION NOTES (CONTINUED)

PWM Signal (Blue Wire)

This wire is for speed control of the fan motor using a PWM input signal from the customer circuit (See Figure 3 below).

Figure 3: PWM Input Signal



Model	PWM Frequency Range (kHz)	PWM VIH [V]	PWM VIL [V]
CFM-2006CF-060-078-22	5~50	2.7~5.5	0~0.7
CFM-2006CF-0100-189-22	5~50	2.7~5.5	0~0.7
CFM-2006CF-0150-277-22	5~50	2.7~5.5	0~0.7
CFM-2006CF-160-078-22	0.6~55	2.3~10	0~0.7
CFM-2006CF-1100-189-22	0.2~50	2.5~10	0~0.8
CFM-2006CF-1150-277-22	0.6~55	2.3~10	0~0.7
CFM-2010CF-060-066-22	5~50	2.7~5.5	0~0.7
CFM-2010CF-0120-217-22	5~50	2.7~5.5	0~0.7
CFM-2010CF-0170-292-22	5~50	2.7~5.5	0~0.7
CFM-2010CF-160-066-22	0.6~55	2.3~10	0~0.7
CFM-2010CF-1120-217-22	0.2~50	2.5~10	0~0.8
CFM-2010CF-1170-292-22	8~55	2.3~10	0~0.7

REVISION HISTORY

rev.	description	date
1.0	initial release	05/04/2023
1.01	updated PWM details	03/15/2024
1.02	CUI Devices rebranded to Same Sky	09/12/2024

The revision history provided is for informational purposes only and is believed to be accurate.



Same Sky offers a one (1) year limited warranty. Complete warranty information is listed on our website.

Same Sky reserves the right to make changes to the product at any time without notice. Information provided by Same Sky is believed to be accurate and reliable. However, no responsibility is assumed by Same Sky for its use, nor for any infringements of patents or other rights of third parties which may result from its use.

Same Sky products are not authorized or warranted for use as critical components in equipment that requires an extremely high level of reliability. A critical component is any component of a life support device or system whose failure to perform can be reasonably expected to cause the failure of the life support device or system, or to affect its safety or effectiveness.

[sameskydevices.com](https://www.sameskydevices.com)