

MODEL: CMEJ-0733-36-L050 | **DESCRIPTION:** ELECTRET CONDENSER MICROPHONE

FEATURES

- omnidirectional
- 7 mm diameter
- 50 mm lead wires


ELECTRICAL

| parameter | conditions/description | min | typ | max | units |
|--------------------------------------|--|-----|-----|--------|------------|
| directivity | omnidirectional | | | | |
| sensitivity [S] | at 1 kHz [0 dB = 1 V/Pa] | -39 | -36 | -33 | dB |
| supply voltage [V _{DD}] | | 1.0 | 4.5 | 10 | V |
| current consumption | V _{DD} = 4.5 V, R _L = 2.2 k Ω | | | 0.5 | mA |
| sensitivity reduction | V _{DD} = 4.5 ~ 4.0 V | | | 3 | dB |
| frequency [f] | | 100 | | 10,000 | Hz |
| signal to noise ratio [S/N] | at 1 kHz, P _{in} = 1 Pa [A-weighted] | | 60 | | dBA |
| total harmonic distortion [THD] | at 94 dB SPL, 1 kHz | | | 1 | % |
| | at 115 dB SPL, 1 kHz | | | 3 | % |
| acoustic overload point [AOP] | at 1 kHz | | | 115 | dB SPL |
| output impedance [Z _{out}] | at 1 kHz | | | 2.2 | k Ω |

Notes: 1. All specifications measured at 20 \pm 2 $^{\circ}$ C, humidity at 60-70%, unless otherwise noted.

ENVIRONMENTAL

| parameter | conditions/description | min | typ | max | units |
|-----------------------|------------------------|-----|-----|-----|--------------|
| operating temperature | | -40 | | 70 | $^{\circ}$ C |
| storage temperature | | -40 | | 85 | $^{\circ}$ C |
| operating humidity | non-condensing | 30 | | 85 | % |
| storage humidity | non-condensing | 30 | | 75 | % |
| RoHS | yes | | | | |

MECHANICAL

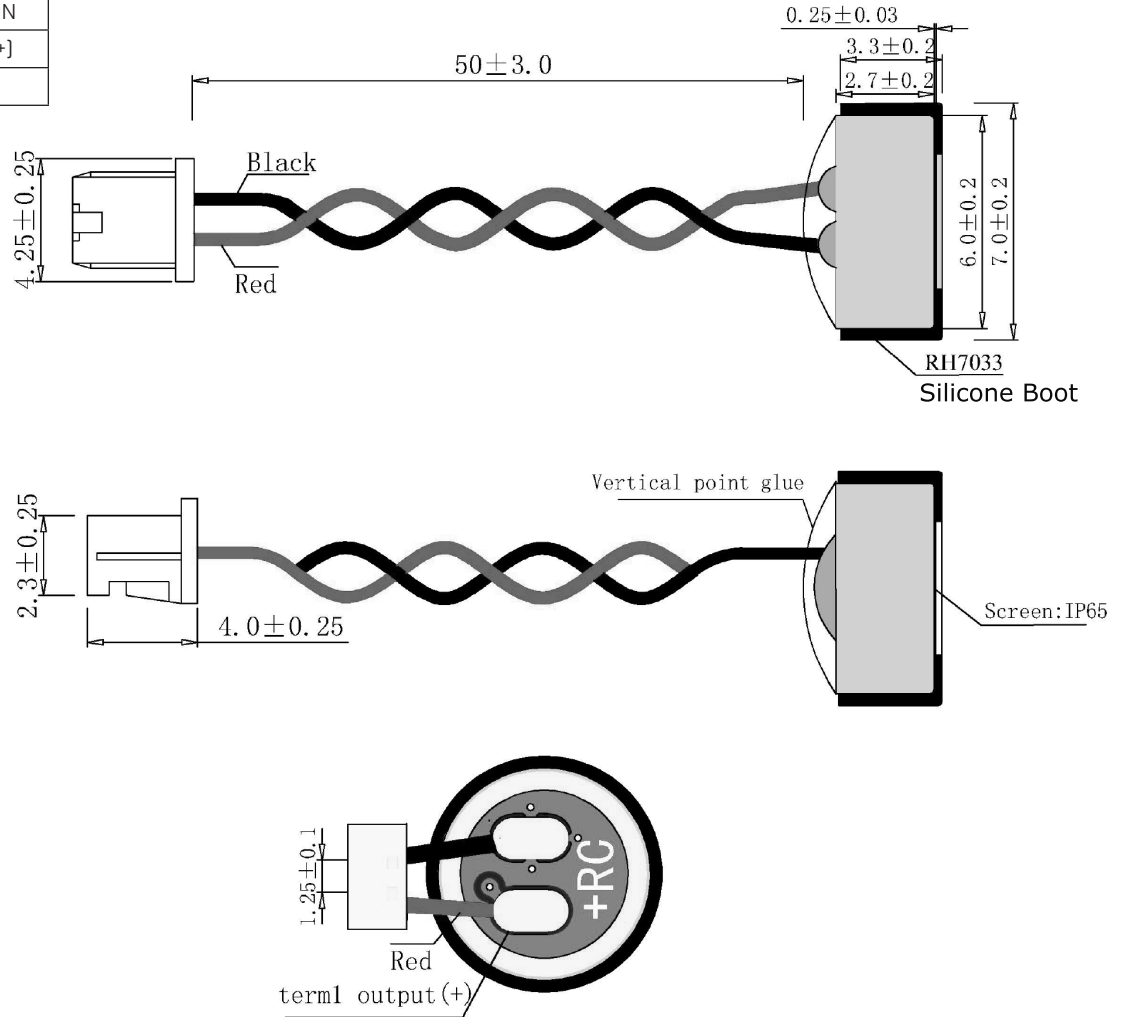
| parameter | conditions/description | min | typ | max | units |
|---------------|--|-----|------|-----|-------|
| dimensions | Ø7.0 x 3.3 | | | | mm |
| acoustic port | top | | | | |
| terminals | wire leads with connector; mates with CJT A1251 Series or equivalent | | | | |
| weight | | | 0.37 | | g |

MECHANICAL DRAWING

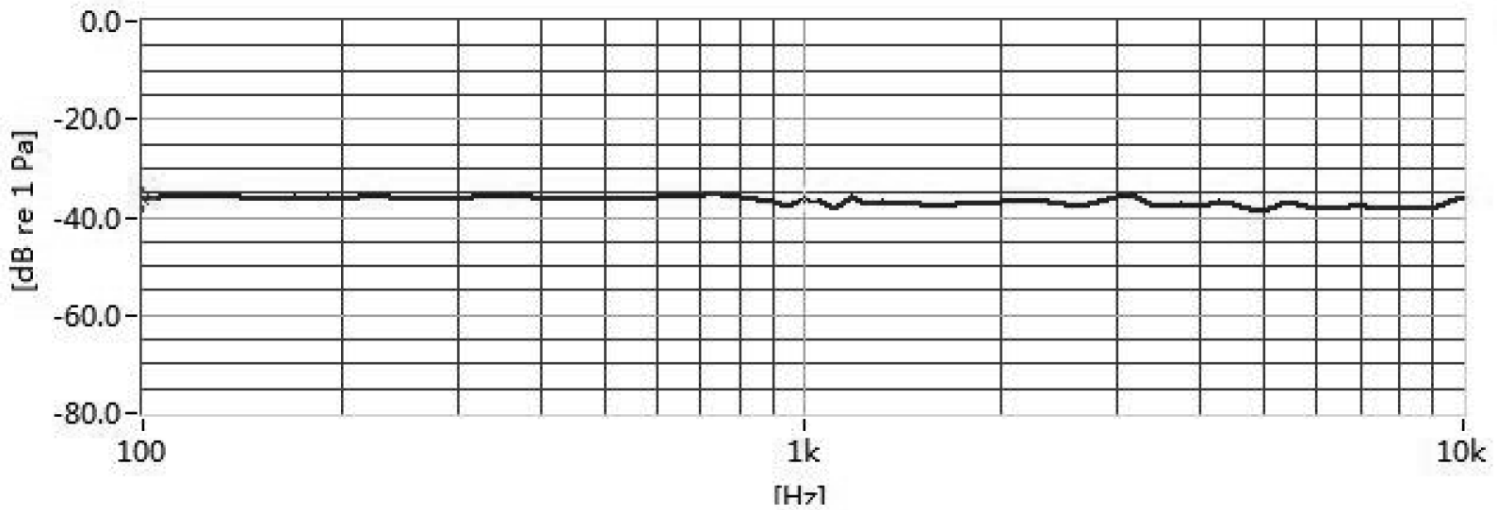
units: mm
tolerance: ±0.2 mm

wire: UL 1571, 32 AWG
connector: CJT A1251H-2P
terminal: CJT A1251-TP

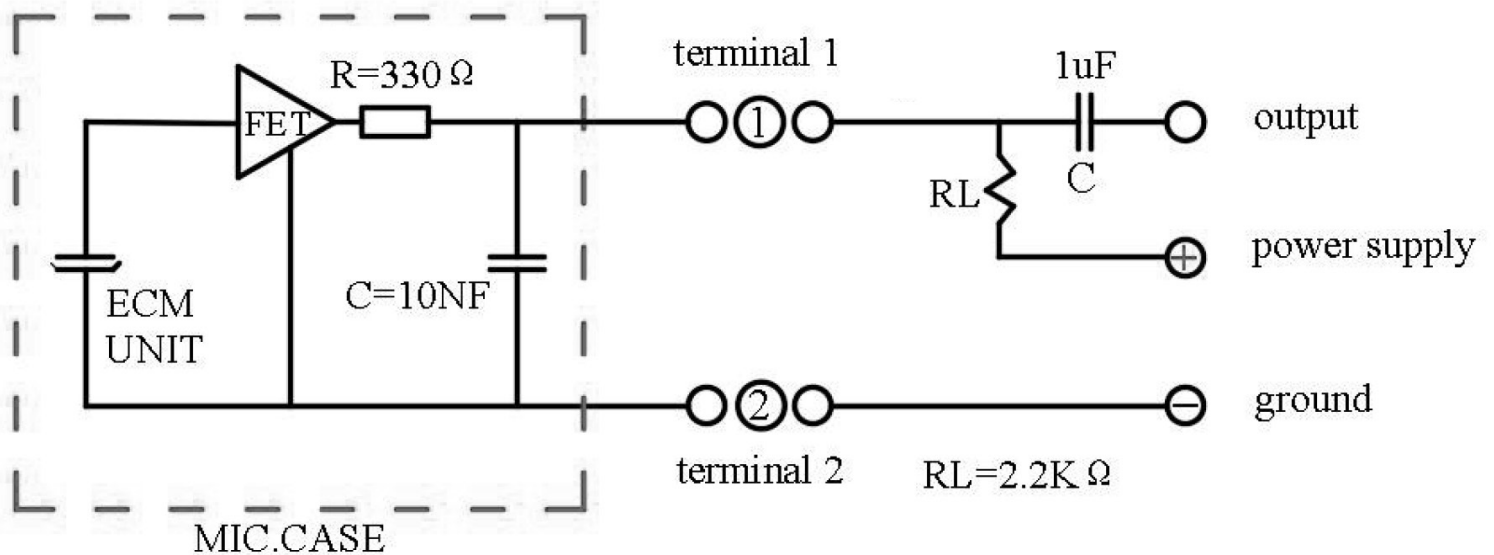
| WIRE CONNECTIONS | | |
|------------------|------------|------------|
| TERM. | WIRE COLOR | FUNCTION |
| 1 | Red | Output (+) |
| 2 | Black | GND (-) |



FREQUENCY RESPONSE CURVE

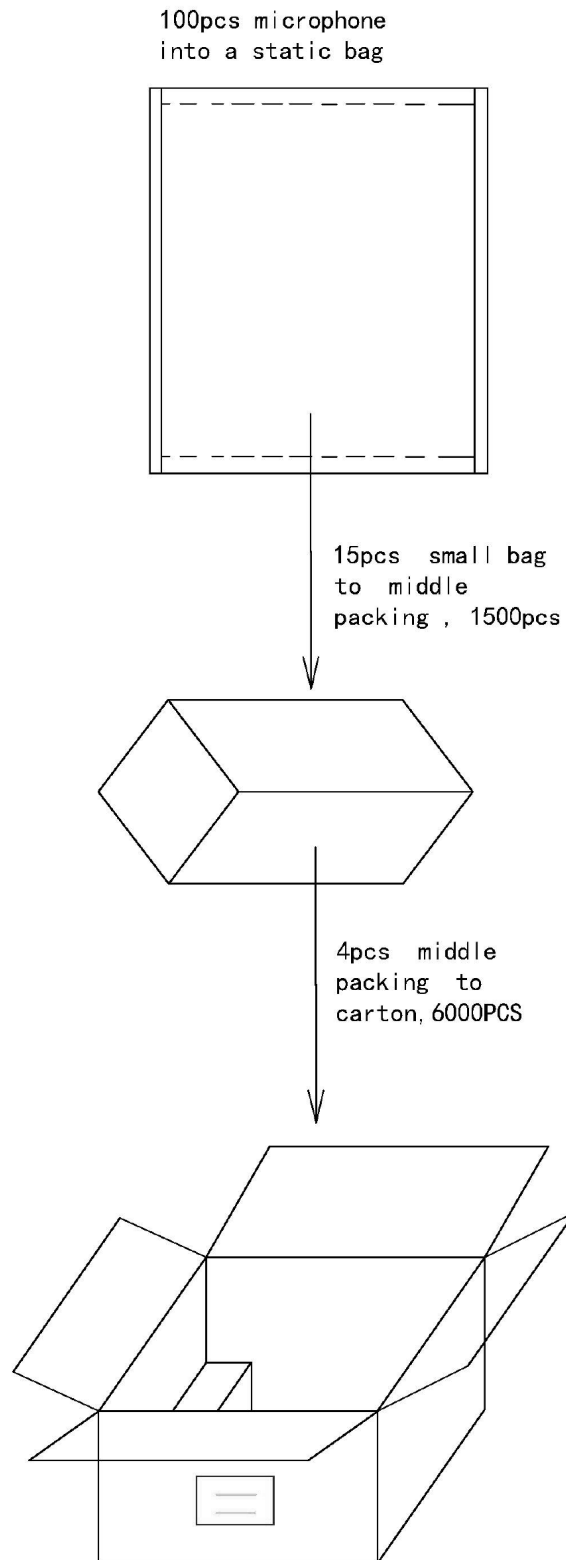


APPLICATION CIRCUIT



PACKAGING

Carton QTY: 6,000 pcs



REVISION HISTORY

| rev. | description | date |
|------|-----------------------------------|------------|
| 1.0 | initial release | 06/12/2019 |
| 1.01 | brand update | 01/16/2020 |
| 1.02 | logo, datasheet style update | 08/05/2022 |
| 1.03 | CUI Devices rebranded to Same Sky | 09/11/2024 |

The revision history provided is for informational purposes only and is believed to be accurate.



Same Sky offers a one (1) year limited warranty. Complete warranty information is listed on our website.

Same Sky reserves the right to make changes to the product at any time without notice. Information provided by Same Sky is believed to be accurate and reliable. However, no responsibility is assumed by Same Sky for its use, nor for any infringements of patents or other rights of third parties which may result from its use.

Same Sky products are not authorized or warranted for use as critical components in equipment that requires an extremely high level of reliability. A critical component is any component of a life support device or system whose failure to perform can be reasonably expected to cause the failure of the life support device or system, or to affect its safety or effectiveness.

[sameskydevices.com](https://www.sameskydevices.com)