



MODEL: CMI-12951C-0585T | **DESCRIPTION:** MAGNETIC BUZZER INDICATOR

FEATURES

- 5 Vdc rated
- 85 dB
- through hole
- magnetic
- internally driven
- narrow frequency range
- used in medical & security applications



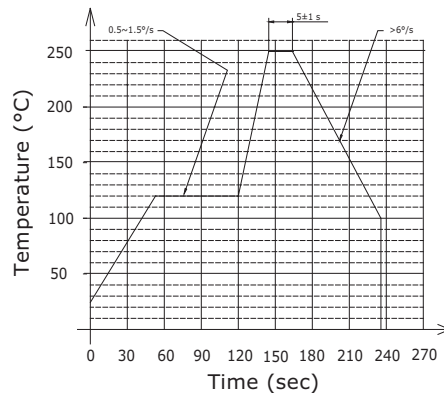
SPECIFICATIONS

parameter	conditions/description	min	typ	max	units
rated voltage			5		Vdc
operating voltage		4		7	Vdc
current consumption	at rated voltage			30	mA
rated frequency	at rated voltage	2,300	2,400	2,500	Hz
sound pressure level	at 10 cm, rated voltage	85			dB
tone	single				
dimensions	Ø12 x 9.5				mm
weight			1.8		g
material	PBT				
terminal	pins (red coppber with tin plating)				
operating temperature		-30		70	°C
storage temperature		-40		85	°C
washable	yes				
RoHS	yes				

Notes: 1. All specifications measured at 25±3°C, humidity at 60-70%, under 86-106 kPa pressure, unless otherwise noted.

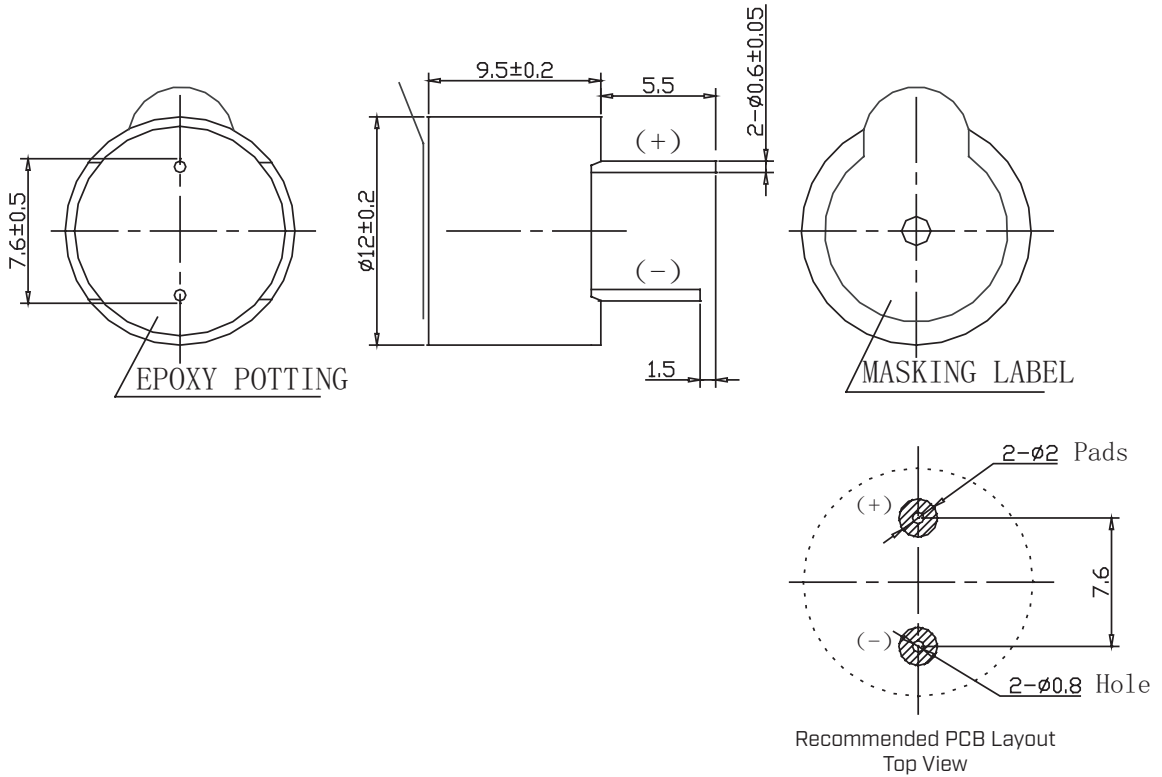
SOLDERABILITY

parameter	conditions/description	min	typ	max	units
wave soldering	see recommended wave soldering profile			250	°C



MECHANICAL DRAWING

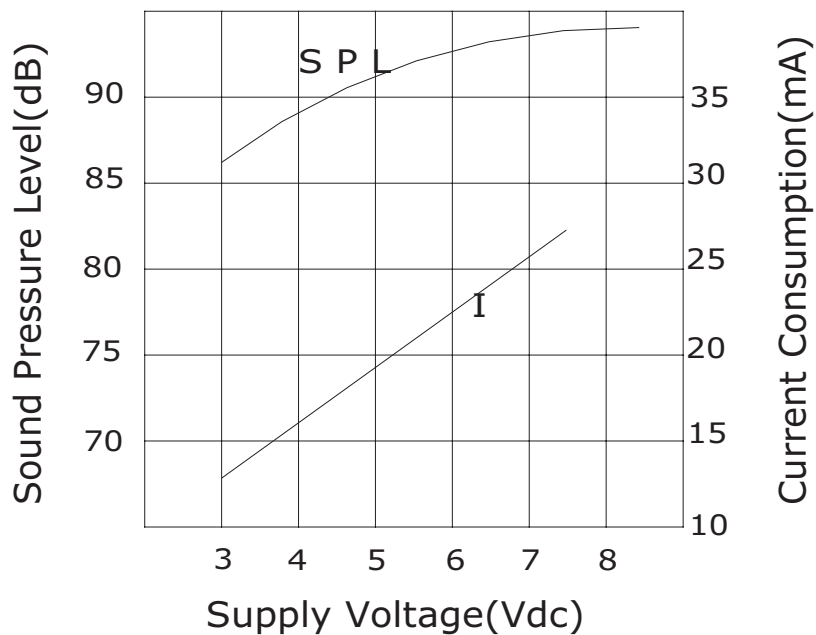
units: mm
tolerance: ± 0.5 mm



PERFORMANCE CURVES

SPL: Voltage vs. Sound Pressure Level
I: Voltage vs. Current Consumption

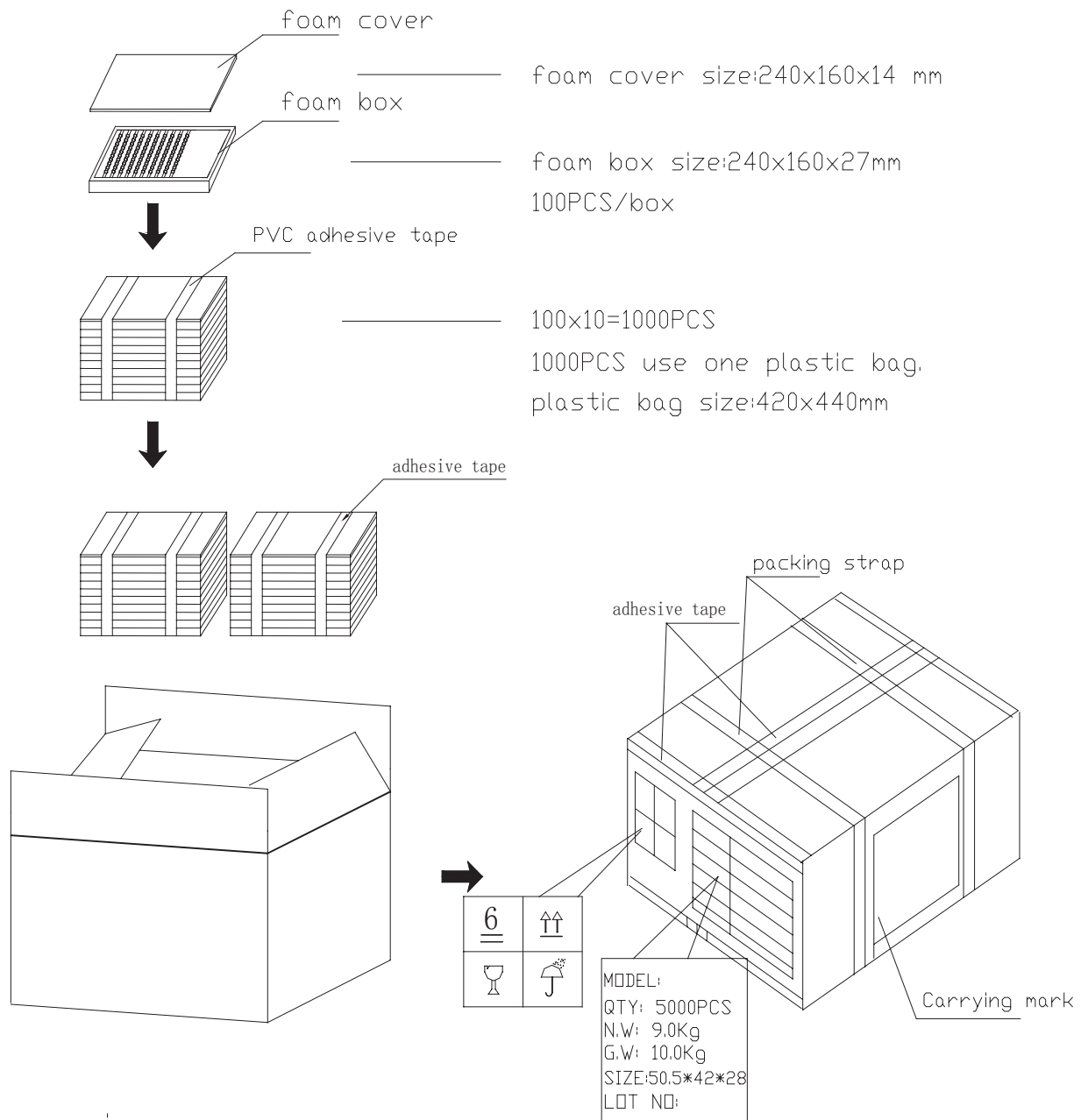
at 10 cm



PACKAGING

units: mm

Carton Size: 505 x 420 x 280 mm
 Carton QTY: 5,000 pcs per carton



REVISION HISTORY

rev.	description	date
1.0	initial release	11/13/2019
1.01	logo, datasheet style update	08/05/2022
1.02	CUI Devices rebranded to Same Sky	09/11/2024

The revision history provided is for informational purposes only and is believed to be accurate.



Same Sky offers a one (1) year limited warranty. Complete warranty information is listed on our website.

Same Sky reserves the right to make changes to the product at any time without notice. Information provided by Same Sky is believed to be accurate and reliable. However, no responsibility is assumed by Same Sky for its use, nor for any infringements of patents or other rights of third parties which may result from its use.

Same Sky products are not authorized or warranted for use as critical components in equipment that requires an extremely high level of reliability. A critical component is any component of a life support device or system whose failure to perform can be reasonably expected to cause the failure of the life support device or system, or to affect its safety or effectiveness.

[sameskydevices.com](https://www.sameskydevices.com)