



MODEL: CMR-15062S-67 | DESCRIPTION: RECEIVER

FEATURES

- IP67 rated face
- protection against dust and water ingress
- dynamic receiver
- small footprint
- spring contacts



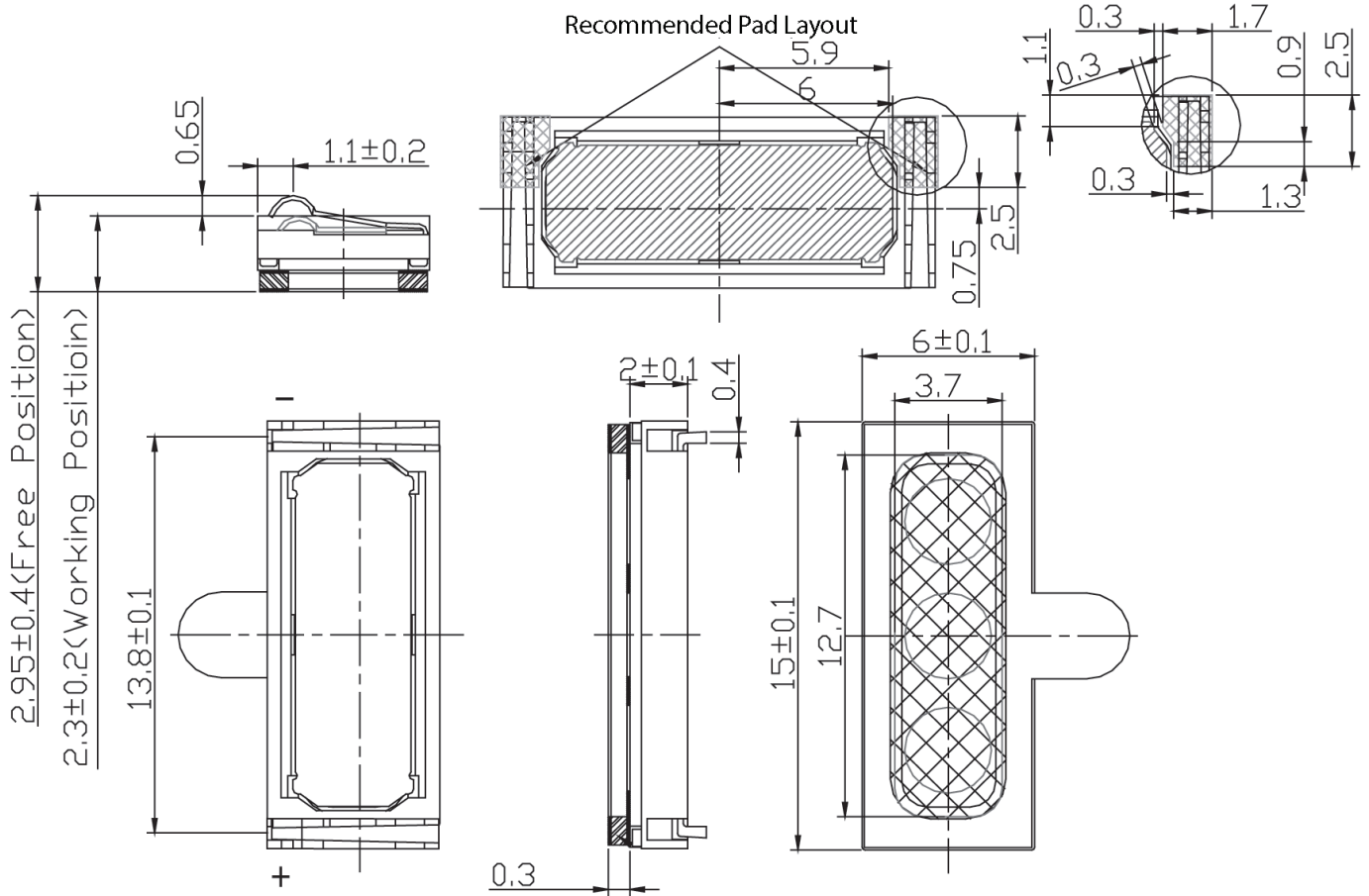
SPECIFICATIONS

| parameter | conditions/description | min | typ | max | units |
|-------------------------|---|------|-----|-------|--------------------|
| input power | | | 20 | 30 | mW |
| impedance | at 1.0 kHz, 0.8 Vrms in free air | 27.2 | 32 | 36.8 | Ω |
| coil resistance | | 23.8 | 28 | 32.2 | Ω |
| resonant frequency [Fo] | at 0.8 Vrms in free air | 440 | 550 | 660 | Hz |
| frequency response | | 300 | | 7,000 | Hz |
| sound pressure level | at 1 kHz with Type 3.2 HL Ear, 0.8 Vrms | 114 | 117 | 120 | dB |
| distortion | see THD curve | | | | % |
| buzz, rattle, etc. | must be normal at sine wave, 0.3-7 kHz | | 0.8 | | Vrms |
| polarity | cone moves forward w/ positive dc current to "+" terminal | | | | |
| dimensions | 15 x 6 x 2 | | | | mm |
| magnet | Nd-Fe-B | | | | |
| cone material | PEEK | | | | |
| weight | | | 0.4 | | g |
| operating temperature | | -20 | | 70 | $^{\circ}\text{C}$ |
| storage temperature | | -40 | | 85 | $^{\circ}\text{C}$ |
| RoHS | yes | | | | |
| IP level | IP67 [front side] | | | | |

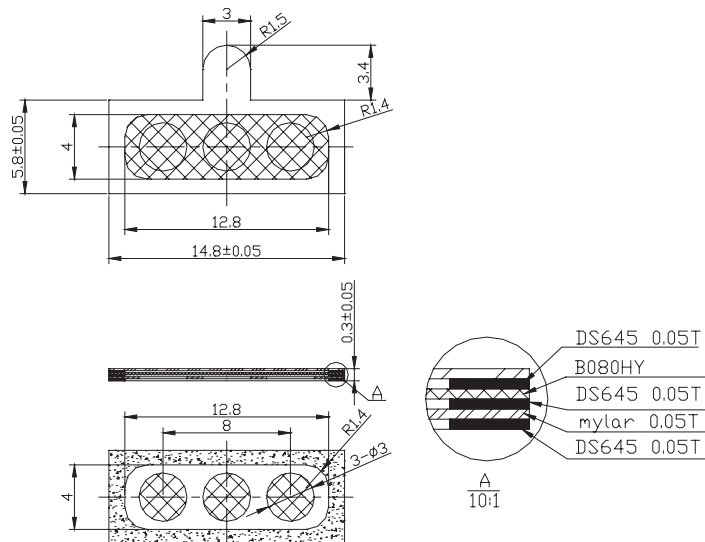
Notes: 1. All specifications measured at 15-35 $^{\circ}\text{C}$, humidity at 25-75%, under 86-106 kPa pressure, unless otherwise noted.

MECHANICAL DRAWING

units: mm
tolerance: ± 0.2 mm

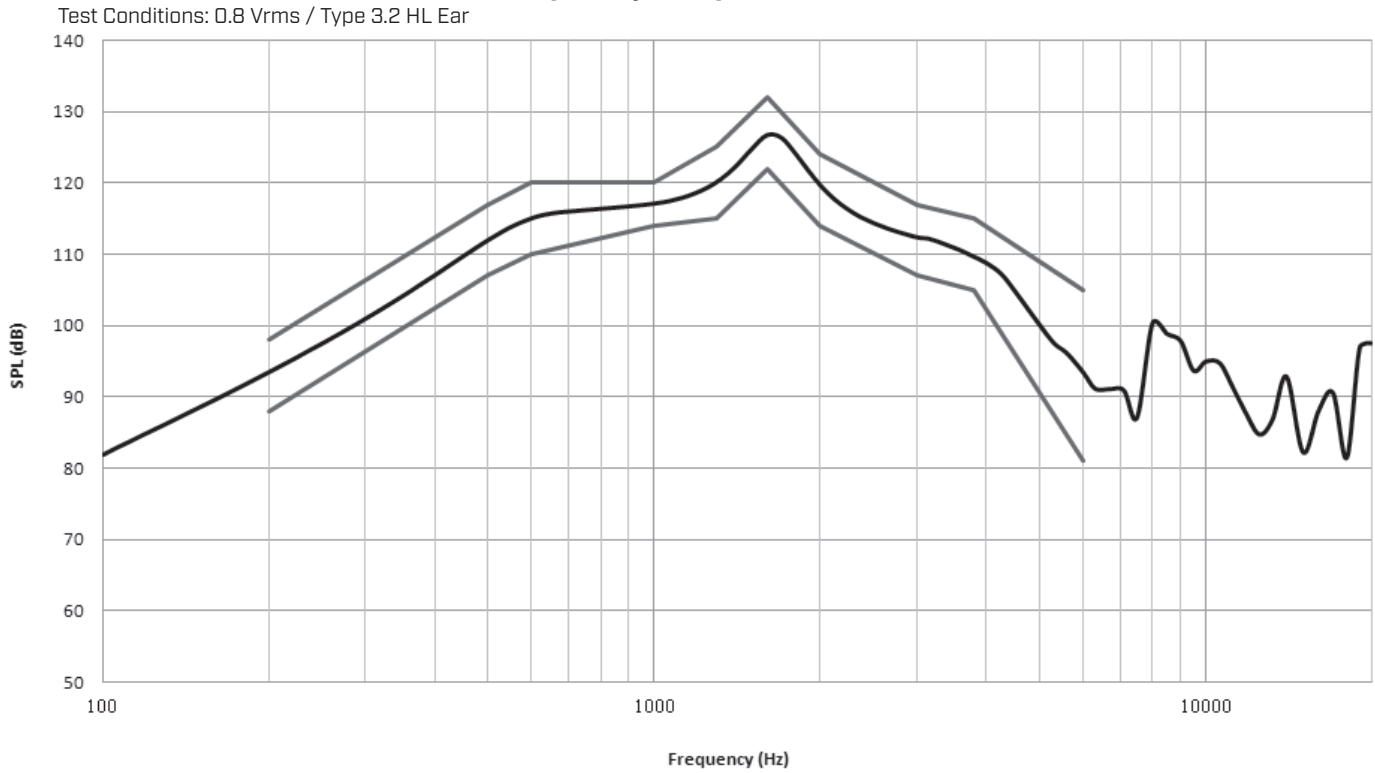


MECHANICAL DRAWING (GASKET)

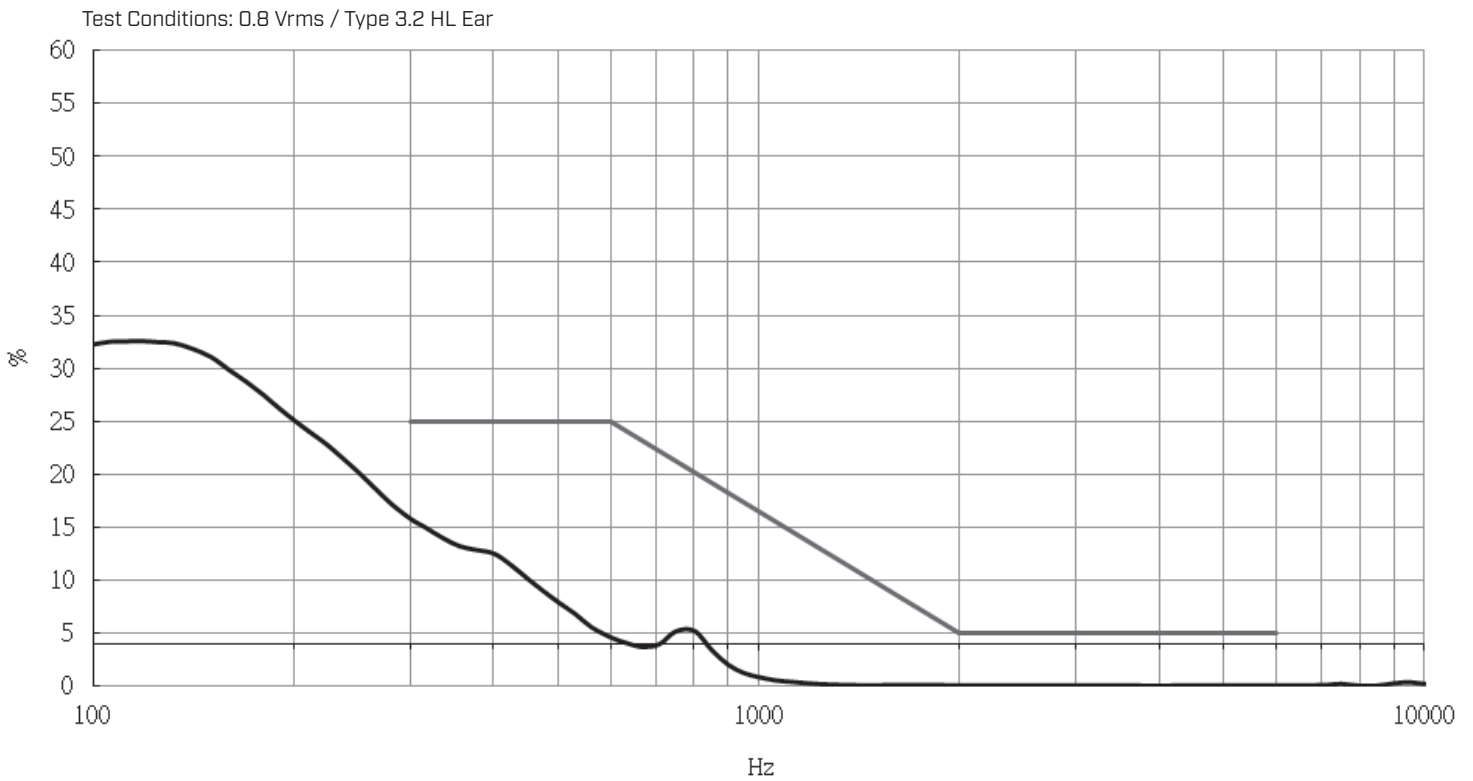


RESPONSE CURVES

Frequency Response Curve



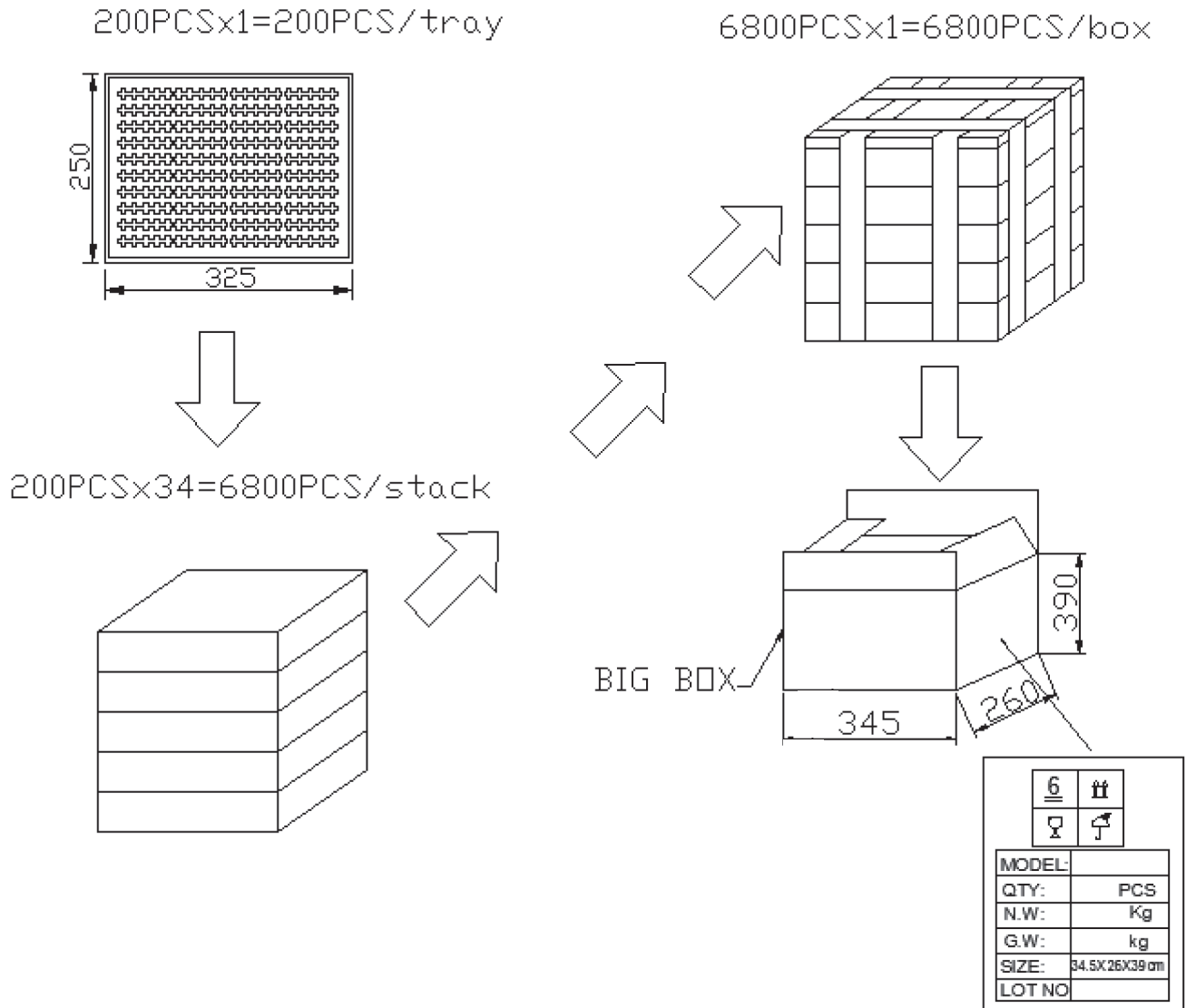
Total Harmonic Distortion Curve



PACKAGING

units: mm

Tray QTY: 200 pcs per tray
 Carton Size: 345 x 260 x 390 mm
 Carton QTY: 6,800 pcs per carton



REVISION HISTORY

| rev. | description | date |
|------|-----------------------------------|------------|
| 1.0 | initial release | 07/24/2018 |
| 1.01 | brand update | 01/23/2020 |
| 1.02 | logo, datasheet style update | 08/05/2022 |
| 1.03 | updated datasheet | 05/20/2024 |
| 1.04 | CUI Devices rebranded to Same Sky | 09/12/2024 |

The revision history provided is for informational purposes only and is believed to be accurate.



Same Sky offers a one (1) year limited warranty. Complete warranty information is listed on our website.

Same Sky reserves the right to make changes to the product at any time without notice. Information provided by Same Sky is believed to be accurate and reliable. However, no responsibility is assumed by Same Sky for its use, nor for any infringements of patents or other rights of third parties which may result from its use.

Same Sky products are not authorized or warranted for use as critical components in equipment that requires an extremely high level of reliability. A critical component is any component of a life support device or system whose failure to perform can be reasonably expected to cause the failure of the life support device or system, or to affect its safety or effectiveness.

[sameskydevices.com](https://www.sameskydevices.com)