

**MODEL:** CMS-15116-SP | **DESCRIPTION:** SPEAKER**FEATURES**

- 6  $\Omega$  impedance
- micro-speaker
- small footprint
- spring leads

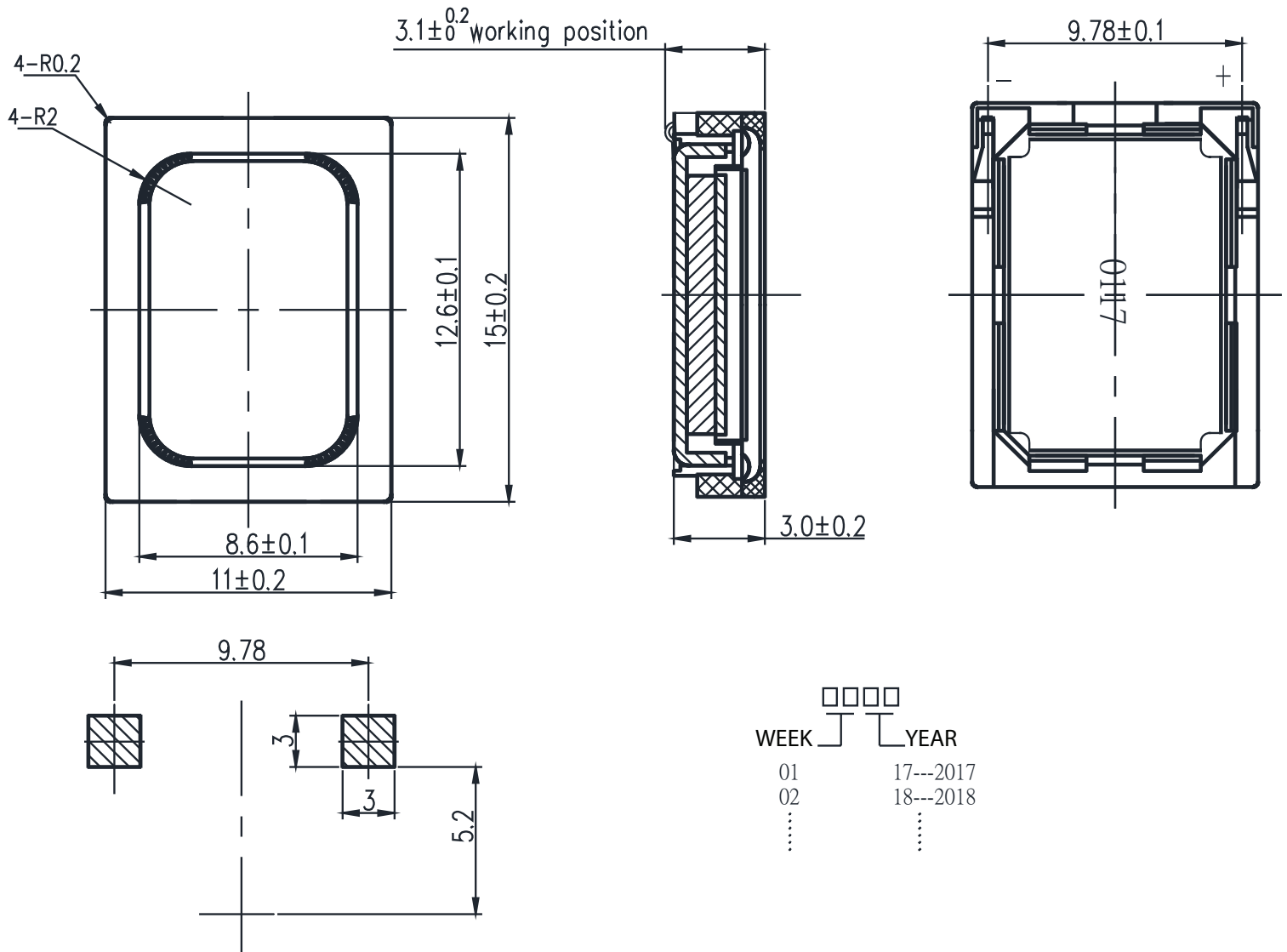
**SPECIFICATIONS**

parameter	conditions/description	min	typ	max	units
input power	maximum power: IEC-60268-5, filter 60s on/120s off, 10 cycles at room temp in 1 cc closed box		0.94	1.3	W
impedance	at 2.0 kHz, 1.0 V	5.1	6	6.9	$\Omega$
resonant frequency (Fo)	at 1.0 V at 1.0 V in 1cc closed box	467.5 765	550 900	632.5 1,035	Hz Hz
frequency response	output SPL $\pm 10$ dB	Fo		15,000	Hz
sound pressure level	at 0.94 W, 0.1 m ave, at 1.0, 1.5, 2.0, 3.0 kHz in 1 cc closed box	86	89	92	dB
distortion	at 1.0 kHz, 0.94 W			10	%
buzz, rattle, etc.	must be normal at sine wave between Fo ~ 20 kHz in 1 cc closed box		2.37		V
polarity	cone will move forward with positive dc current to "+" terminal				
dimensions	15 x 11 x 3				mm
magnet	Nd-Fe-B				
material	PPA				
cone material	PEEK				
terminal	spring contact				
weight			1.4		g
operating temperature		-30		70	$^{\circ}$ C
storage temperature		-40		85	$^{\circ}$ C
RoHS	yes				

Notes: 1. All specifications measured at 5-35 $^{\circ}$ C, humidity at 45-85%, under 86-106 kPa pressure, unless otherwise noted.

## MECHANICAL DRAWING

units: mm  
tolerance:  $\pm 0.2$  mm



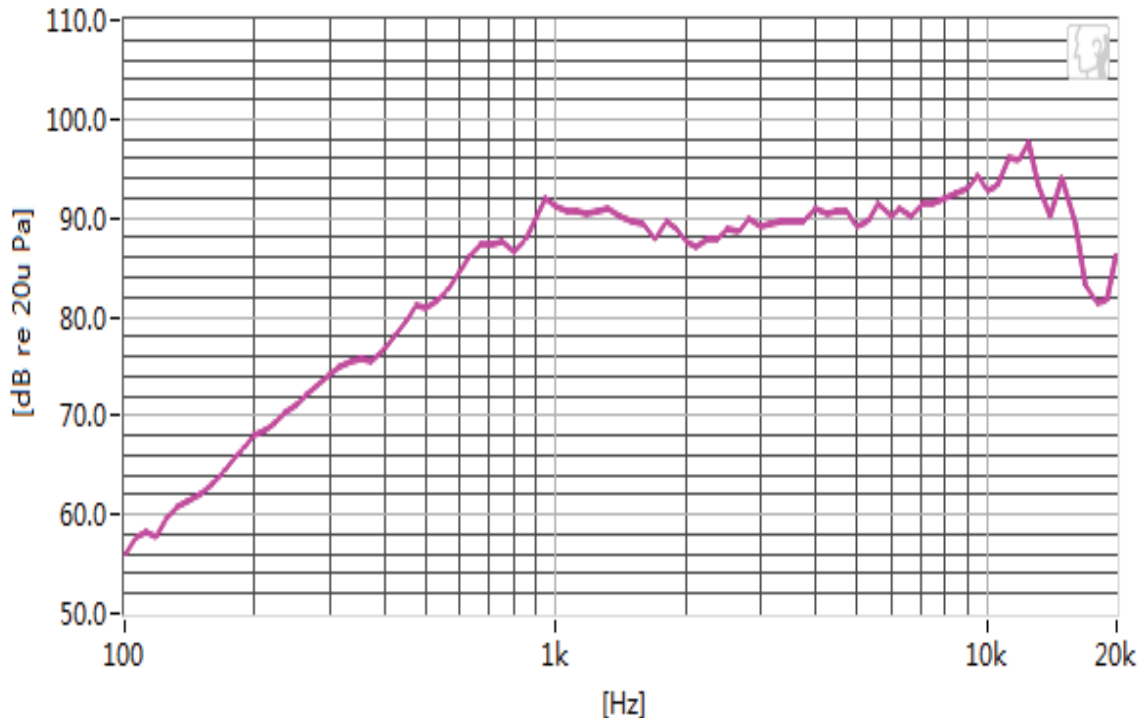
WEEK	YEAR
01	17---2017
02	18---2018
...	...

Recommended Pad Layout  
Top View

## RESPONSE CURVES

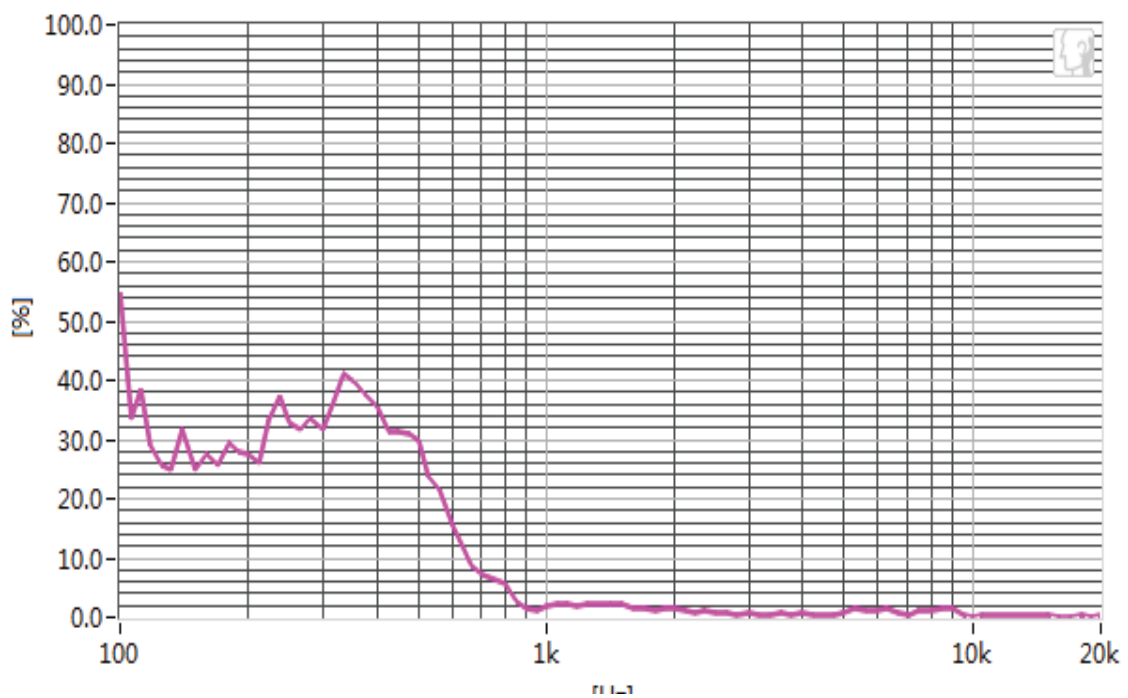
### Frequency Response Curve

Test condition: 0.94W/10cm in 1cc box



### Total Harmonic Distortion Curve

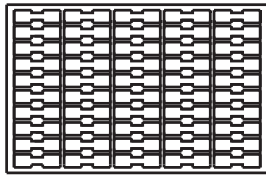
Test condition: 0.94W/10cm in 1cc closed box



## PACKAGING

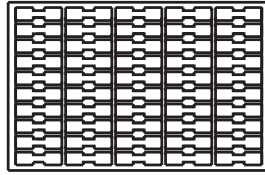
units: mm

Tray Size: 220 x 300 x 8 mm  
 Inner Unit Size: 220 x 300 x 85 mm  
 Carton Size: 460 x 320 x 120 mm  
 Tray QTY: 100 pcs per tray  
 Inner Unit QTY: 1,000 pcs per unit  
 Carton QTY: 2,000 pcs per carton  
 N.W.: 2.7 KGS  
 G.W.: 3.95 KGS



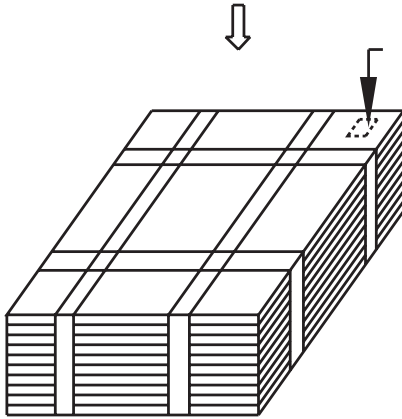
Paper+Bubble cotton(100 PCS)

220×300×8

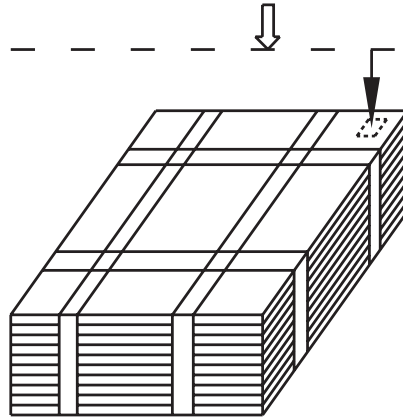


Paper+Bubble cotton(1000 PCS)

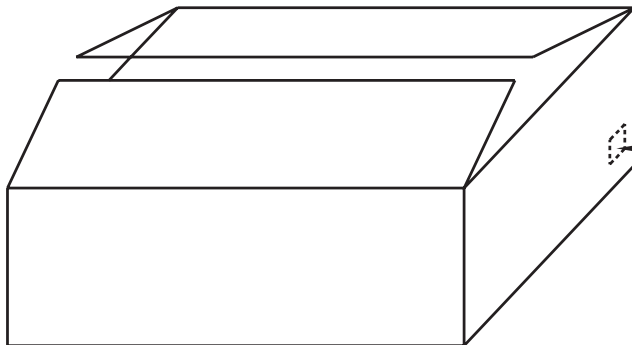
220×300×85



1000PCS  
220×300×85



1000PCS  
220×300×85



CARTON BOX(2000PCS)  
460×320×120

Lot No.	XXXXXXXXXX
Model No.	Inv#: Part#.
Quantity.	XXXX Pcs
Date:	DD MM YY
	MADE IN CHINA

**RoHs Compliant**

\* The label stucked on inner boxes and the outer of carton.

## REVISION HISTORY

rev.	description	date
1.0	initial release	08/14/2017
1.01	updated datasheet	12/19/2017
1.02	brand update	01/21/2020
1.03	logo, datasheet style update	08/05/2022
1.04	CUI Devices rebranded to Same Sky	09/11/2024

The revision history provided is for informational purposes only and is believed to be accurate.



Same Sky offers a one (1) year limited warranty. Complete warranty information is listed on our website.

Same Sky reserves the right to make changes to the product at any time without notice. Information provided by Same Sky is believed to be accurate and reliable. However, no responsibility is assumed by Same Sky for its use, nor for any infringements of patents or other rights of third parties which may result from its use.

Same Sky products are not authorized or warranted for use as critical components in equipment that requires an extremely high level of reliability. A critical component is any component of a life support device or system whose failure to perform can be reasonably expected to cause the failure of the life support device or system, or to affect its safety or effectiveness.

[sameskydevices.com](https://www.sameskydevices.com)