

MODEL: CMS-26418N | **DESCRIPTION:** SPEAKER**FEATURES**

- miniature speaker
- 520 Hz resonant frequency
- Nd-Fe-B magnet

**SPECIFICATIONS**

| parameter | conditions/description | min | typ | max | units |
|-------------------------|--|----------|----------|----------|--------------------|
| input power | maximum power: IEC-60268-5, filter 60s on/120s off, 10 cycles at room temp | | 0.2 | 0.3 | W |
| impedance | at 1.0 kHz, 1.0 V | 6.8 | 8 | 9.2 | Ω |
| resonant frequency (Fo) | at 1.0 V | 416 | 520 | 624 | Hz |
| frequency response | output SPL ± 10 dB | Fo | | 6,500 | Hz |
| sound pressure level | at 0.2 W, 0.1 m ave, at 1.0, 1.2, 1.5, 2.0 kHz at 1 W, 1 m ave, at 1.0, 1.2, 1.5, 2.0 kHz | 89 76 | 92 79 | 95 82 | dB dB |
| distortion | at 1.0 kHz, 0.2 W | | | 10 | % |
| buzz, rattle, etc. | must be normal at sine wave between Fo ~ 6,500 Hz | | 1.26 | | V |
| dimensions | $\varnothing 26.0 \times 4.1$ | | | | mm |
| magnet | Nd-Fe-B ($\varnothing 9.5 \times 1.5$ mm) | | | | |
| material | metal | | | | |
| cone material | Pet | | | | |
| terminal | solder pads | | | | |
| weight | | | 4.8 | | g |
| operating temperature | | -20 | | 55 | $^{\circ}\text{C}$ |
| storage temperature | | -20 | | 55 | $^{\circ}\text{C}$ |
| RoHS | yes | | | | |

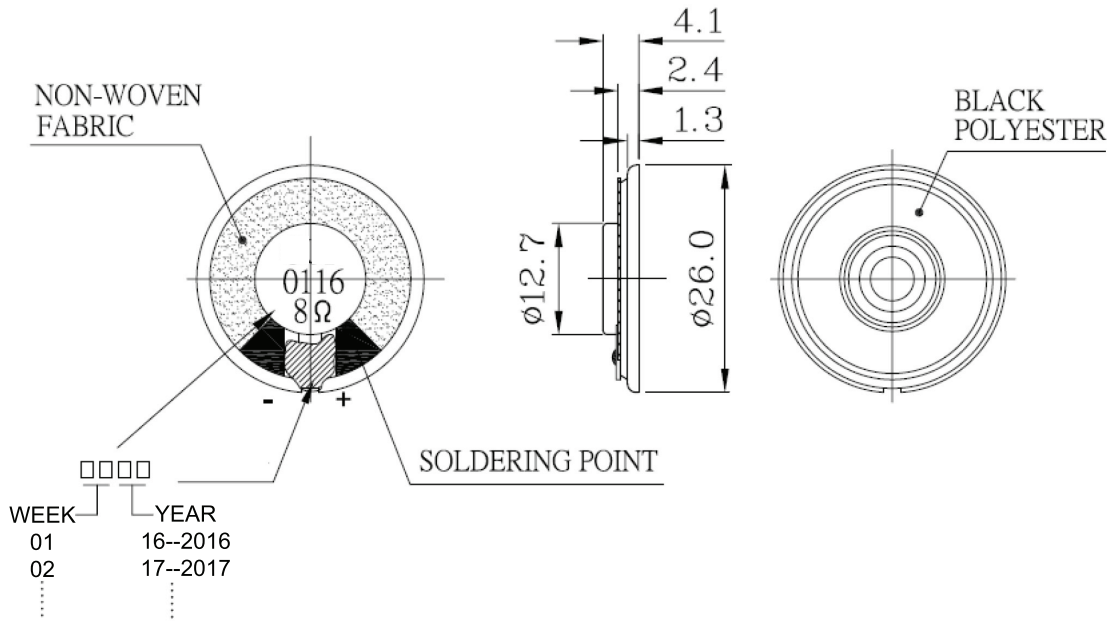
Notes: 1. All specifications measured at 5-35 $^{\circ}\text{C}$, humidity at 45-85%, under 86-106 kPa pressure, unless otherwise noted.

SOLDERABILITY

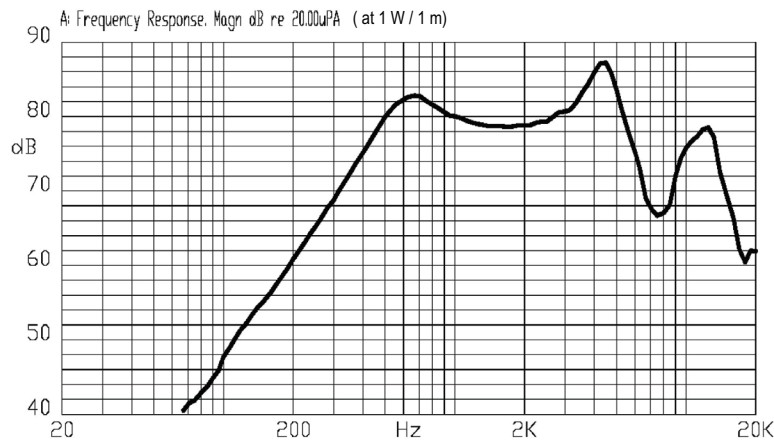
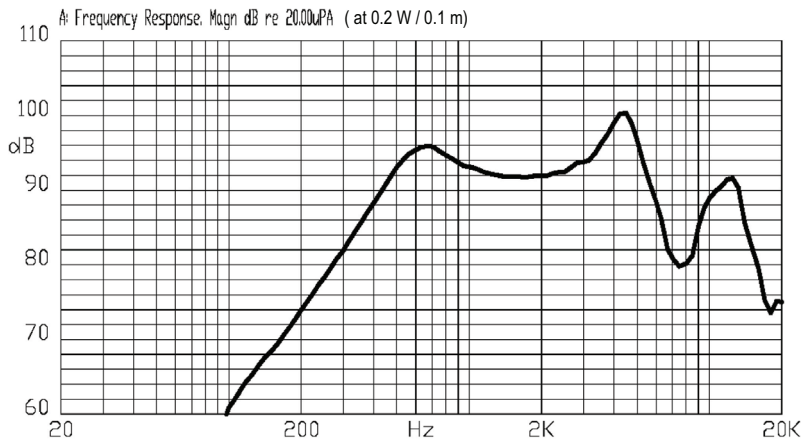
| parameter | conditions/description | min | typ | max | units |
|----------------|------------------------|-----|-----|-----|--------------------|
| hand soldering | for 3 ± 1 seconds | 360 | 370 | 380 | $^{\circ}\text{C}$ |

MECHANICAL DRAWING

units: mm
tolerance: ± 0.3 mm



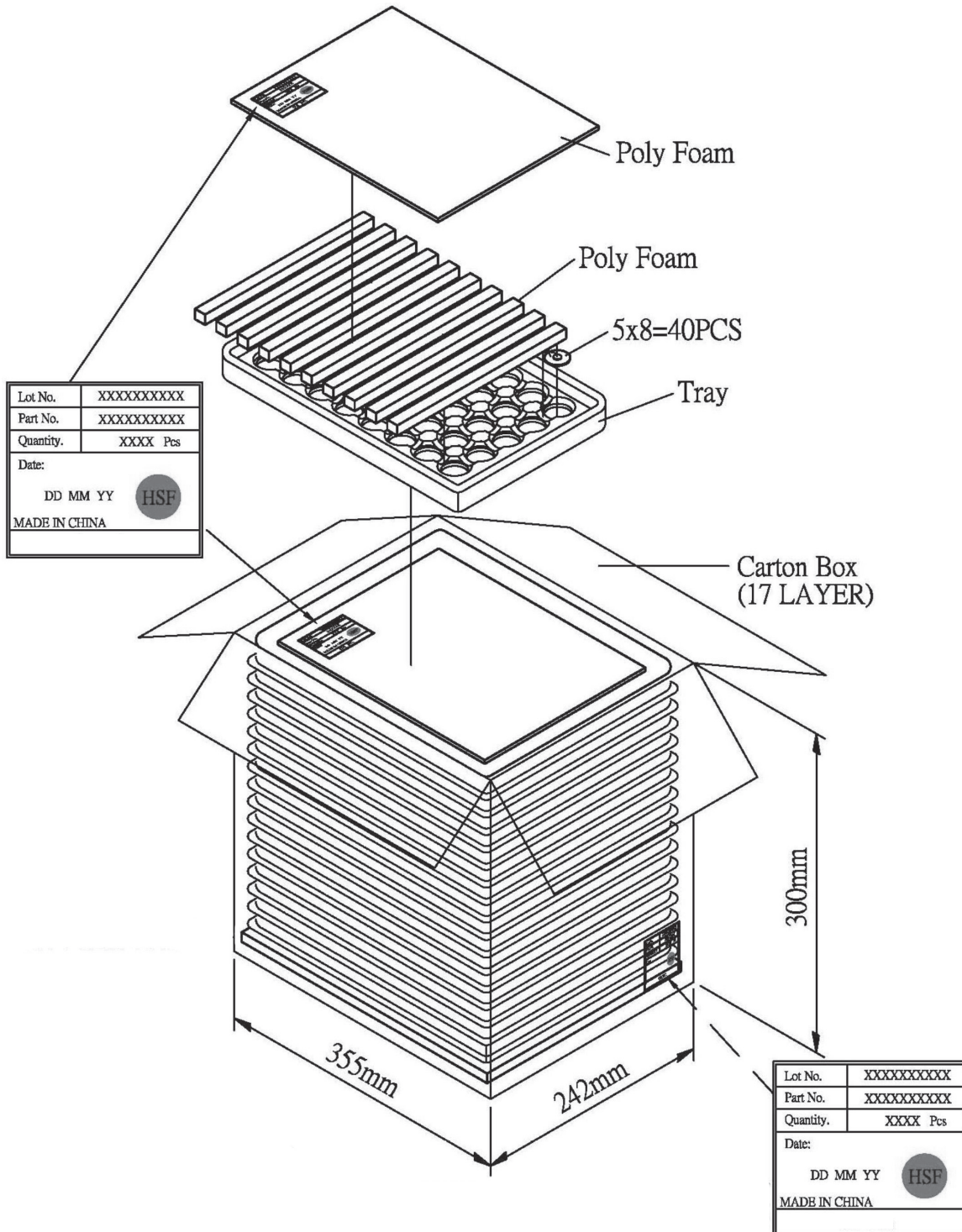
FREQUENCY RESPONSE CURVES



PACKAGING

units: mm

Tray Size: 350 x 235 x 25 mm
 Carton Size: 355 x 242 x 300 mm
 Tray QTY: 40 pcs per tray
 Carton QTY: 680 pcs per carton



REVISION HISTORY

| rev. | description | date |
|------|-----------------------------------|------------|
| 1.0 | initial release | 06/24/2016 |
| 1.01 | brand update | 01/21/2020 |
| 1.02 | logo, datasheet style update | 08/05/2022 |
| 1.03 | CUI Devices rebranded to Same Sky | 09/11/2024 |

The revision history provided is for informational purposes only and is believed to be accurate.



Same Sky offers a one (1) year limited warranty. Complete warranty information is listed on our website.

Same Sky reserves the right to make changes to the product at any time without notice. Information provided by Same Sky is believed to be accurate and reliable. However, no responsibility is assumed by Same Sky for its use, nor for any infringements of patents or other rights of third parties which may result from its use.

Same Sky products are not authorized or warranted for use as critical components in equipment that requires an extremely high level of reliability. A critical component is any component of a life support device or system whose failure to perform can be reasonably expected to cause the failure of the life support device or system, or to affect its safety or effectiveness.

[sameskydevices.com](https://www.sameskydevices.com)