


**MODEL:** CMS-3646-18S | **DESCRIPTION:** SPEAKER

**FEATURES**

- coiled spring contact
- low profile
- 8  $\Omega$  impedance
- rated 1.0 W

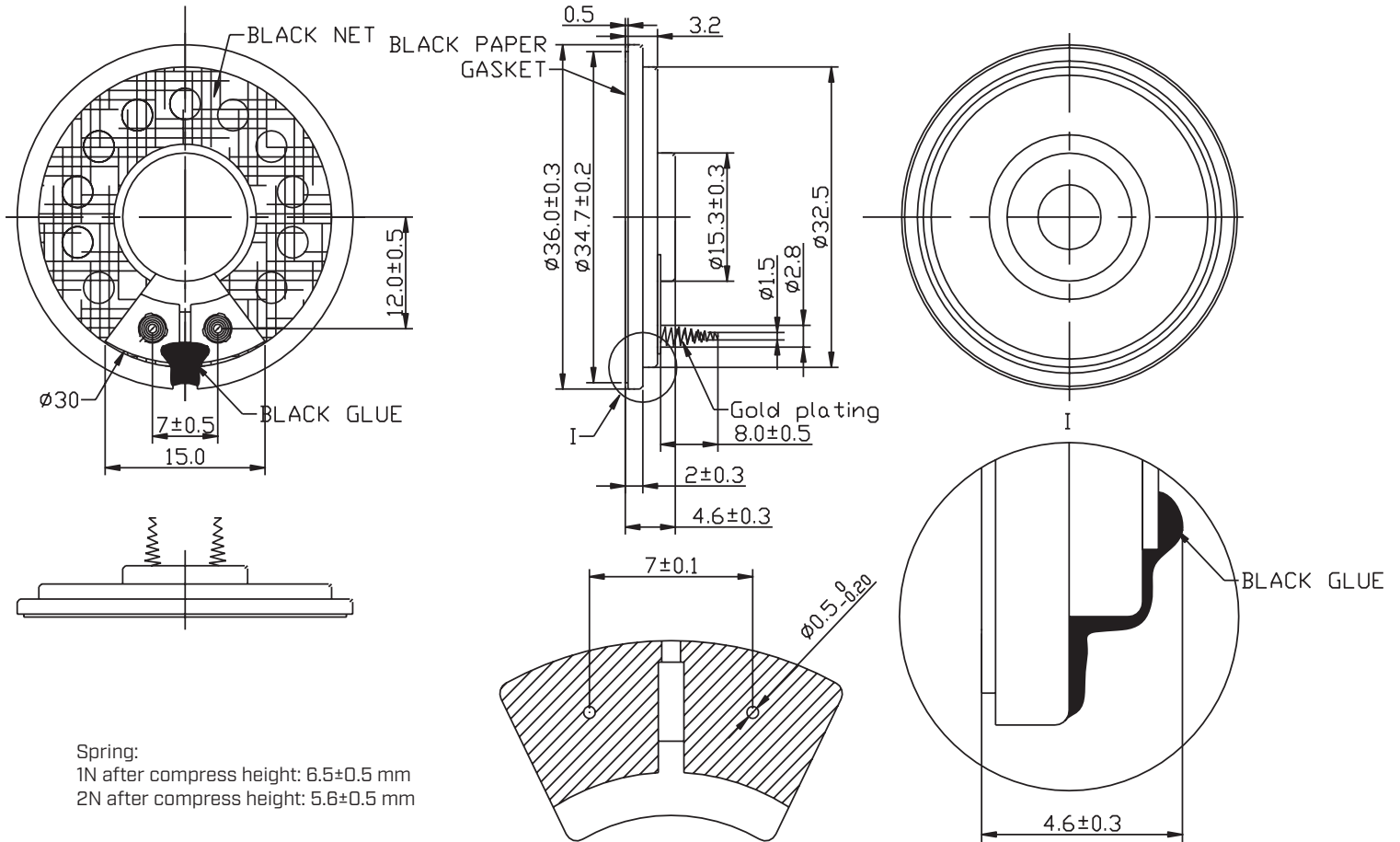

**SPECIFICATIONS**

parameter	conditions/description	min	typ	max	units
input power	max power: 60 seconds on, 120 seconds off, 10 cycles		1.0	1.5	W
impedance	at 2.0 kHz, 1.0 V	6.8	8	9.2	$\Omega$
resonant frequency (Fo)	at 1.0 V	400	500	600	Hz
frequency response		Fo		4,500	Hz
sound pressure level	at 0.1 W, 10 cm, avg at 0.8, 1.0, 1.2, 1.5 kHz	88	91	94	dB
	at 1.0 W, 10 cm, avg at 0.8, 1.0, 1.2, 1.5 kHz	98	101	104	dB
distortion	at 1.0 kHz, 1.0 W			5	%
buzz, rattle, etc.	must be normal at sine wave, between Fo - 4.5 kHz			2.83	V
polarity	cone moves forward w/ positive dc current to "+" terminal				
dimensions	$\varnothing 36 \times 4.6$				mm
magnet	Nd-Fe-B				
frame material	SPCC				
cone material	PET				
terminal	spring terminals				
weight			12		g
operating temperature		-30		60	$^{\circ}\text{C}$
storage temperature		-30		60	$^{\circ}\text{C}$
RoHS	yes				

Notes: 1. All specifications measured at 15-35 $^{\circ}\text{C}$ , humidity at 45-85%, under 86-106 kPa pressure, unless otherwise noted.

## MECHANICAL DRAWING

units: mm  
 tolerance:  $\pm 0.3$  mm  
 unless otherwise specified



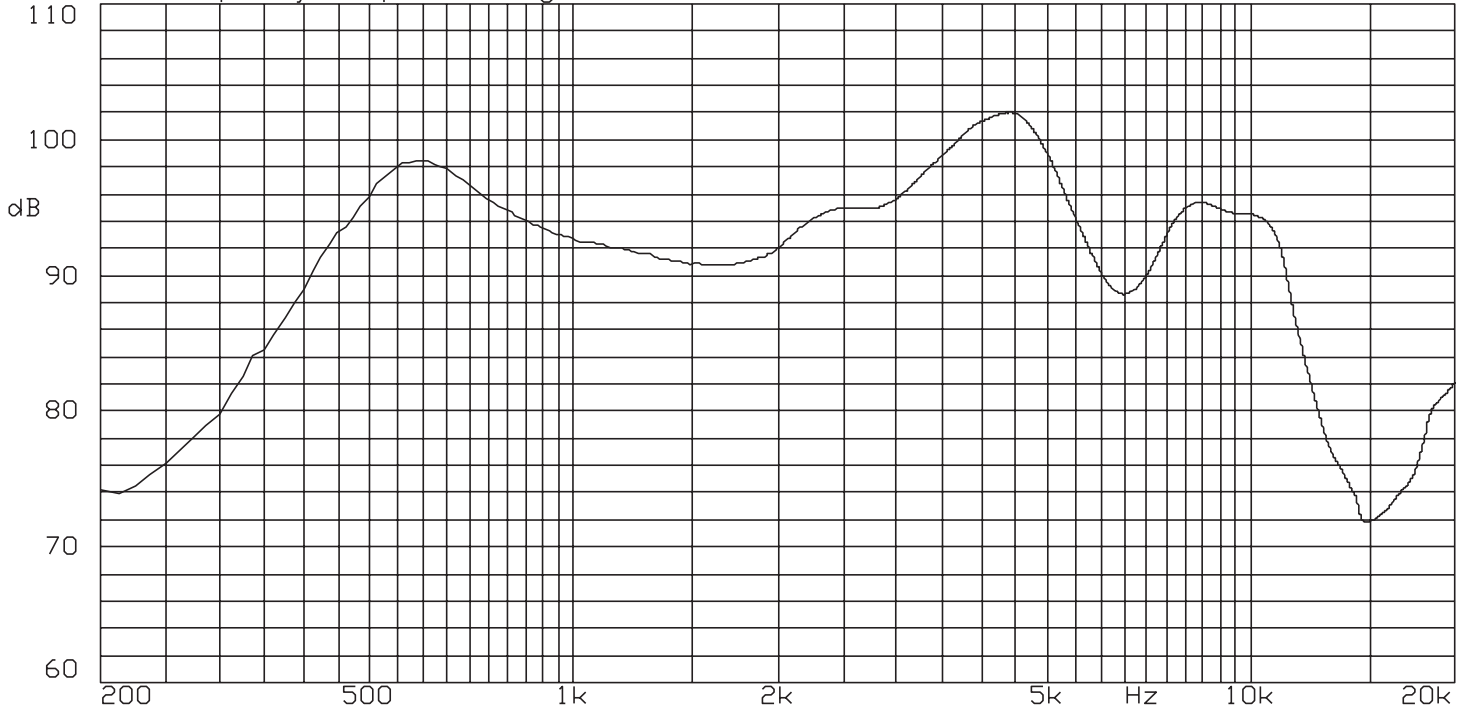
Spring:  
 1N after compress height:  $6.5 \pm 0.5$  mm  
 2N after compress height:  $5.6 \pm 0.5$  mm

## RESPONSE CURVES

### Frequency Response Curve

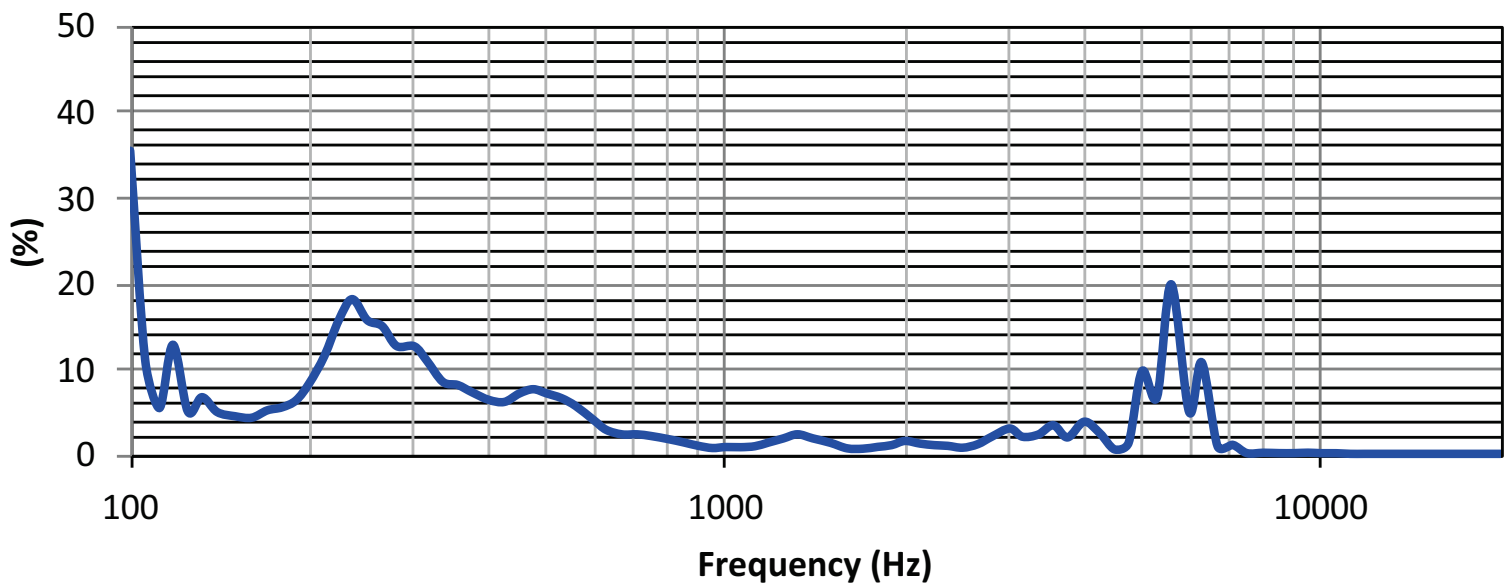
Test Conditions: 0.1 W / 10 cm

A: Frequency Response, Magn dB re 20.00 $\mu$ Pa/v



### Total Harmonic Distortion Curve

Test Conditions: 0.1 W / 10 cm



## REVISION HISTORY

rev.	description	date
1.0	initial release	04/04/2024
1.01	CUI Devices rebranded to Same Sky	09/11/2024

The revision history provided is for informational purposes only and is believed to be accurate.



Same Sky offers a one (1) year limited warranty. Complete warranty information is listed on our website.

Same Sky reserves the right to make changes to the product at any time without notice. Information provided by Same Sky is believed to be accurate and reliable. However, no responsibility is assumed by Same Sky for its use, nor for any infringements of patents or other rights of third parties which may result from its use.

Same Sky products are not authorized or warranted for use as critical components in equipment that requires an extremely high level of reliability. A critical component is any component of a life support device or system whose failure to perform can be reasonably expected to cause the failure of the life support device or system, or to affect its safety or effectiveness.

[sameskydevices.com](https://www.sameskydevices.com)