


MODEL: CMS-4028-54E | **DESCRIPTION:** SPEAKER

FEATURES

- 4 ohm
- rated 5 W
- solder eyelets

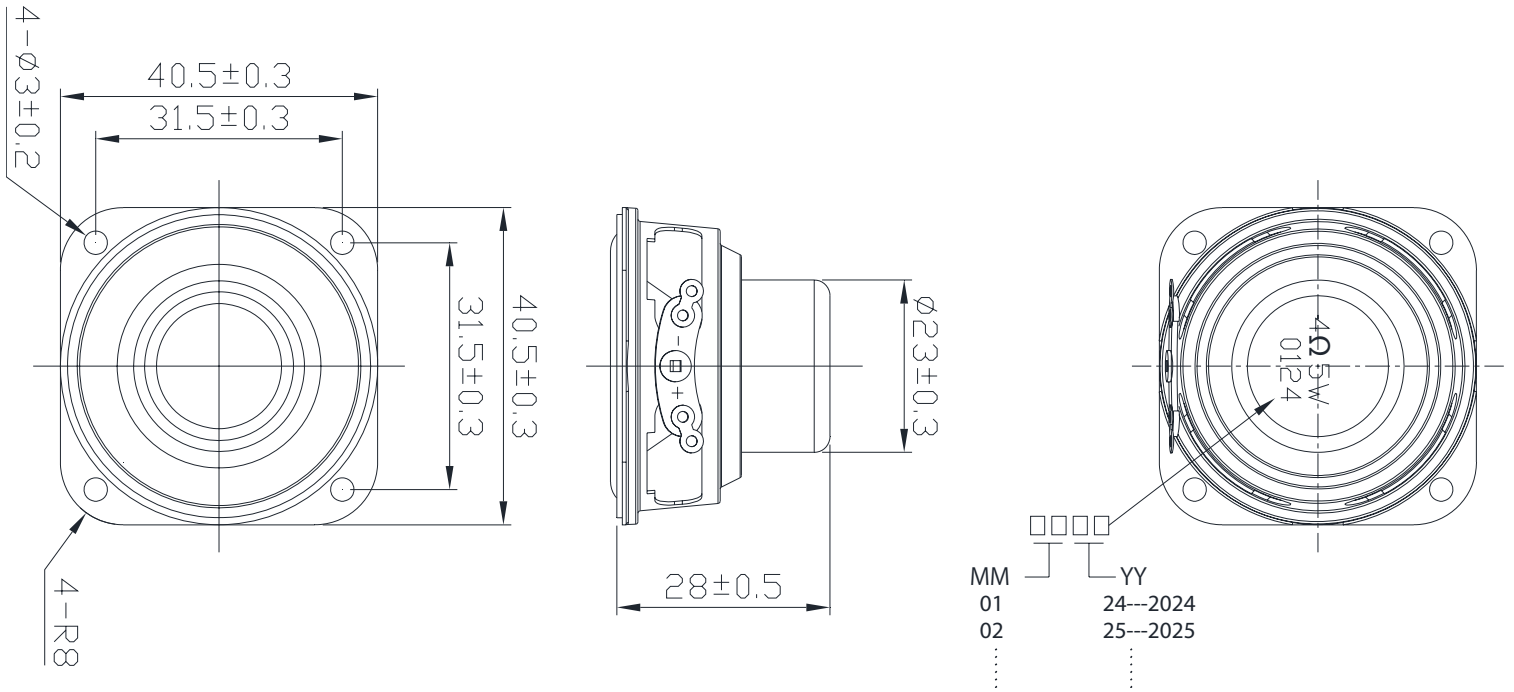

SPECIFICATIONS

parameter	conditions/description	min	typ	max	units
input power	maximum power: IEC-60268-5 filter 60s on/120s off 10 cycles (room temp.)		5.0	7.0	W
impedance	at 1.0 kHz DCR	3.40 2.89	4.00 3.40	4.60 3.91	Ω Ω
resonant frequency (Fo)	at 1.0 V	112	140	168	Hz
frequency response		150		20,000	Hz
sound pressure level	at 5.0 W, 1 m, avg at 0.4, 0.5, 0.6, 0.8 kHz at 1.0 W, 1 m, avg at 0.4, 0.5, 0.6, 0.8 kHz	81 74	84 77	87 80	dB dB
distortion	at 1.0 kHz, 1 W			5	%
buzz, rattle, etc.	must be normal at sine wave, from Fo to 20 kHz			4.5	V
polarity	cone moves forward w/ positive dc current to "+" terminal				
dimensions	40.5 x 40.5 x 28.0				mm
magnet	Nd-Fe-B				
frame material	metal				
cone material	rubber + paper				
terminal	solder eyelets				
weight		38.76	45.60	52.44	g
operating temperature		-40		75	$^{\circ}\text{C}$
storage temperature		-40		85	$^{\circ}\text{C}$
hand soldering	for 3 \pm 1 seconds	360	370	380	$^{\circ}\text{C}$
RoHS	yes				

Notes: 1. All specifications measured at 15-35 $^{\circ}\text{C}$, humidity at 45-85%, under 86-106 kPa pressure, unless otherwise noted.

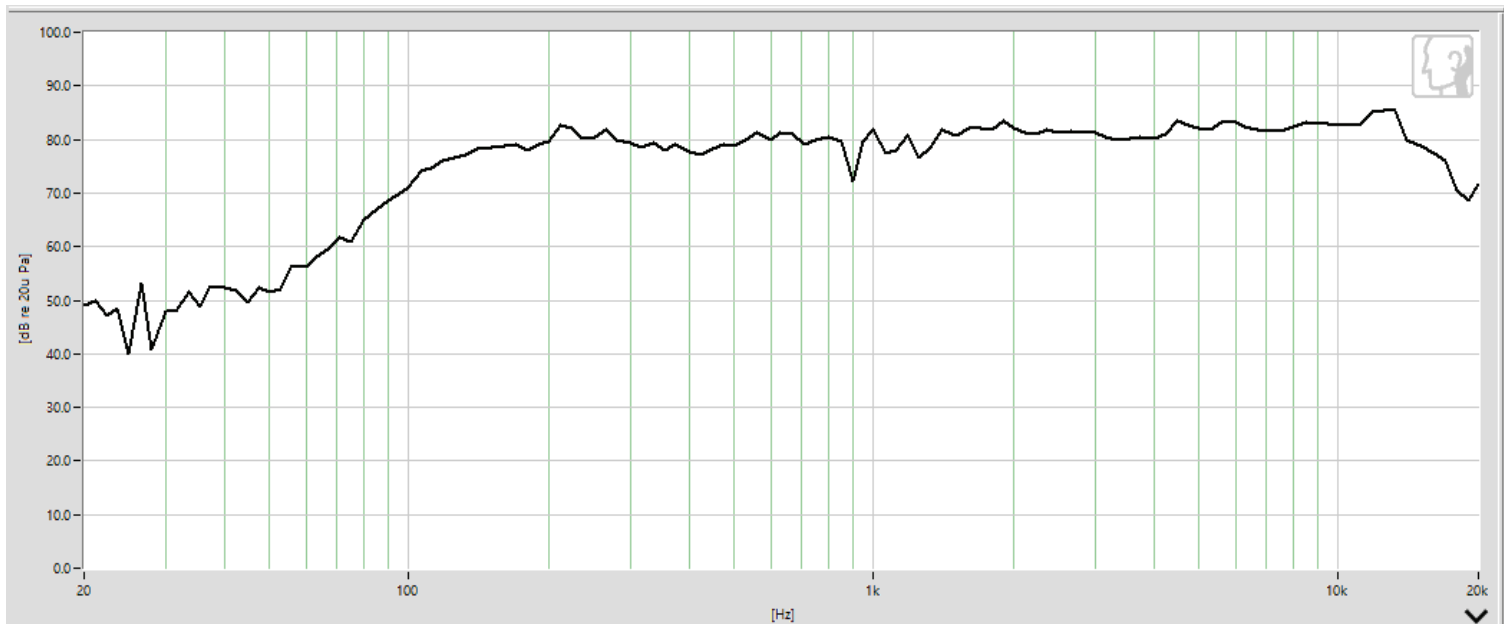
MECHANICAL DRAWING

units: mm
tolerance: ± 0.3 mm

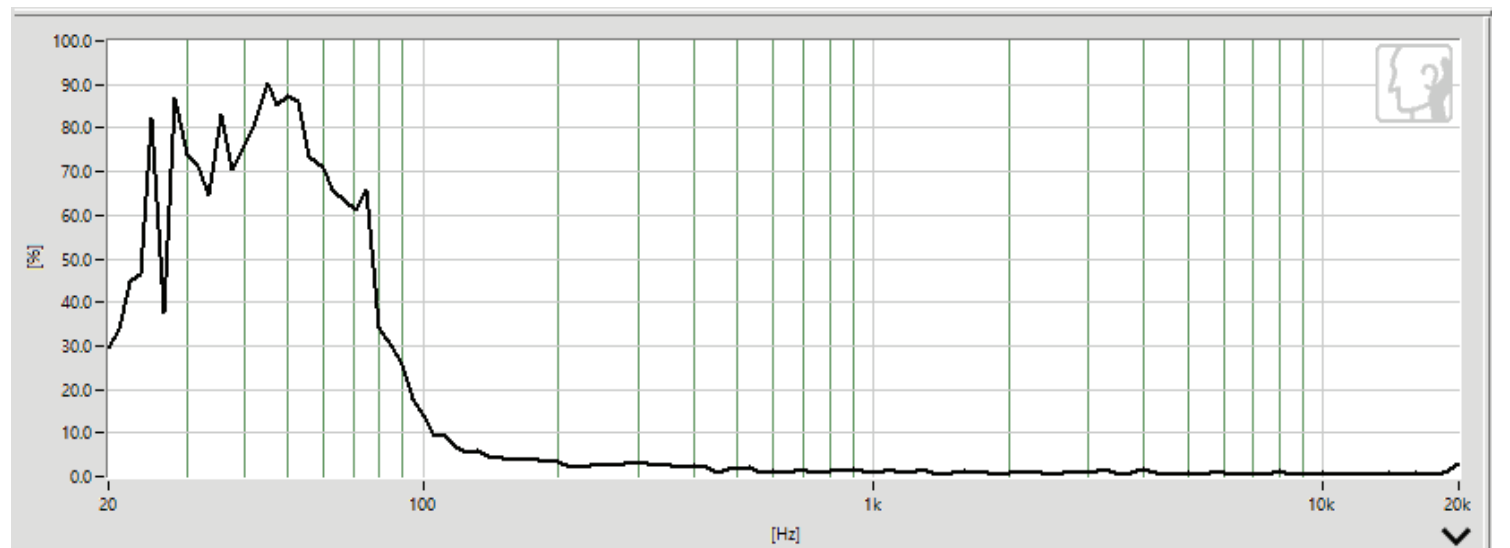


RESPONSE CURVES

Frequency Response Curve



Total Harmonic Distortion Curve



REVISION HISTORY

rev.	description	date
1.0	initial release	06/14/2024
1.01	CUI Devices rebranded to Same Sky	09/11/2024

The revision history provided is for informational purposes only and is believed to be accurate.



Same Sky offers a one (1) year limited warranty. Complete warranty information is listed on our website.

Same Sky reserves the right to make changes to the product at any time without notice. Information provided by Same Sky is believed to be accurate and reliable. However, no responsibility is assumed by Same Sky for its use, nor for any infringements of patents or other rights of third parties which may result from its use.

Same Sky products are not authorized or warranted for use as critical components in equipment that requires an extremely high level of reliability. A critical component is any component of a life support device or system whose failure to perform can be reasonably expected to cause the failure of the life support device or system, or to affect its safety or effectiveness.

[sameskydevices.com](https://www.sameskydevices.com)