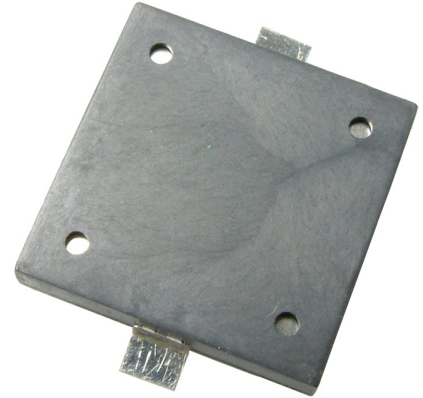


**MODEL:** CMT-1604-SMT-TR | **DESCRIPTION:** PIEZO BUZZER TRANSDUCER

**FEATURES**

- low current
- low profile
- externally driven


**SPECIFICATIONS**

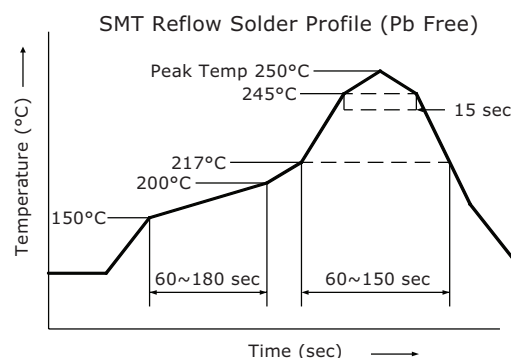
parameter	conditions/description	min	typ	max	units
operating voltage				25	Vp-p
current consumption	at 3 Vp-p, 4,000 Hz square wave			5	mA
rated frequency			4,000		Hz
sound pressure level	at 10 cm, 3 Vp-p, 4,000 Hz square wave	81			dB
electrostatic capacity	at 1 KHz, 1 V	14,000	20,000	26,000	pF
dimensions	16 x 16 x 2.6				mm
weight			0.96		g
material	LCP (white) + PCB (FR4)				
terminal	SMT type (Au plating)				
operating temperature		-40		120	°C
storage temperature		-40		120	°C
RoHS	yes				

Notes: 1. All specifications measured at 5-35°C, humidity at 45-85%, under 86-106 kPa pressure, unless otherwise noted.

**SOLDERABILITY**

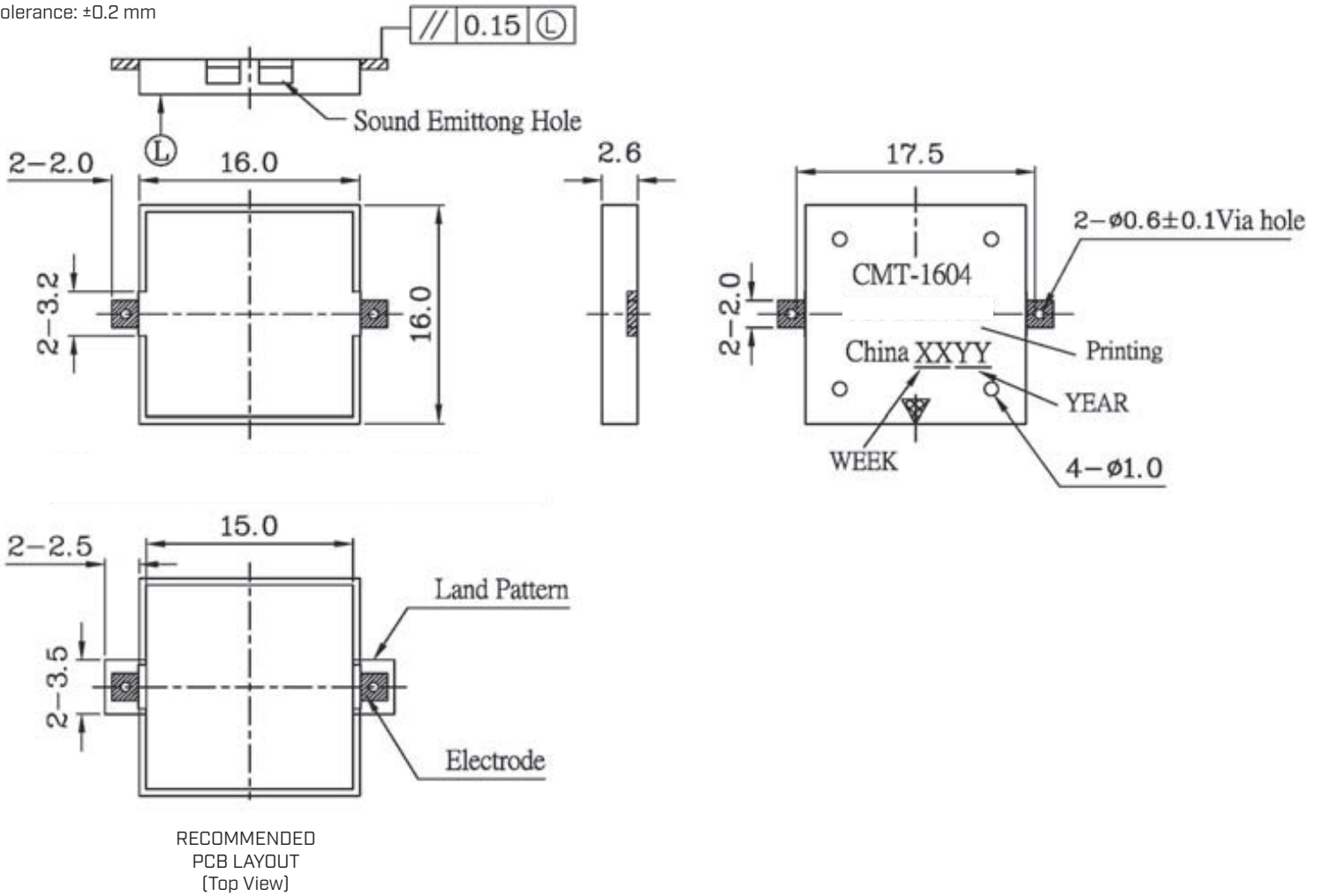
parameter	conditions/description	min	typ	max	units
reel storage	at relative humidity <60%			30	°C
reflow soldering <sup>2</sup>	see recommended reflow soldering profile			250	°C
drying conditions <sup>3</sup>	bake at 40°C for 24 hours				

Note: 2. It is recommended to reflow solder within 48 hours from opening vacuum packaging at a temperature <30°C & relative humidity <60%.  
3. When out of packaging for more than 48 hours.

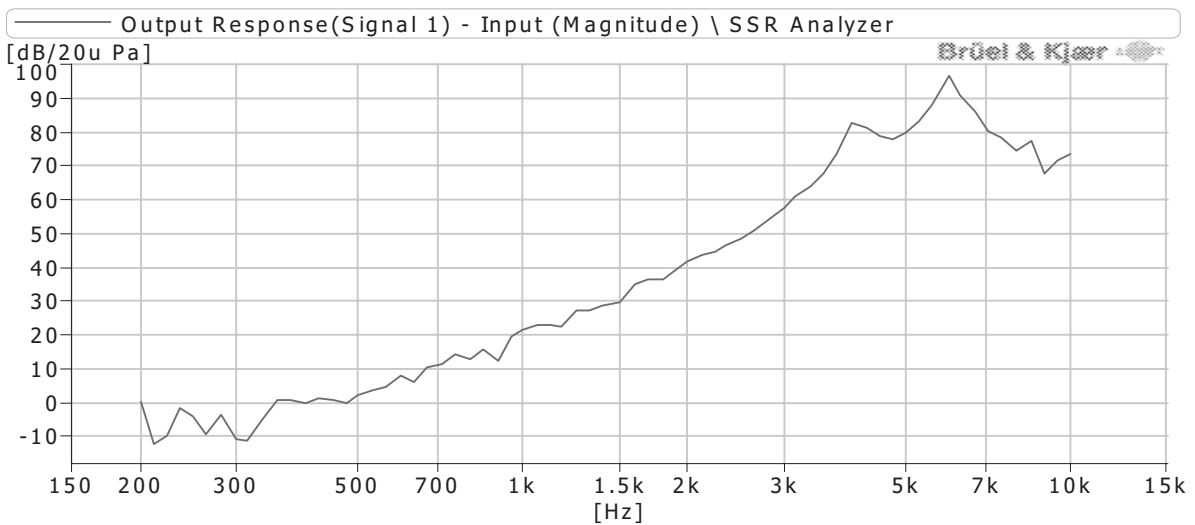


## MECHANICAL DRAWING

units: mm  
tolerance: ±0.2 mm



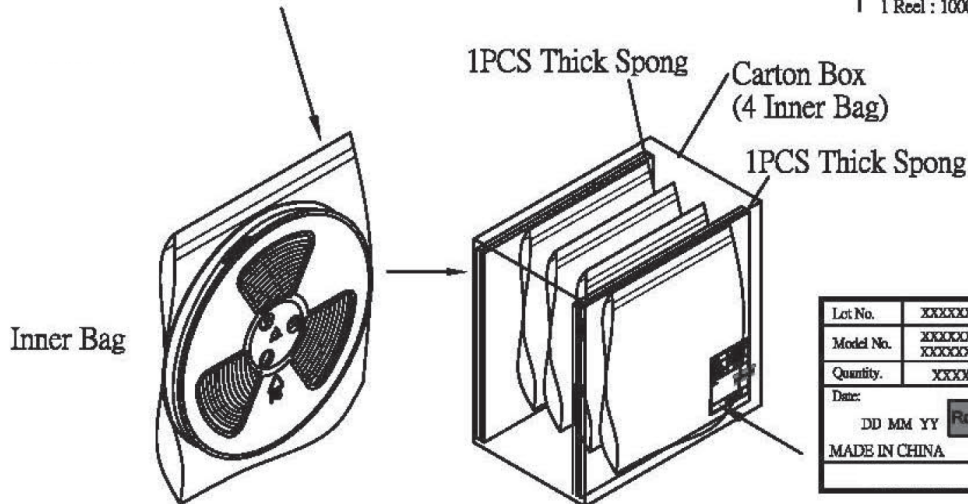
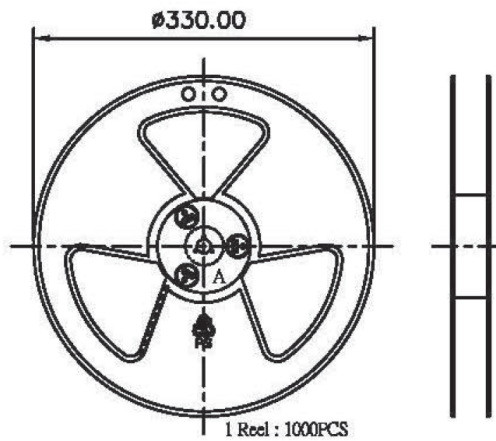
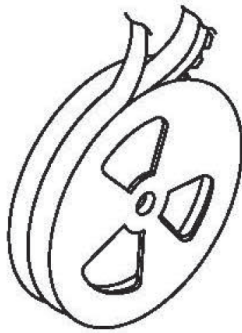
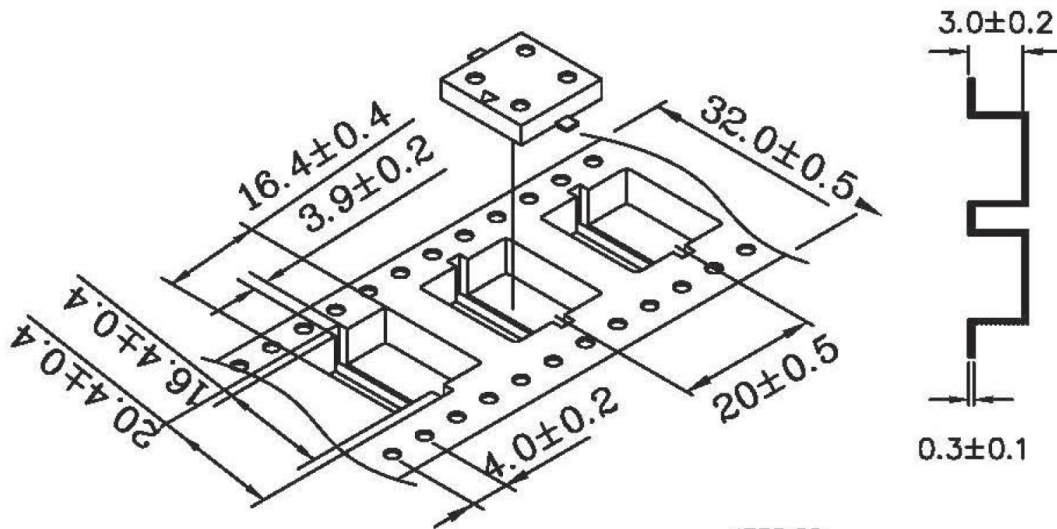
## FREQUENCY RESPONSE CURVE



## PACKAGING

units: mm

Reel Size:  $\varnothing 330$  mm  
 Carton Size: 340 x 170 x 340 mm  
 Reel QTY: 1,000 pcs per reel  
 Carton QTY: 4,000 pcs per carton



Lot No.	XXXXXXXXXX
Model No.	XXXXXXXXXX XXXXXXXXXX
Quantity.	XXXX Pcs
Date:	DD MM YY
	RoHS Compliant
	MADE IN CHINA

Vacuum bag contains desiccant

## REVISION HISTORY

rev.	description	date
1.0	initial release	07/15/2010
1.01	updated part number, added TR package option, applied new spec template	05/13/2013
1.02	added storage and drying conditions, and tape and reel packaging details	02/01/2018
1.03	brand update	01/06/2020
1.04	updated packaging	10/23/2020
1.05	logo, datasheet style update	08/05/2022
1.06	CUI Devices rebranded to Same Sky	09/11/2024

The revision history provided is for informational purposes only and is believed to be accurate.



Same Sky offers a one (1) year limited warranty. Complete warranty information is listed on our website.

Same Sky reserves the right to make changes to the product at any time without notice. Information provided by Same Sky is believed to be accurate and reliable. However, no responsibility is assumed by Same Sky for its use, nor for any infringements of patents or other rights of third parties which may result from its use.

Same Sky products are not authorized or warranted for use as critical components in equipment that requires an extremely high level of reliability. A critical component is any component of a life support device or system whose failure to perform can be reasonably expected to cause the failure of the life support device or system, or to affect its safety or effectiveness.

[sameskydevices.com](https://www.sameskydevices.com)