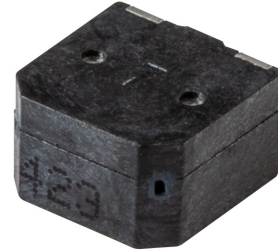





MODEL: CMT-6504-85-SMT-TR | **DESCRIPTION:** MAGNETIC BUZZER TRANSDUCER

FEATURES

- magnetic
- 90 dB @ 0.1 m
- side contacts



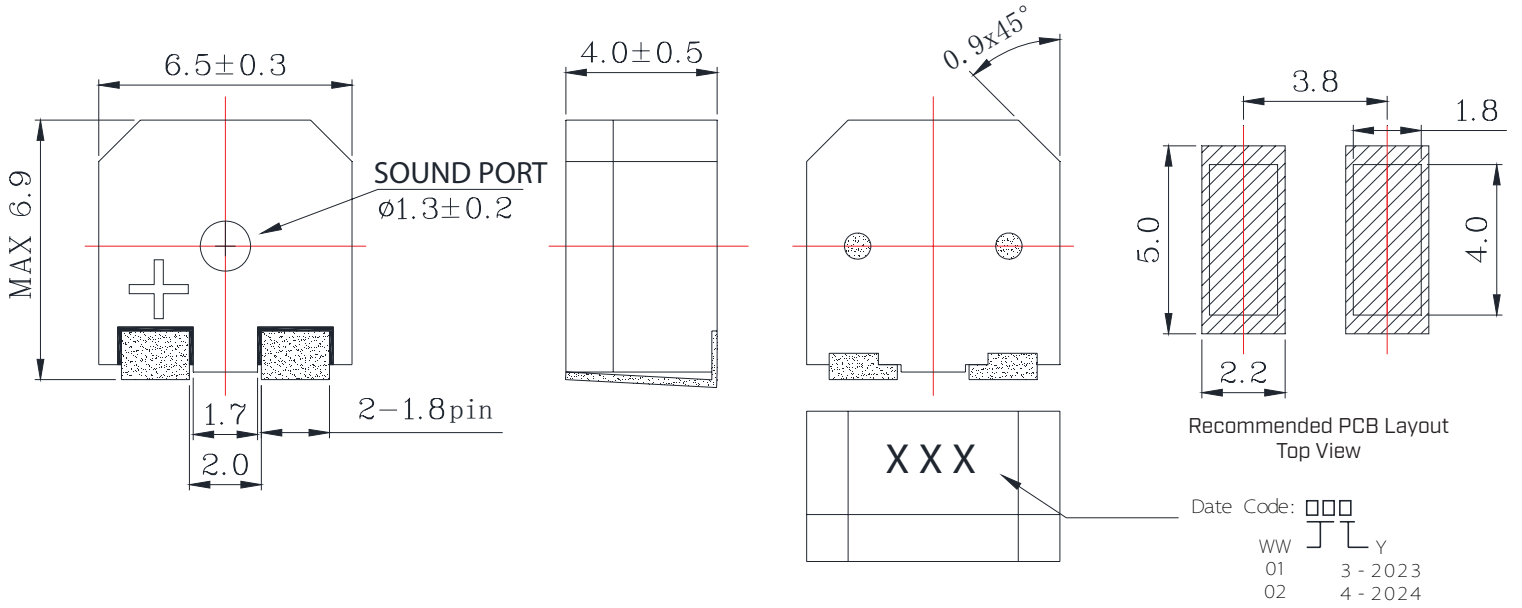
SPECIFICATIONS

parameter	conditions/description	min	typ	max	units
rated voltage	V_{o-p} 		3.6		V_{o-p}
operating voltage		2.5		4.5	V_{o-p}
current consumption	at rated voltage, 2,700Hz, ½ duty square wave			120	mA
rated frequency			2,700		Hz
sound pressure level	at 10 cm, rated voltage, 2,700 Hz, ½ duty square wave	85	90		dBA
coil resistance		10	12	14	Ω
dimensions	6.5 x 6.5 x 4				mm
weight			0.8		g
material	LCP				
terminal	surface mount (tin plating)				
operating temperature		-40		85	$^{\circ}\text{C}$
storage temperature		-40		85	$^{\circ}\text{C}$
washable	no				
RoHS	yes				

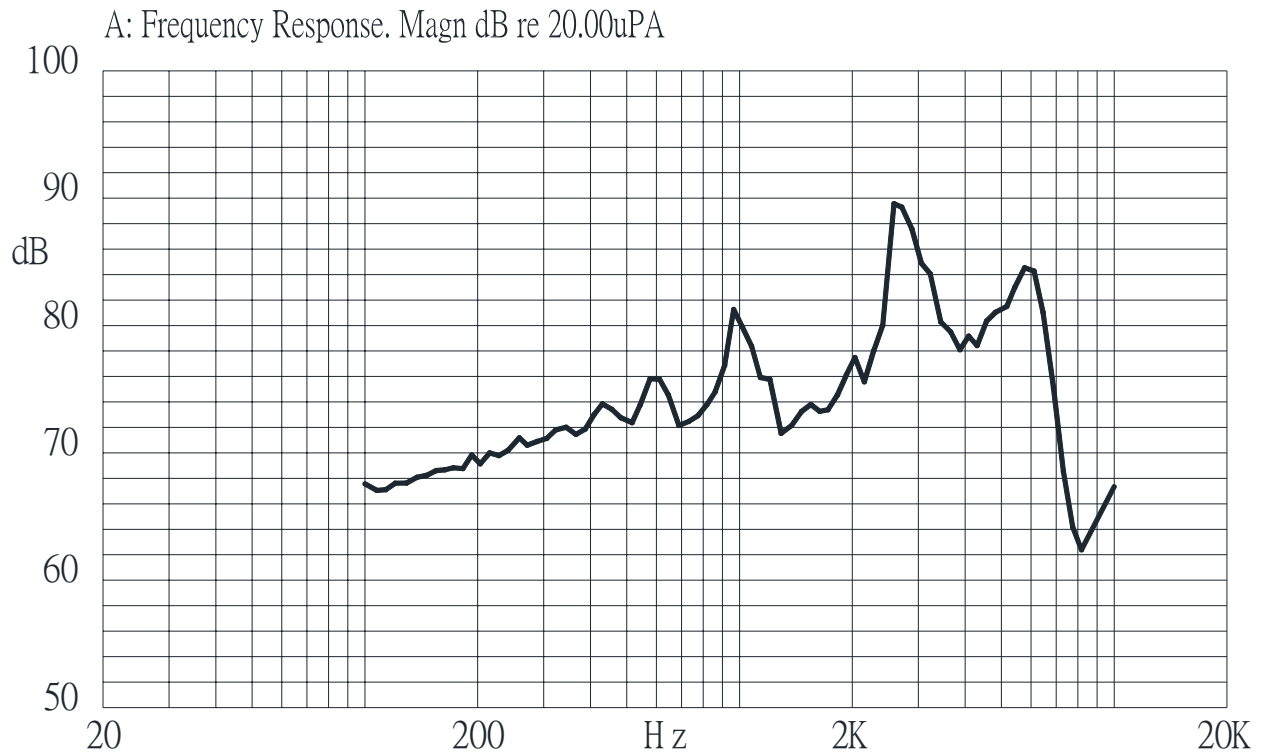
Notes: 1. All specifications measured at 5-35 $^{\circ}\text{C}$, humidity at 45-85%, under 86-106 kPa pressure, unless otherwise noted.

MECHANICAL DRAWING

units: mm
tolerance: ±0.5 mm



FREQUENCY RESPONSE CURVE



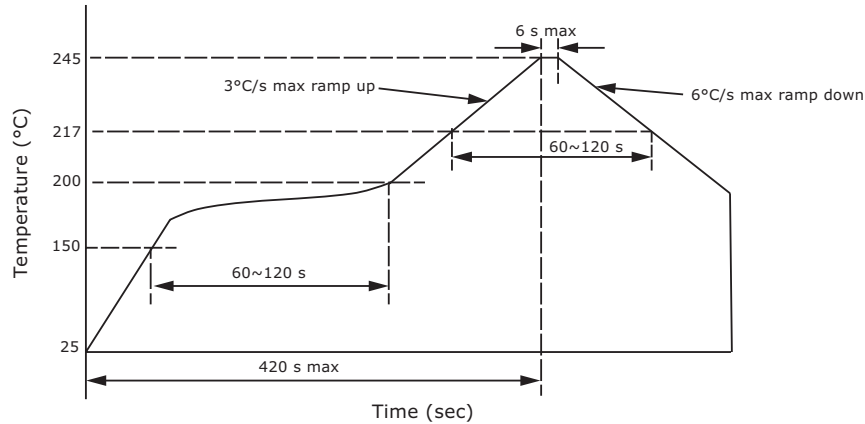
APPLICATION CIRCUIT



SOLDERABILITY

parameter	conditions/description	min	typ	max	units
reflow soldering ⁴	as per IPC/JEDEC J-STD-020C		240	245	°C
drying conditions ⁵	bake at 40°C for 24 hours				

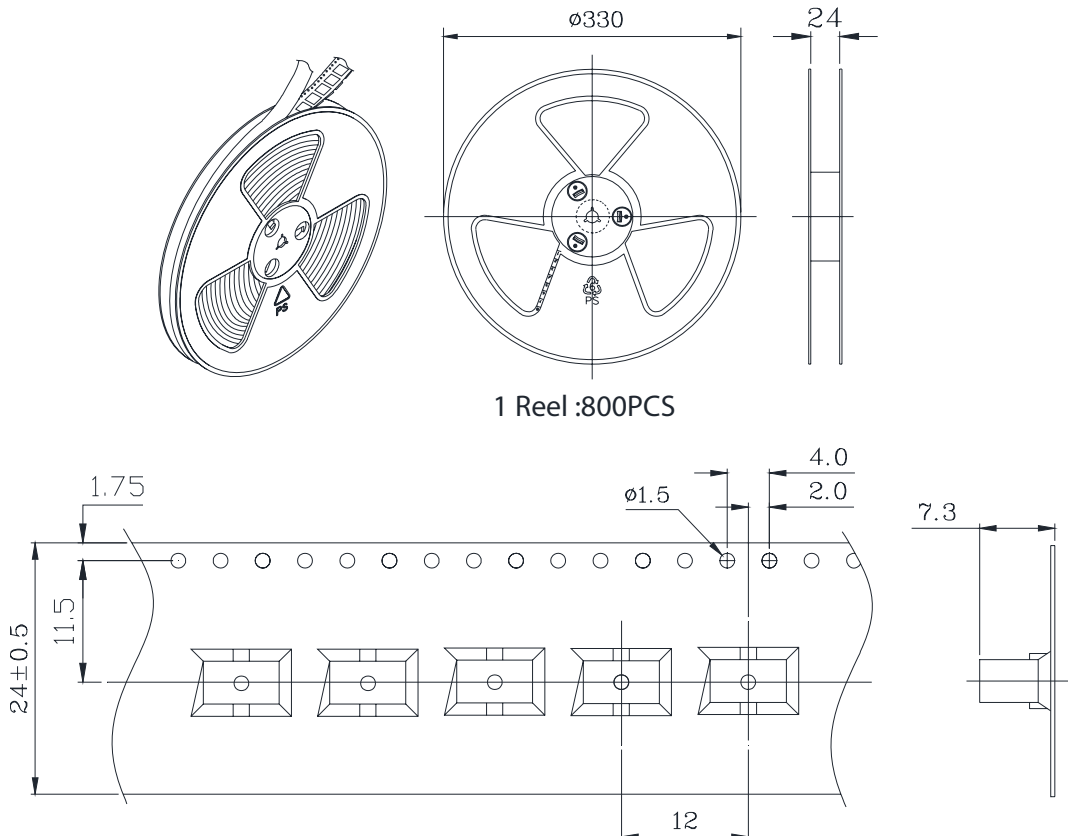
- Note:
- Not suitable for wash process.
 - It is recommended to reflow solder only once.
 - It is recommended to reflow solder within 48 hours from opening vacuum packaging at a temperature <30°C & relative humidity <60%.
 - When out of packaging for more than 48 hours.



PACKAGING

parameter	conditions/description	min	typ	max	units
reel storage ⁶	at relative humidity 15~85%	-10		40	°C
MSL	Class 4				
reel QTY	800				
carton QTY	8,000				

- Note:
- Recommended floor life (out of sealed bag) at <30°C, 60%RH is 72 hours.



1 Reel :800PCS

REVISION HISTORY

rev.	description	date
1.0	initial release	12/19/2023
1.01	CUI Devices rebranded to Same Sky	09/11/2024

The revision history provided is for informational purposes only and is believed to be accurate.



Same Sky offers a one (1) year limited warranty. Complete warranty information is listed on our website.

Same Sky reserves the right to make changes to the product at any time without notice. Information provided by Same Sky is believed to be accurate and reliable. However, no responsibility is assumed by Same Sky for its use, nor for any infringements of patents or other rights of third parties which may result from its use.

Same Sky products are not authorized or warranted for use as critical components in equipment that requires an extremely high level of reliability. A critical component is any component of a life support device or system whose failure to perform can be reasonably expected to cause the failure of the life support device or system, or to affect its safety or effectiveness.

[sameskydevices.com](https://www.sameskydevices.com)