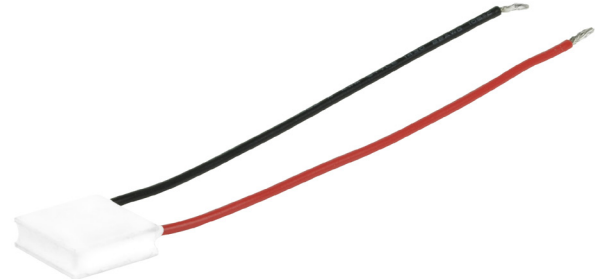




SERIES: CP20 | **DESCRIPTION:** PELTIER MODULE

FEATURES

- solid state device
- small and lightweight
- precise temperature control
- quiet operation



MODEL

| | input voltage ¹ | input current ² | internal resistance ³ | output Qmax ⁴ | | output ΔTmax ⁵ | |
|---------|----------------------------|----------------------------|----------------------------------|--------------------------|--------------------------|---------------------------|---------------------------|
| | max [Vdc] | max [A] | typ [Ω±10%] | T _h =27°C [W] | T _h =50°C [W] | T _h =27°C [°C] | T _h =50°C [°C] |
| CP20151 | 3.8 | 2 | 1.6 | 3.7 | 4.0 | 66 | 72 |
| CP20251 | 8.6 | 2 | 3.5 | 8.5 | 9.4 | 66 | 72 |
| CP20351 | 15.4 | 2 | 6.7 | 15.2 | 16.9 | 66 | 72 |

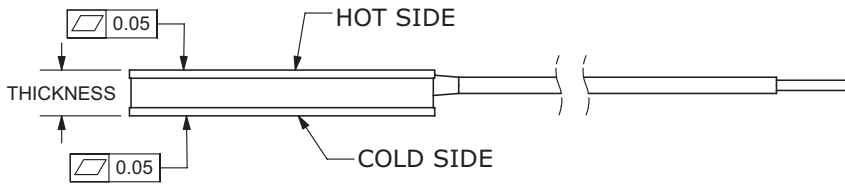
- Notes:
1. Maximum voltage at ΔT max and T_h=27°C
 2. Maximum current to achieve ΔT max
 3. Measured by AC 4-terminal method at 25°C
 4. Maximum heat absorbed at cold side occurs at I_{max}, V_{max}, and ΔT=0°C
 5. Maximum temperature difference occurs at I_{max}, V_{max}, and Q=0W (ΔT max measured in a vacuum at 1.3 Pa)

SPECIFICATIONS

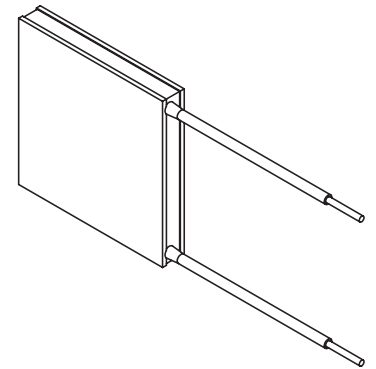
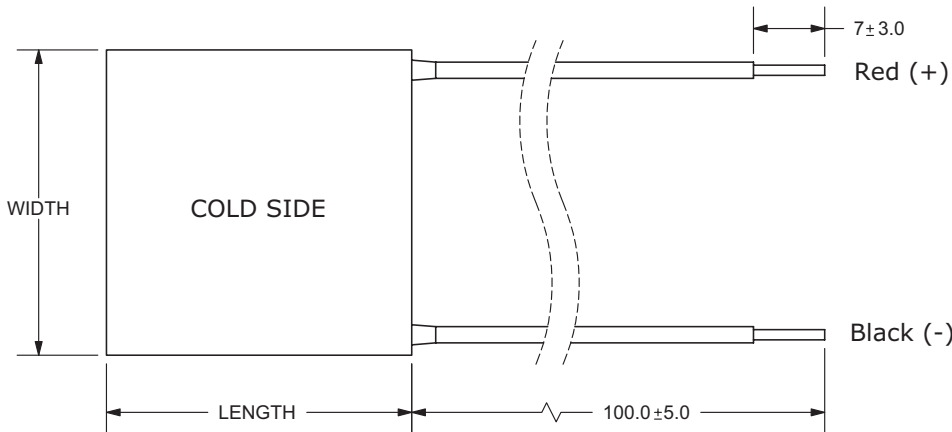
| parameter | conditions/description | min | typ | max | units |
|----------------------------|---|-----|-----|-----|-------|
| solder melting temperature | connection between thermoelectric pairs | 235 | | | °C |
| assembly compression | | | | 1 | MPa |
| hot side plate | | | | 80 | °C |
| RoHS | yes | | | | |

MECHANICAL DRAWING

units: mm

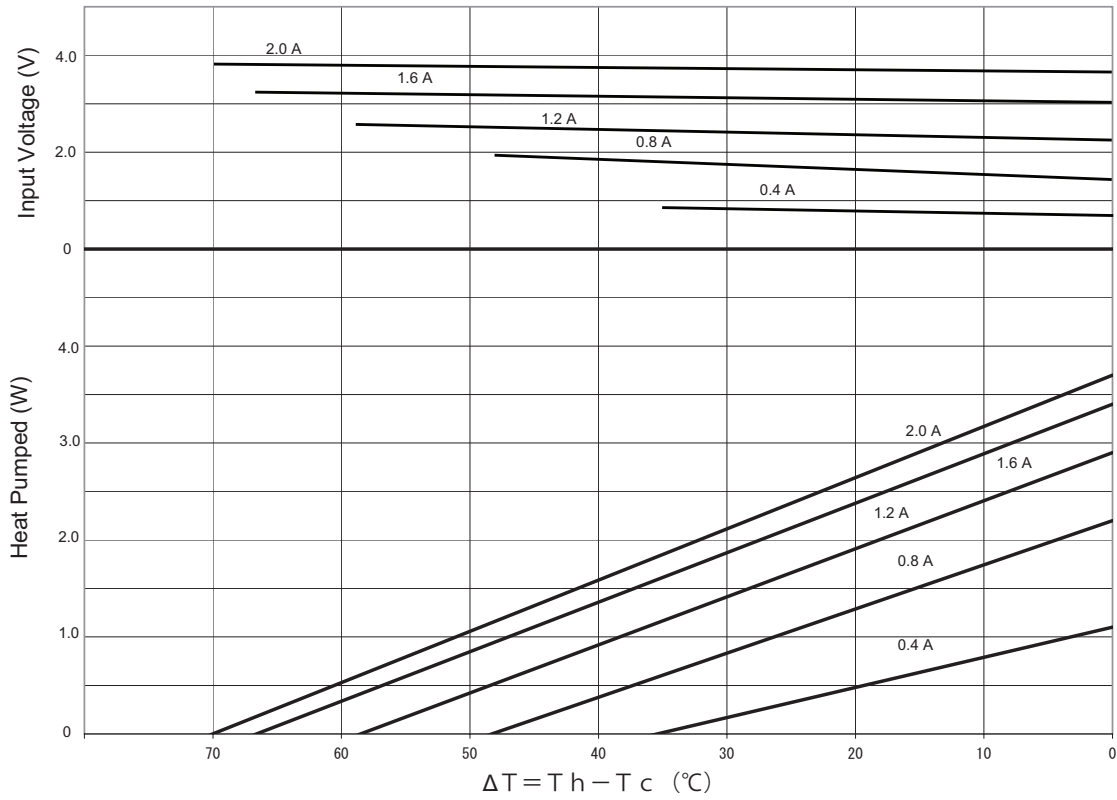


| | MATERIAL | PLATING |
|---------------|---|---------|
| ceramic plate | 96% AL ₂ O ₃ | |
| wire leads | 22 AWG | tin |
| sealer | silicon rubber 703 RTV (between cold and hot side plates) | |
| joint cover | silicon rubber 703 RTV | |
| marking | P/N & S/N printed on cold side surface | |

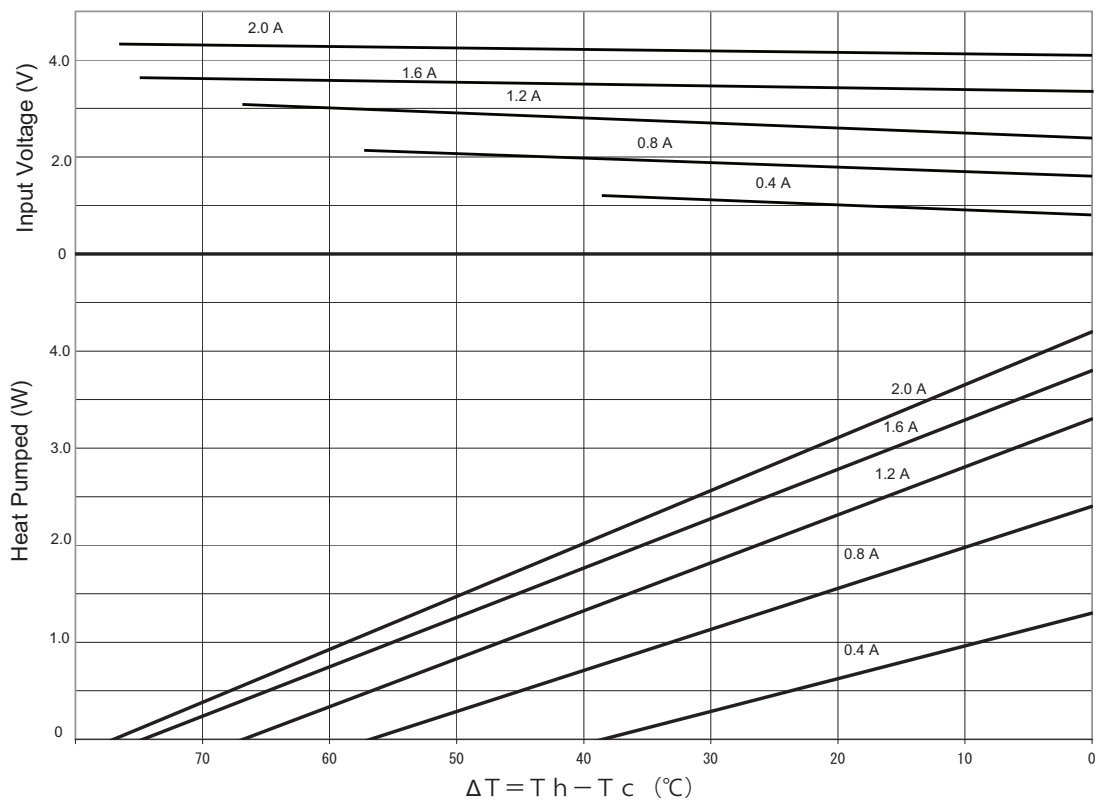


| MODEL NO. | LENGTH [mm] | WIDTH [mm] | THICKNESS [mm] |
|-----------|-------------|------------|----------------|
| CP20151 | 15 ± 0.3 | 15 ± 0.3 | 5.02 ± 0.1 |
| CP20251 | 20 ± 0.3 | 20 ± 0.3 | 5.02 ± 0.1 |
| CP20351 | 30 ± 0.3 | 30 ± 0.3 | 5.02 ± 0.1 |

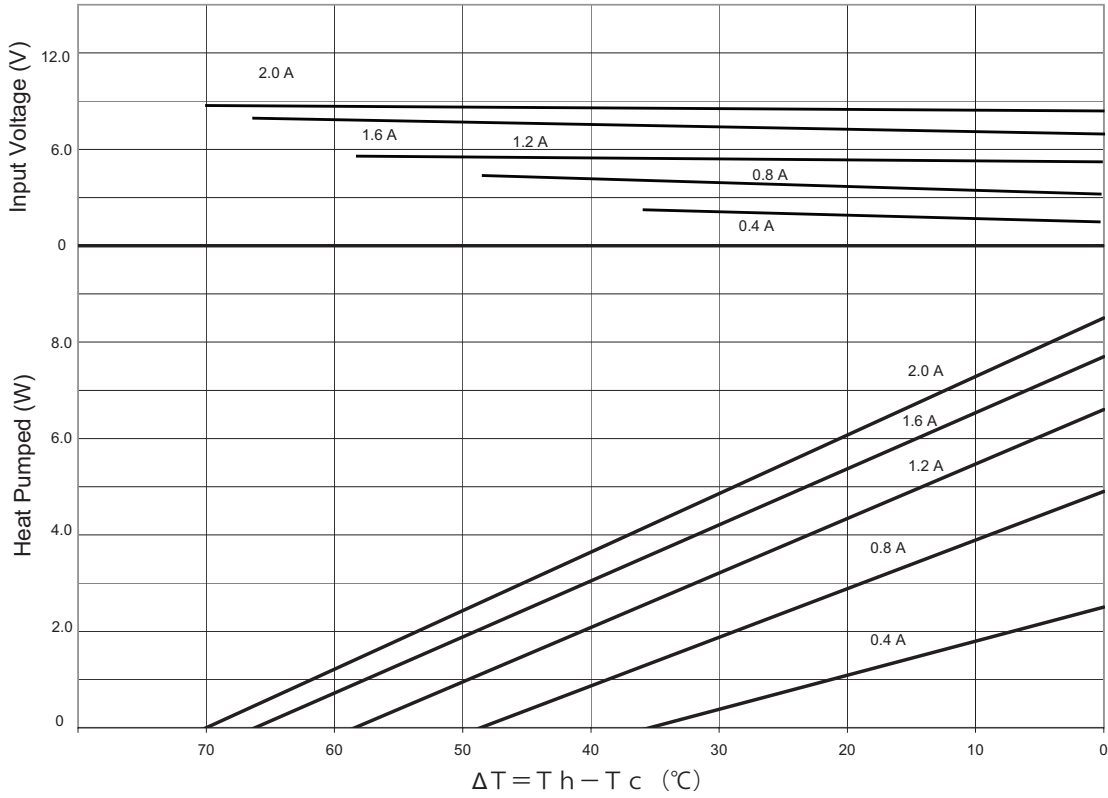
CP20151 PERFORMANCE (Th=27°C)



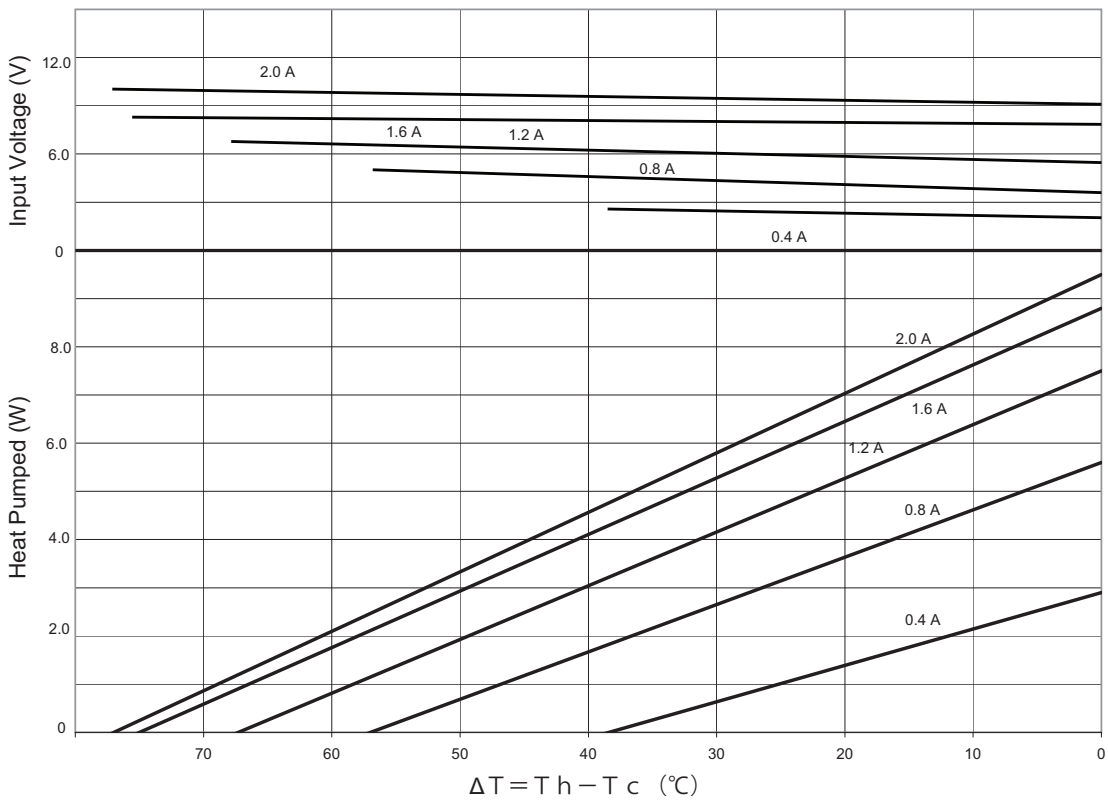
CP20151 PERFORMANCE (Th=50°C)



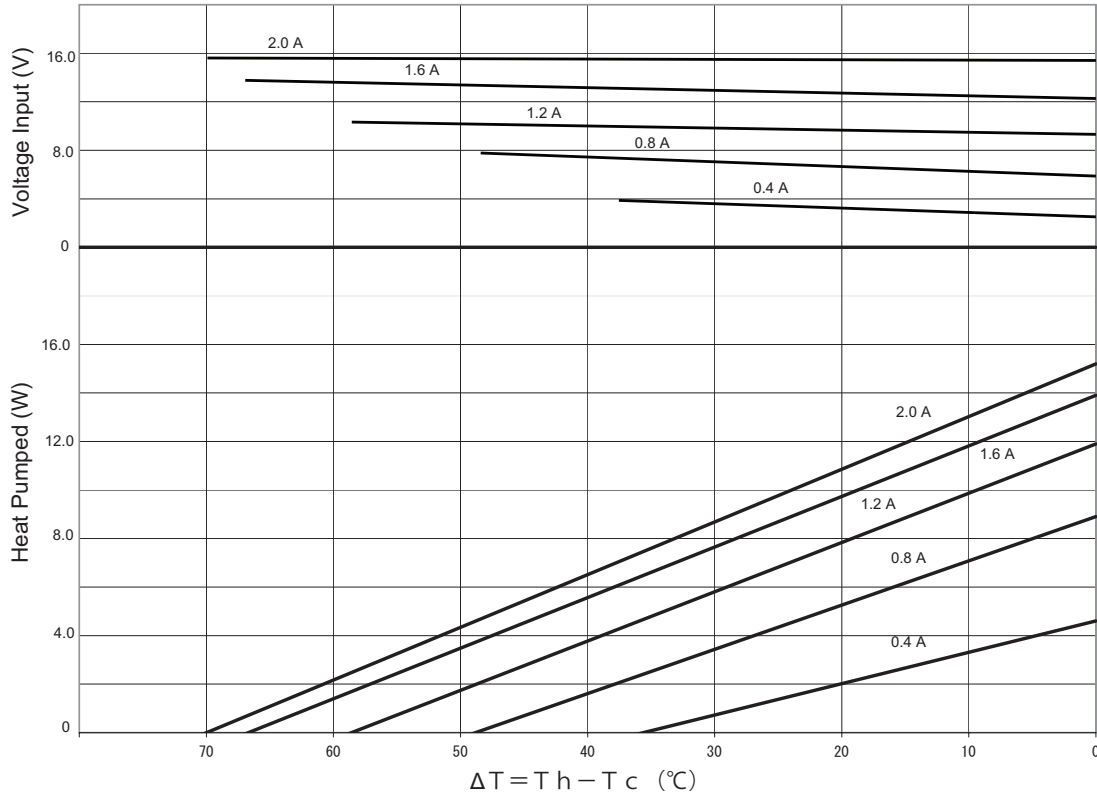
CP20251 PERFORMANCE (Th=27°C)



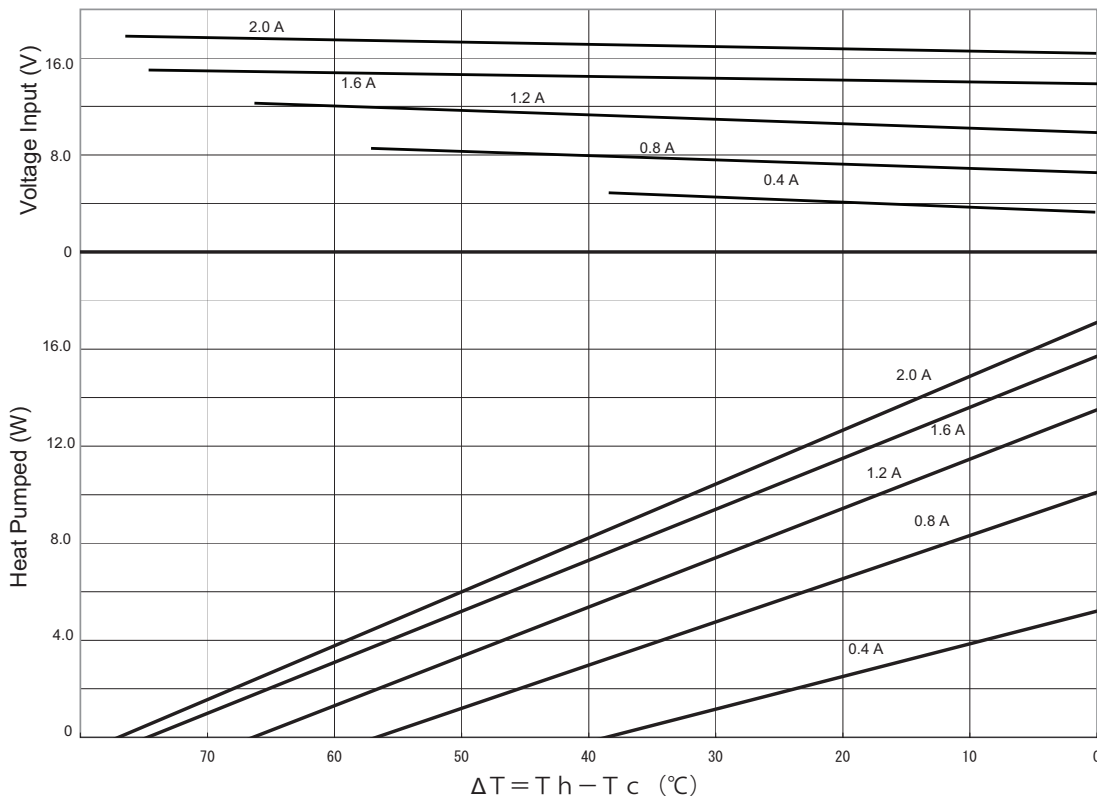
CP20251 PERFORMANCE (Th=50°C)



CP20351 PERFORMANCE (Th=27°C)



CP20351 PERFORMANCE (Th=50°C)



REVISION HISTORY

| rev. | description | date |
|------|-----------------------------------|------------|
| 1.0 | initial release | 09/03/2009 |
| 1.01 | applied new template | 05/07/2012 |
| 1.02 | changed thickness of all models | 09/20/2018 |
| 1.03 | brand update | 10/28/2019 |
| 1.04 | logo, datasheet style update | 08/05/2022 |
| 1.05 | CUI Devices rebranded to Same Sky | 09/12/2024 |

The revision history provided is for informational purposes only and is believed to be accurate.



Same Sky offers a one (1) year limited warranty. Complete warranty information is listed on our website.

Same Sky reserves the right to make changes to the product at any time without notice. Information provided by Same Sky is believed to be accurate and reliable. However, no responsibility is assumed by Same Sky for its use, nor for any infringements of patents or other rights of third parties which may result from its use.

Same Sky products are not authorized or warranted for use as critical components in equipment that requires an extremely high level of reliability. A critical component is any component of a life support device or system whose failure to perform can be reasonably expected to cause the failure of the life support device or system, or to affect its safety or effectiveness.

[sameskydevices.com](https://www.sameskydevices.com)