

MODEL: CPE-755P | **DESCRIPTION:** PIEZO BUZZER INDICATOR

FEATURES

- through-hole pins
- threaded body
- 12 Vdc rating
- 3.6 kHz rated frequency
- selectable constant/fast pulse

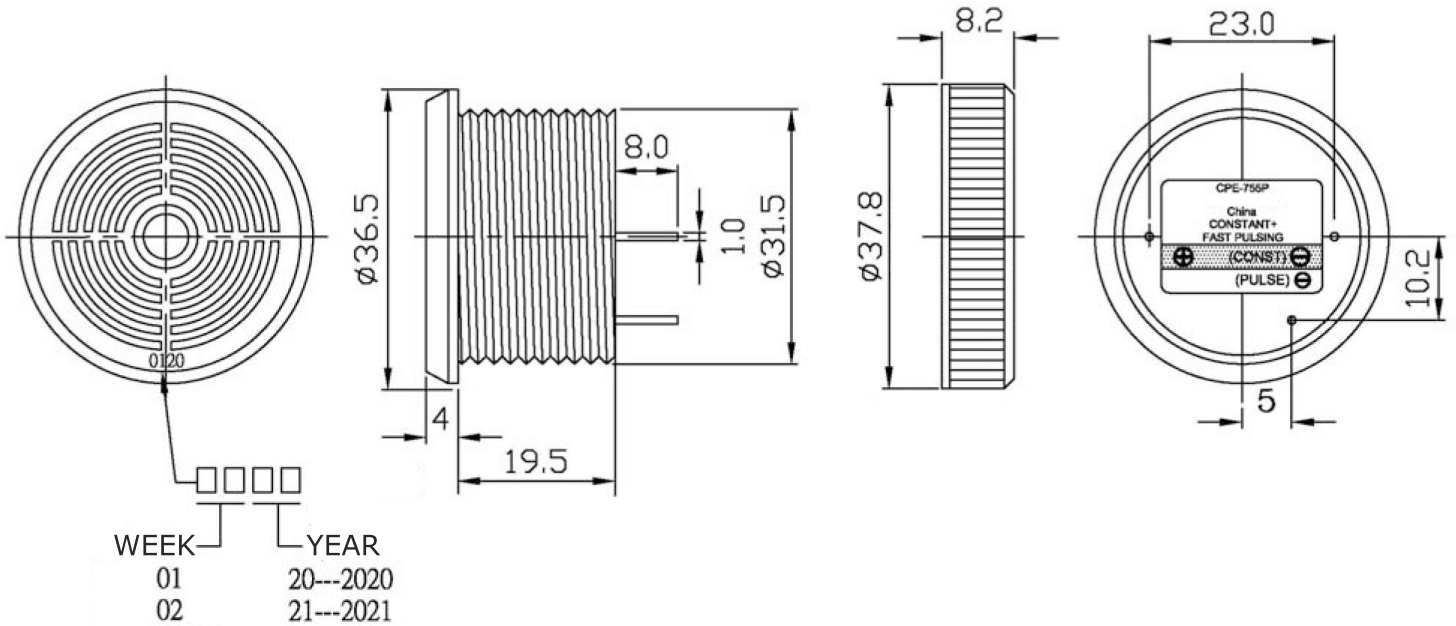

SPECIFICATIONS

parameter	conditions/description	min	typ	max	units
rated voltage			12		Vdc
operating voltage		6		28	Vdc
current consumption	continuous, rated voltage			8	mA
	fast pulse, rated voltage			6	mA
rated frequency		3,100	3,600	4,100	Hz
sound pressure level	at 30 cm, rated voltage continuous tone	85			dB
	fast pulse tone	80			dB
tone	continuous				
	fast pulse at rated voltage (3.0 ±20% Hz)				
dimensions	∅37.8 x 23.5				mm
weight				18.5	g
material	ABS UL94 1/16" HB (grey)				
terminal	solder pins (tin plating)				
operating temperature		-30		80	°C
storage temperature		-40		80	°C
hand soldering	maximum 3 seconds	330	350	370	°C
RoHS	yes				

Notes: 1. All specifications measured at 5-35°C, humidity at 45-85%, under 86-106kPa pressure, unless otherwise noted.

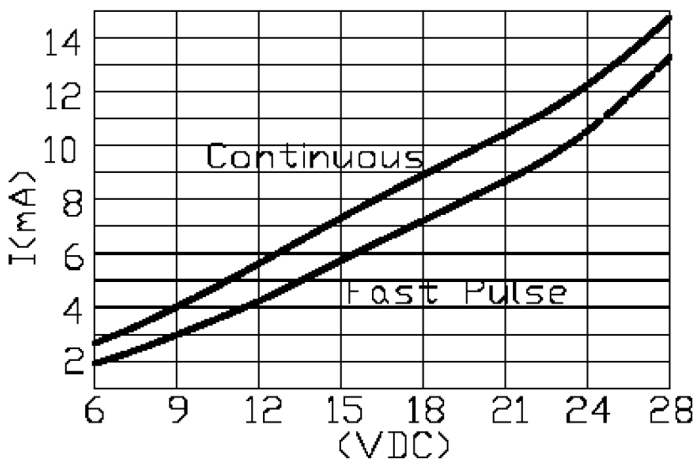
MECHANICAL DRAWING

units: mm
tolerance: ±0.5 mm

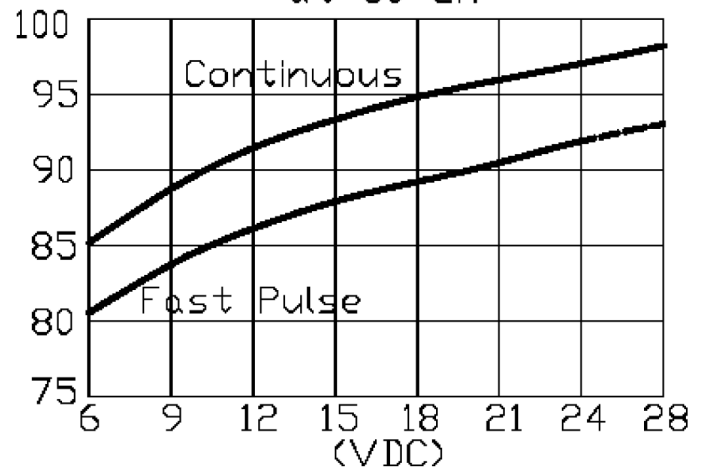


PERFORMANCE CURVES

Voltage vs. Current Consumption



Voltage vs. Sound Pressure Level
at 30 cm



REVISION HISTORY

rev.	description	date
1.0	initial release	11/12/2007
1.01	brand update	05/11/2020
1.02	logo, datasheet style update	08/05/2022
1.03	CUI Devices rebranded to Same Sky	09/11/2024

The revision history provided is for informational purposes only and is believed to be accurate.



Same Sky offers a one (1) year limited warranty. Complete warranty information is listed on our website.

Same Sky reserves the right to make changes to the product at any time without notice. Information provided by Same Sky is believed to be accurate and reliable. However, no responsibility is assumed by Same Sky for its use, nor for any infringements of patents or other rights of third parties which may result from its use.

Same Sky products are not authorized or warranted for use as critical components in equipment that requires an extremely high level of reliability. A critical component is any component of a life support device or system whose failure to perform can be reasonably expected to cause the failure of the life support device or system, or to affect its safety or effectiveness.

[sameskydevices.com](https://www.sameskydevices.com)