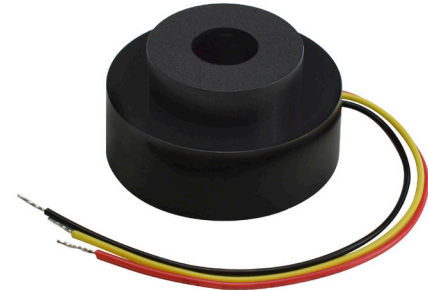



MODEL: CPS-3016-105L085 | **DESCRIPTION:** PIEZO BUZZER TRANSDUCER

FEATURES

- 12 V rated
- externally driven
- wire leads


SPECIFICATIONS

parameter	conditions/description	min	typ	max	units
rated voltage			12		Vdc
operating voltage		6		16	Vdc
current consumption	at rated voltage			30	mA
rated frequency		2,750	3,250	3,750	Hz
sound pressure level	at 10 cm, rated voltage	105			dB
tone	single				
dimensions	Ø30.6 x 16.0				mm
weight			6.0		g
material	ABS777D				
terminal	wire leads				
operating temperature		-40		85	°C
storage temperature		-40		85	°C
washable	no				
RoHS	yes				

Notes: 1. All specifications measured at 5-35°C, humidity at 45-85%, under 86-106 kPa pressure, unless otherwise noted.

SOLDERABILITY

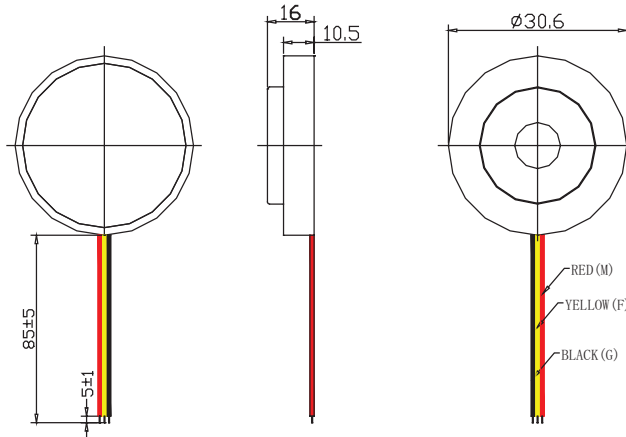
parameter	conditions/description	min	typ	max	units
hand soldering		360	380	400	°C

MECHANICAL DRAWING

units: mm

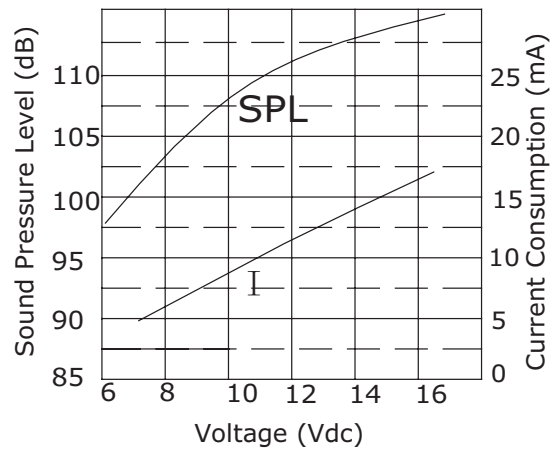
tolerance: ± 0.5 mm

wire: UL1571 AWG 28

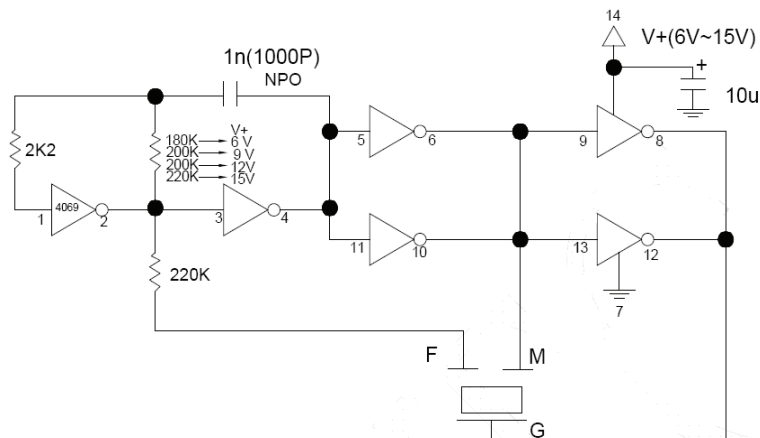


PERFORMANCE CURVES

SPL: Voltage vs. Sound Pressure Level
I: Voltage vs. Current Consumption
at 10 cm



DRIVING CIRCUIT

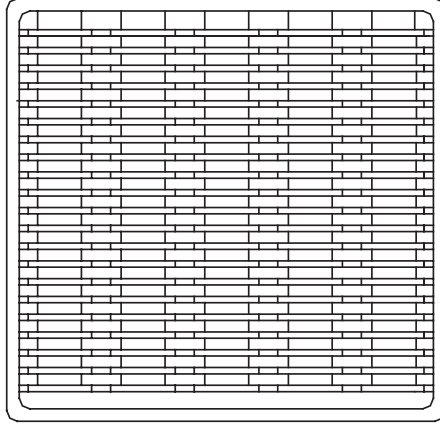


Notes: 1. The current consumption and the sound pressure level are measured by using the recommended driving circuit shown above.

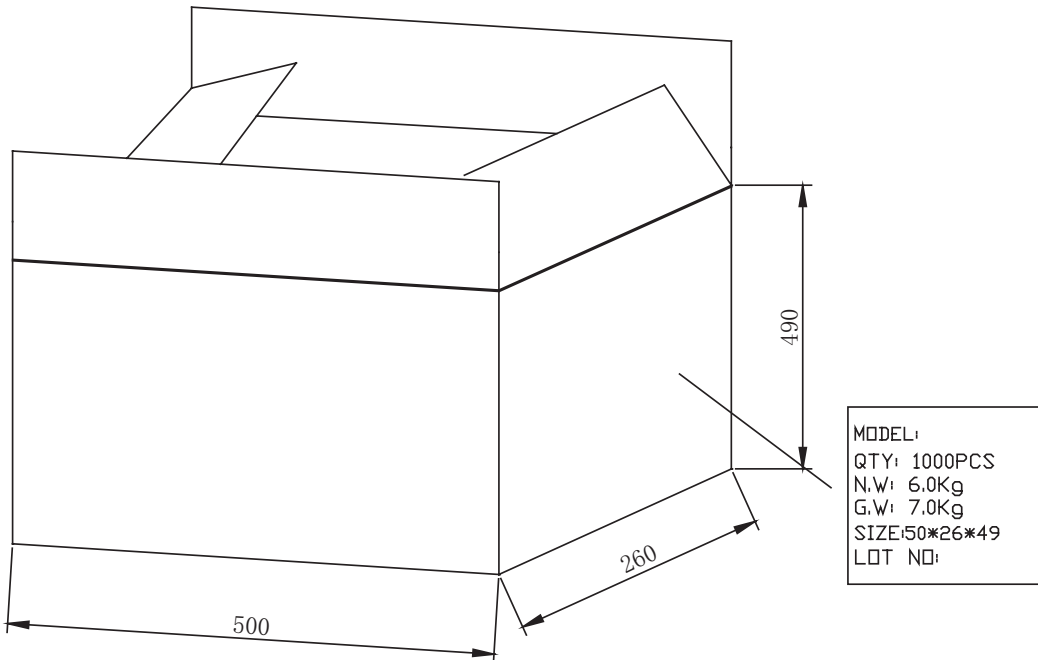
PACKAGING

units: mm

Carton Size: 500 x 260 x 490 mm
Carton QTY: 1,000 pcs per carton



Per Tray 50 pcs.



Per box 1000 pcs.

REVISION HISTORY

rev.	description	date
1.0	initial release	01/08/2020
1.01	logo, datasheet style update	08/05/2022
1.02	CUI Devices rebranded to Same Sky	09/11/2024

The revision history provided is for informational purposes only and is believed to be accurate.



Same Sky offers a one (1) year limited warranty. Complete warranty information is listed on our website.

Same Sky reserves the right to make changes to the product at any time without notice. Information provided by Same Sky is believed to be accurate and reliable. However, no responsibility is assumed by Same Sky for its use, nor for any infringements of patents or other rights of third parties which may result from its use.

Same Sky products are not authorized or warranted for use as critical components in equipment that requires an extremely high level of reliability. A critical component is any component of a life support device or system whose failure to perform can be reasonably expected to cause the failure of the life support device or system, or to affect its safety or effectiveness.

[sameskydevices.com](https://www.sameskydevices.com)