

**MODEL:** CPT-2272C-200 | **DESCRIPTION:** PIEZO BUZZER TRANSDUCER

**FEATURES**

- externally driven
- through hole
- 90 dB SPL


**SPECIFICATIONS**

| parameter              | conditions/description                  | min    | typ    | max    | units |
|------------------------|---|--------|--------|--------|-------|
| operating voltage      |   | 3      |        | 30     | Vp-p  |
| current consumption    | at 12 Vp-p, 4,000 Hz square wave        |        |        | 12     | mA    |
| rated frequency        |   |        | 4,000  |        | Hz    |
| sound pressure level   | at 10 cm, 12 Vp-p, 4,000 Hz square wave | 90     |        |        | dB    |
| electrostatic capacity | at 120 Hz/1 V                           | 16,900 | 26,000 | 35,100 | pF    |
| dimensions             | Ø22.0 x 6.8                             |        |        |        | mm    |
| weight                 |   |        |        | 2.25   | g     |
| material               | PBT                                     |        |        |        |       |
| terminal               | pin type (Sn plating)                   |        |        |        |       |
| operating temperature  |   | -35    |        | 80     | °C    |
| storage temperature    |   | -40    |        | 80     | °C    |
| RoHS                   | yes                                     |        |        |        |       |

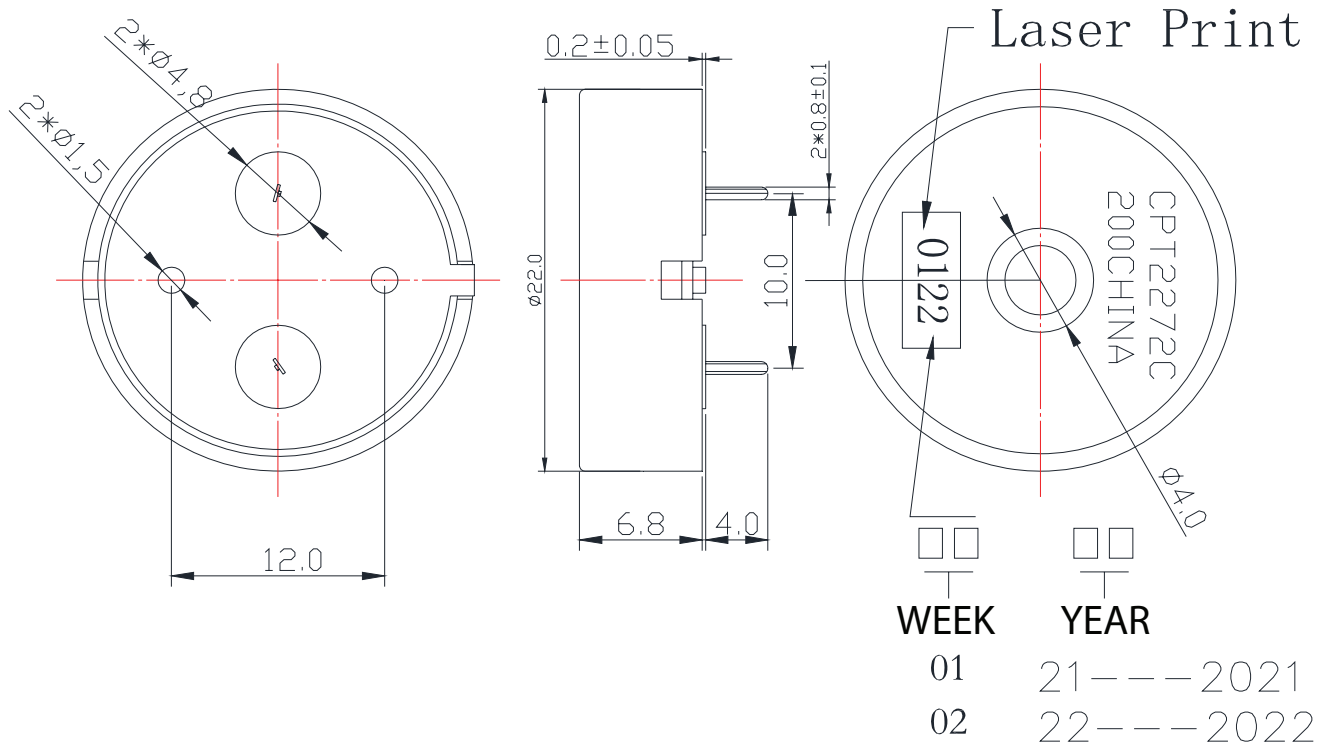
Notes: 1. All specifications measured at 5-35°C, humidity at 45-85%, under 86-106 kPa pressure, unless otherwise noted.

**SOLDERABILITY**

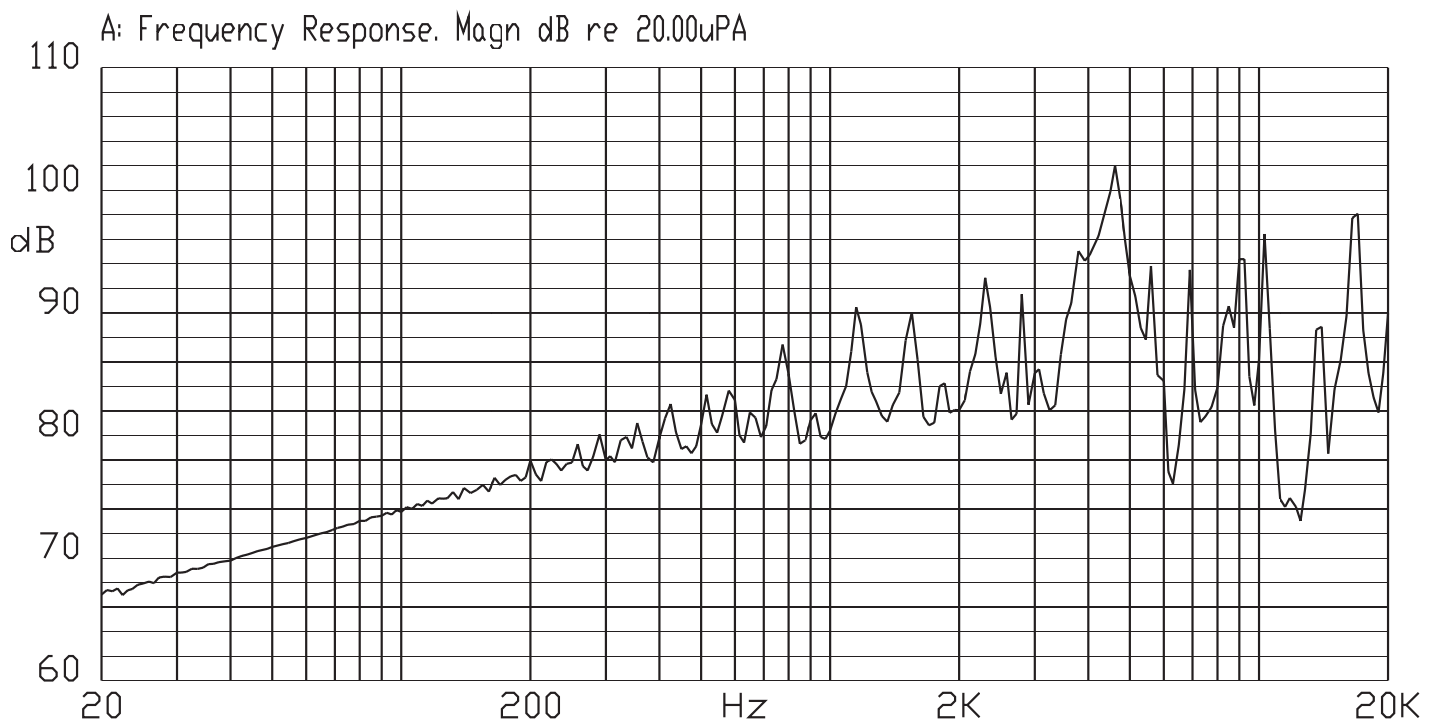
| parameter      | conditions/description | min | typ | max | units |
|----------------|------------------------|-----|-----|-----|-------|
| hand soldering | for maximum 2 seconds  | 330 |     | 380 | °C    |

## MECHANICAL DRAWING

units: mm  
tolerance: ±0.5 mm



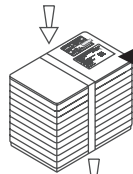
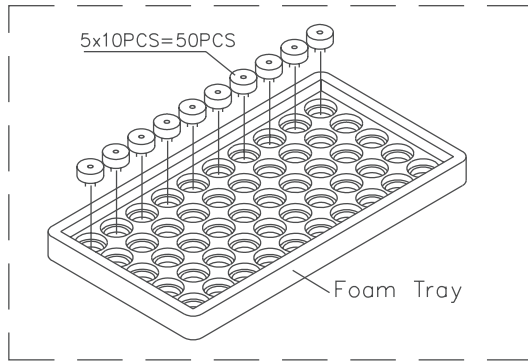
## FREQUENCY RESPONSE CURVE



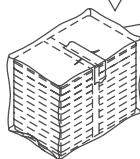
## PACKAGING

units: mm

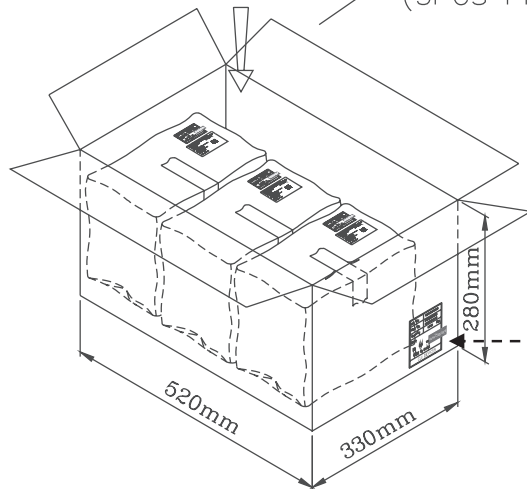
Outer Box Size: 315 x 170 x 28 mm  
 Carton Size: 520 x 330 x 280 mm  
 Outer Box QTY: 50 pcs per outer box  
 Carton QTY: 1,500 pcs per carton



(10PCS Foam Tray)



Carton Box  
(5PCS Plastic Bag)



|               |                          |
|---------------|--------------------------|
| Lot No.       | XXXXXXXXXX               |
| Part No.      | XXXXXXXXXX<br>XXXXXXXXXX |
| Quantity      | XXXX Pcs                 |
| Date:         | DD MM YY                 |
| MADE IN CHINA |                          |



|               |                          |
|---------------|--------------------------|
| Lot No.       | XXXXXXXXXX               |
| Part No.      | XXXXXXXXXX<br>XXXXXXXXXX |
| Quantity      | XXXX Pcs                 |
| Date:         | DD MM YY                 |
| MADE IN CHINA |                          |

## REVISION HISTORY

| rev. | description                       | date       |
|------|-----------------------------------|------------|
| 1.0  | initial release                   | 03/31/2016 |
| 1.01 | brand update                      | 11/22/2019 |
| 1.02 | logo, datasheet style update      | 08/05/2022 |
| 1.03 | modified design                   | 06/02/2023 |
| 1.04 | CUI Devices rebranded to Same Sky | 09/11/2024 |

The revision history provided is for informational purposes only and is believed to be accurate.



Same Sky offers a one (1) year limited warranty. Complete warranty information is listed on our website.

Same Sky reserves the right to make changes to the product at any time without notice. Information provided by Same Sky is believed to be accurate and reliable. However, no responsibility is assumed by Same Sky for its use, nor for any infringements of patents or other rights of third parties which may result from its use.

Same Sky products are not authorized or warranted for use as critical components in equipment that requires an extremely high level of reliability. A critical component is any component of a life support device or system whose failure to perform can be reasonably expected to cause the failure of the life support device or system, or to affect its safety or effectiveness.

[sameskydevices.com](https://www.sameskydevices.com)