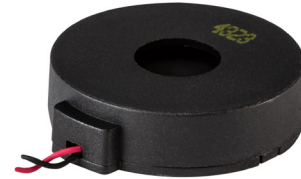



**MODEL:** CPT-3084-85L100 | **DESCRIPTION:** PIEZO BUZZER TRANSDUCER

**FEATURES**

- piezo
- 85 dB @ 3 m
- adhesive ring for mounting


**SPECIFICATIONS**

parameter	conditions/description	min	typ	max	units
operating voltage	continuous	sine wave	85		Vp-p
		square wave	50		Vp-p
	intermittent	sine wave	100		Vp-p
			60		Vp-p
current consumption	at 3 m, 18 Vp-p, 5,500 Hz, square wave			70	mA
	at 1 m, 2.832 Vrms, 5,500 Hz, sine wave			20	mA
rated frequency		2,000		6,000	Hz
sound pressure level	at 3 m, 18 Vp-p, 5,500 Hz, square wave	85			dB
	at 1 m, 2.832 Vrms, 5,500 Hz, sine wave	82			dB
electrostatic capacitance	at 120 Hz, 1 V	112,000	160,000	208,000	pF
dimensions	∅30.0 x 8.1				mm
weight				4.68	g
material	PBT + 15% GF (UL94V-0)				
terminal	wire leads				
operating temperature		-40		105	°C
storage temperature		-40		105	°C
washable	no				
RoHS	yes				

Notes: 1. All specifications measured at 5-35 °C, humidity at 45-85%, under 86-106 kPa pressure, unless otherwise noted.

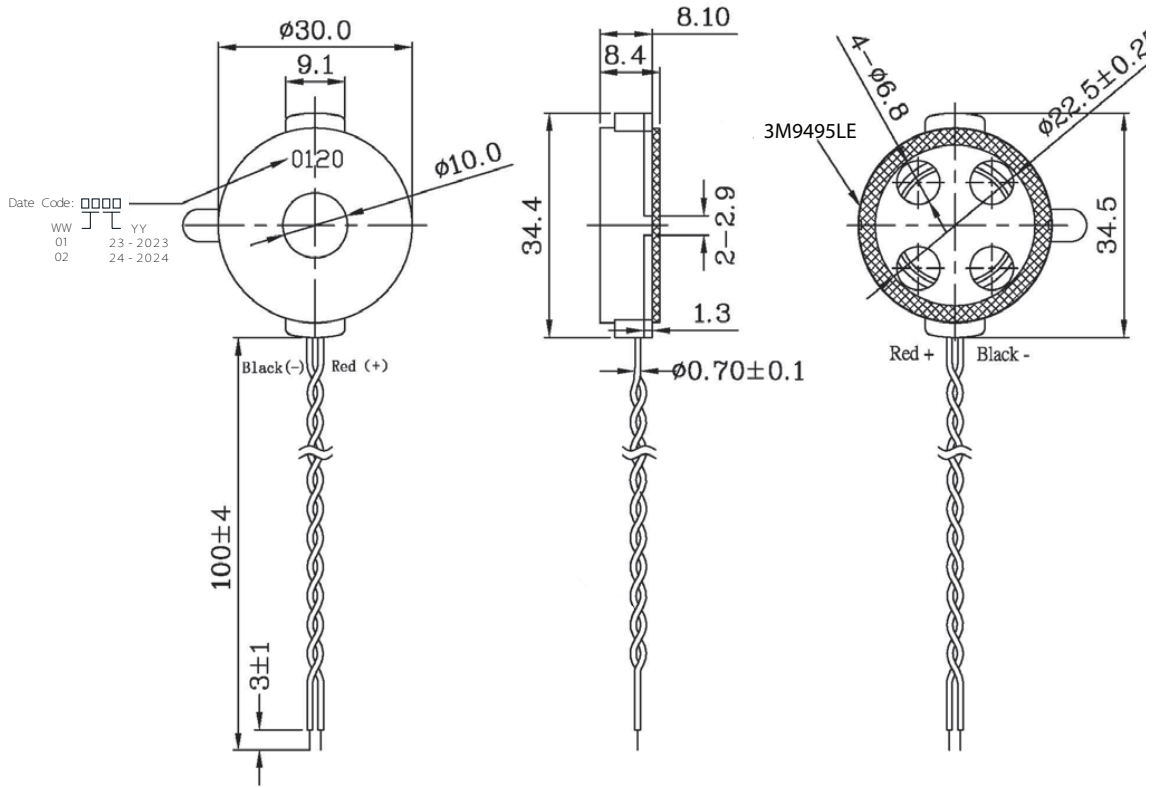
**SOLDERABILITY**

parameter	conditions/description	min	typ	max	units
hand soldering	for maximum 2 seconds	330		380	°C

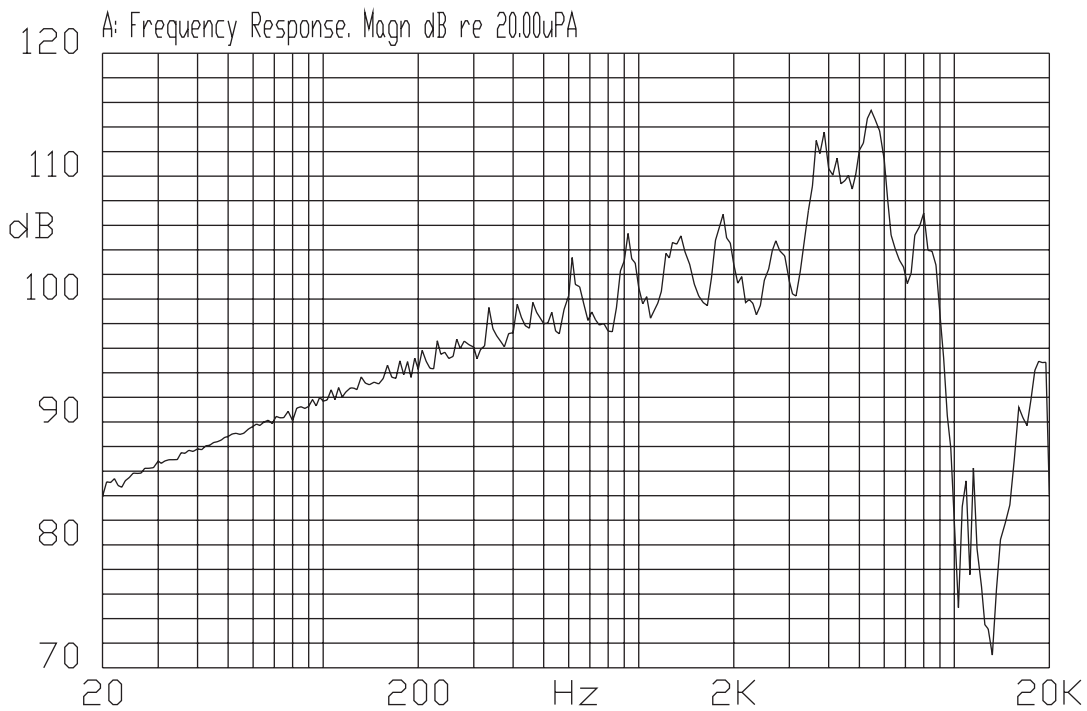
## MECHANICAL DRAWING

units: mm  
tolerance: ±0.5 mm

wire: UL 3302 HF, 30 AWG



## FREQUENCY RESPONSE CURVE



## REVISION HISTORY

rev.	description	date
1.0	initial release	12/19/2023
1.01	CUI Devices rebranded to Same Sky	09/11/2024

The revision history provided is for informational purposes only and is believed to be accurate.



Same Sky offers a one (1) year limited warranty. Complete warranty information is listed on our website.

Same Sky reserves the right to make changes to the product at any time without notice. Information provided by Same Sky is believed to be accurate and reliable. However, no responsibility is assumed by Same Sky for its use, nor for any infringements of patents or other rights of third parties which may result from its use.

Same Sky products are not authorized or warranted for use as critical components in equipment that requires an extremely high level of reliability. A critical component is any component of a life support device or system whose failure to perform can be reasonably expected to cause the failure of the life support device or system, or to affect its safety or effectiveness.

[sameskydevices.com](https://www.sameskydevices.com)