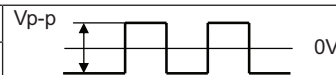


**MODEL:** CPT-4011-85PM | **DESCRIPTION:** PIEZO BUZZER TRANSDUCER

**FEATURES**

- 12 V rated
- externally driven
- panel mount


**SPECIFICATIONS**

parameter	conditions/description	min	typ	max	units
rated voltage	V <sub>p-p</sub> 		12		V <sub>p-p</sub>
operating voltage				60	V <sub>p-p</sub>
current consumption	at rated voltage, 3,260 Hz, ½ duty square wave			30	mA
rated frequency			3,260		Hz
sound pressure level	at 10 cm, 12 V <sub>p-p</sub> , 3,260 Hz, square wave	98			dB
	at 300 cm, 50 V <sub>p-p</sub> , 3,260 Hz, square wave	85			dB
electrostatic capacitance	at 1000 Hz/1 V	21,000	30,000	39,000	pF
dimensions	40.0 x 46.5 x 11.5				mm
weight				14.3	g
material	PBT				
terminal	wire leads				
operating temperature		-30		80	°C
storage temperature		-40		85	°C
washable	no				
RoHS	yes				

Notes: 1. All specifications measured at 5-35°C, humidity at 45-85%, under 86-106 kPa pressure, unless otherwise noted.

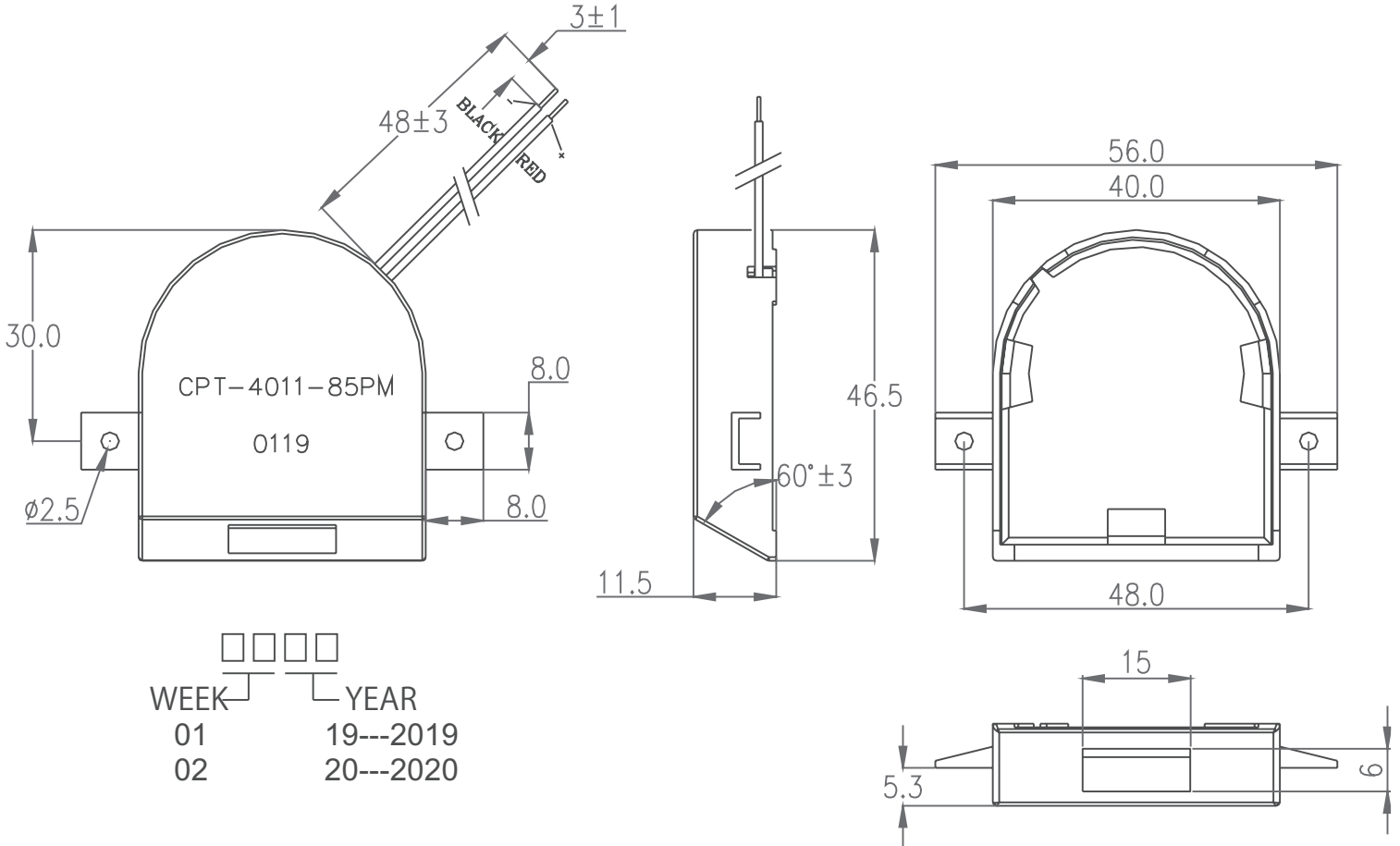
**SOLDERABILITY**

parameter	conditions/description	min	typ	max	units
hand soldering	for maximum 3 seconds			380	°C

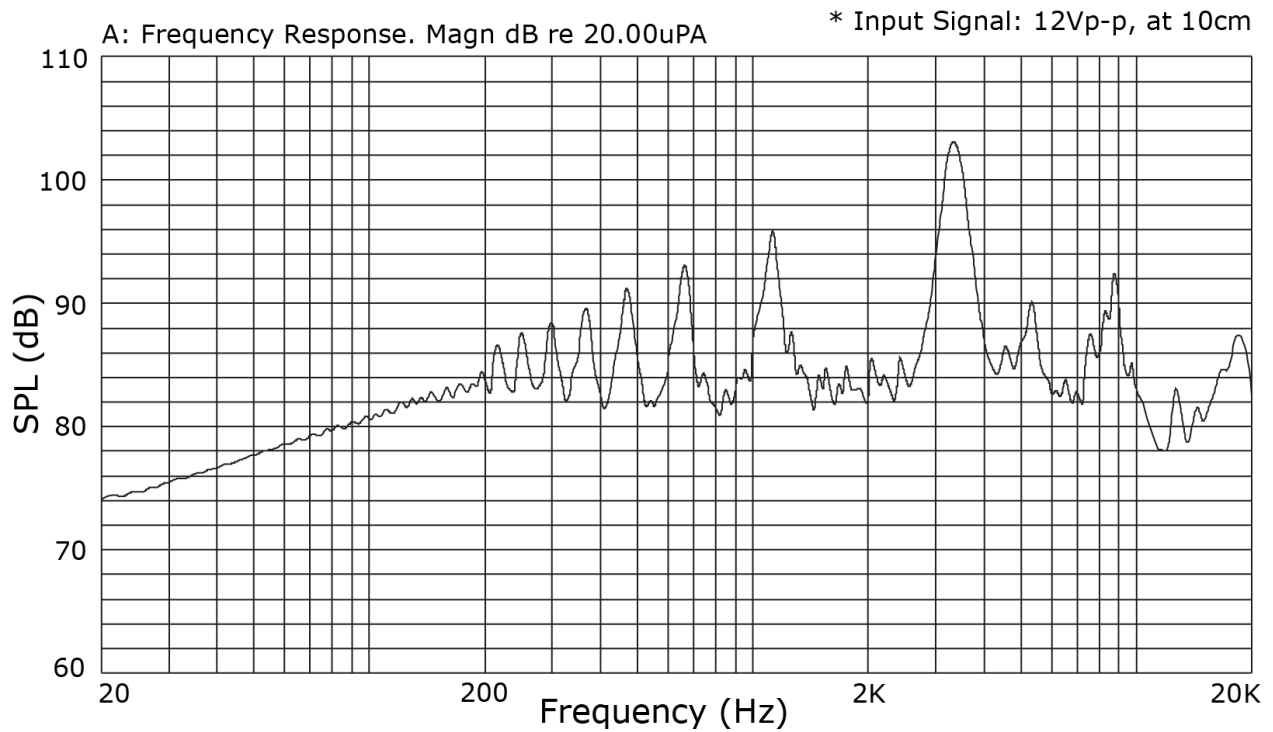
## MECHANICAL DRAWING

units: mm  
tolerance:  $\pm 0.5$  mm

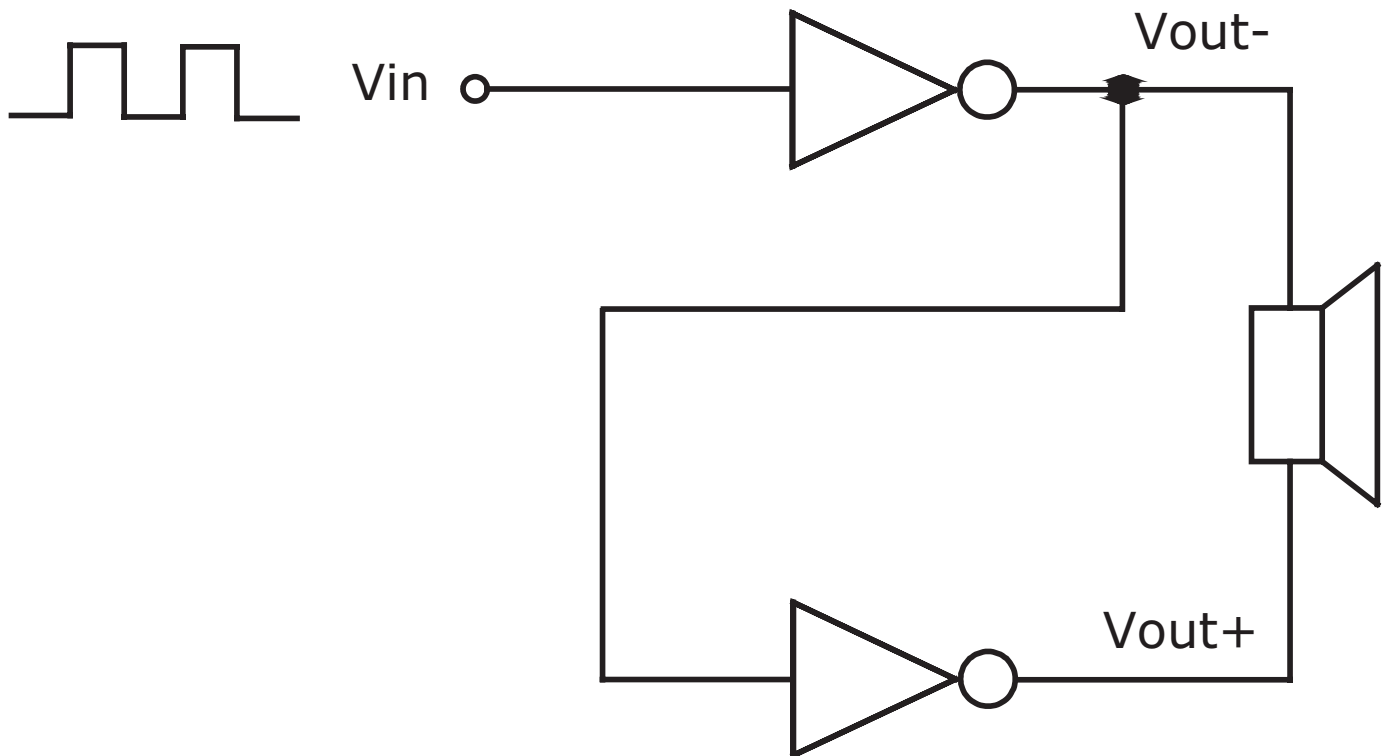
wire: UL1571 30 AWG



## FREQUENCY RESPONSE CURVE



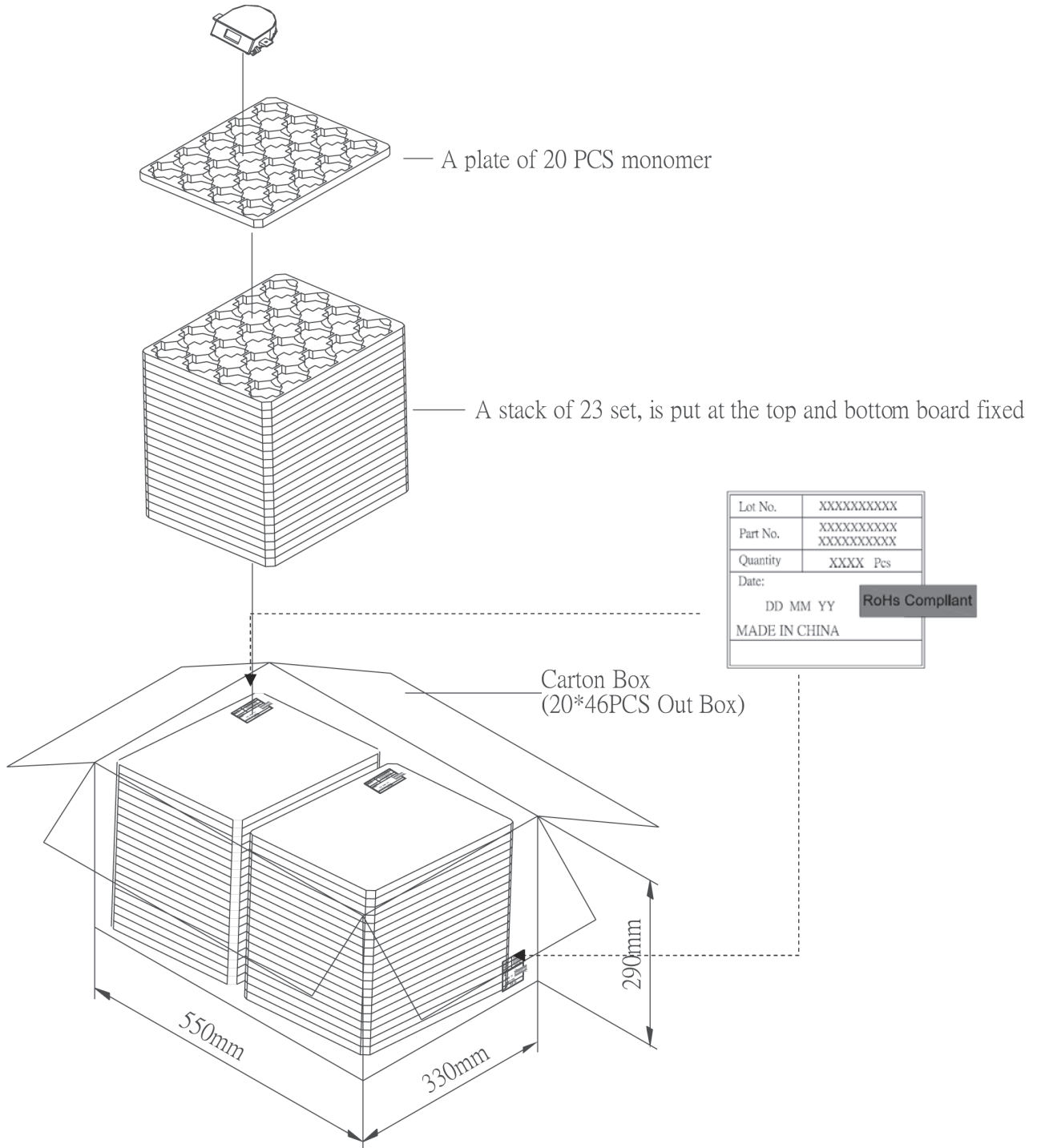
## APPLICATION CIRCUIT



## PACKAGING

units: mm

Carton Size: 550 x 330 x 290 mm  
 Carton QTY: 920 pcs per carton



## REVISION HISTORY

rev.	description	date
1.0	initial release	12/11/2019
1.01	logo, datasheet style update	08/05/2022
1.02	CUI Devices rebranded to Same Sky	09/11/2024

The revision history provided is for informational purposes only and is believed to be accurate.



Same Sky offers a one (1) year limited warranty. Complete warranty information is listed on our website.

Same Sky reserves the right to make changes to the product at any time without notice. Information provided by Same Sky is believed to be accurate and reliable. However, no responsibility is assumed by Same Sky for its use, nor for any infringements of patents or other rights of third parties which may result from its use.

Same Sky products are not authorized or warranted for use as critical components in equipment that requires an extremely high level of reliability. A critical component is any component of a life support device or system whose failure to perform can be reasonably expected to cause the failure of the life support device or system, or to affect its safety or effectiveness.

[sameskydevices.com](https://www.sameskydevices.com)