



**MODEL:** CSQ-RP-E | **DESCRIPTION:** MAGNETIC BUZZER TRANSDUCER

**FEATURES**

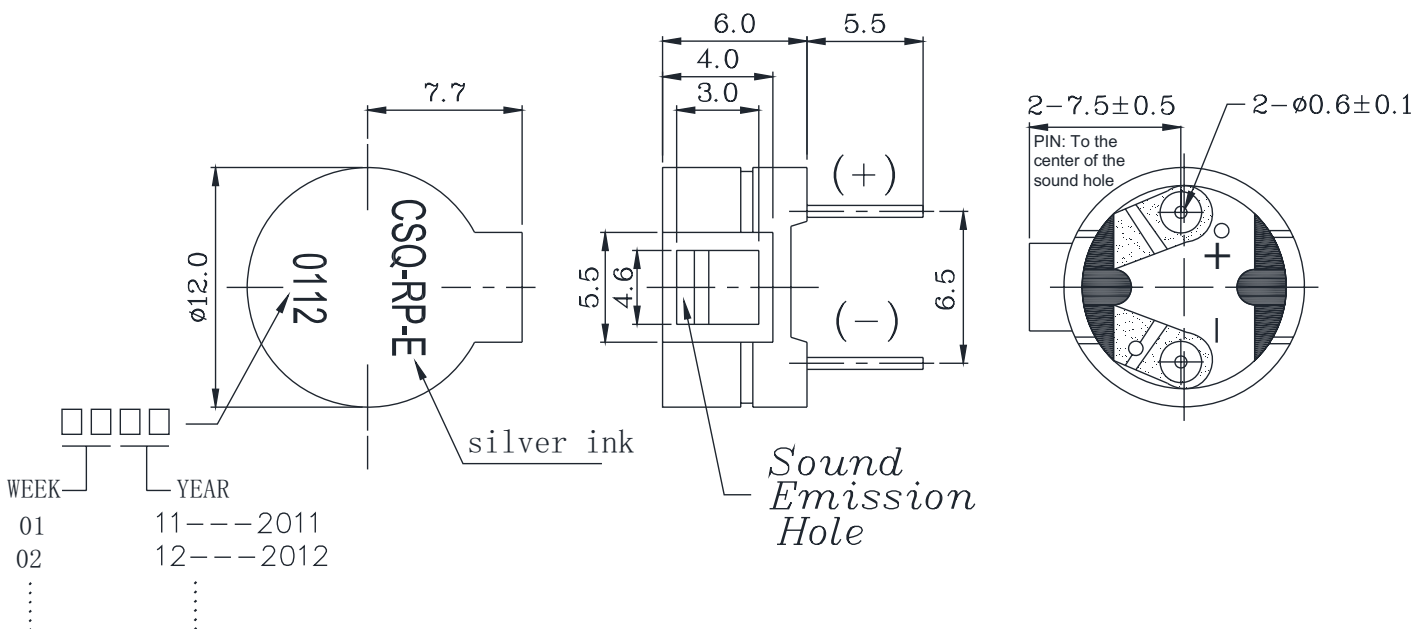
- side port
- SPL 85 dB
- low profile



**SPECIFICATIONS**

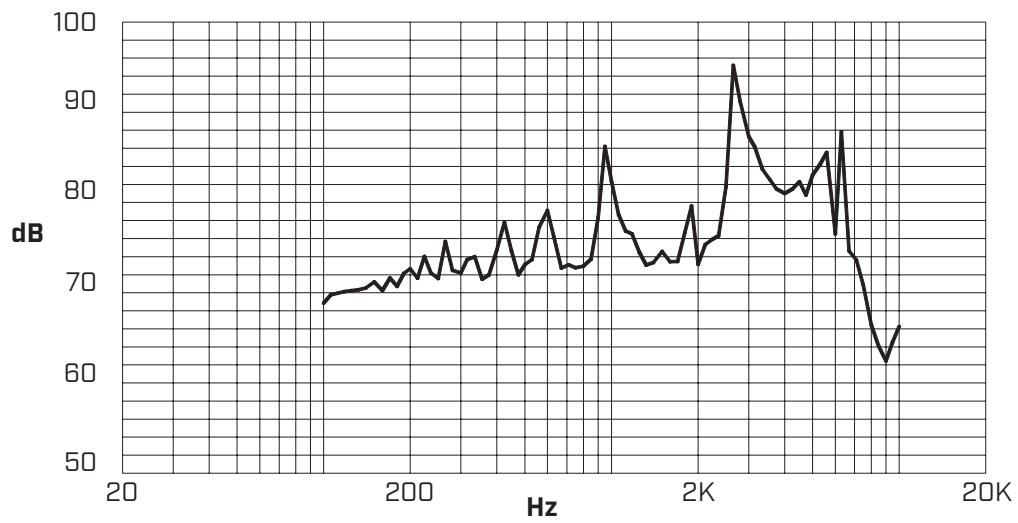
parameter	conditions/description	min	typ	max	units
rated voltage			1.5		Vo-p
operating voltage		1.0		2.0	Vo-p
current consumption	at rated voltage, 2,730 Hz square wave, ½ duty			80	mA
coil resistance		4.0	5.0	6.0	Ω
sound pressure level	at 10 cm	85	91		dB
rated frequency			2,730		Hz
dimensions	ø12.0 x H6.0				mm
weight			1.40		g
material	PPD				
terminal	pin type (Au plating)				
operating temperature		-20		60	°C
storage temperature		-30		70	°C
RoHS	yes				

**MECHANICAL DRAWING**

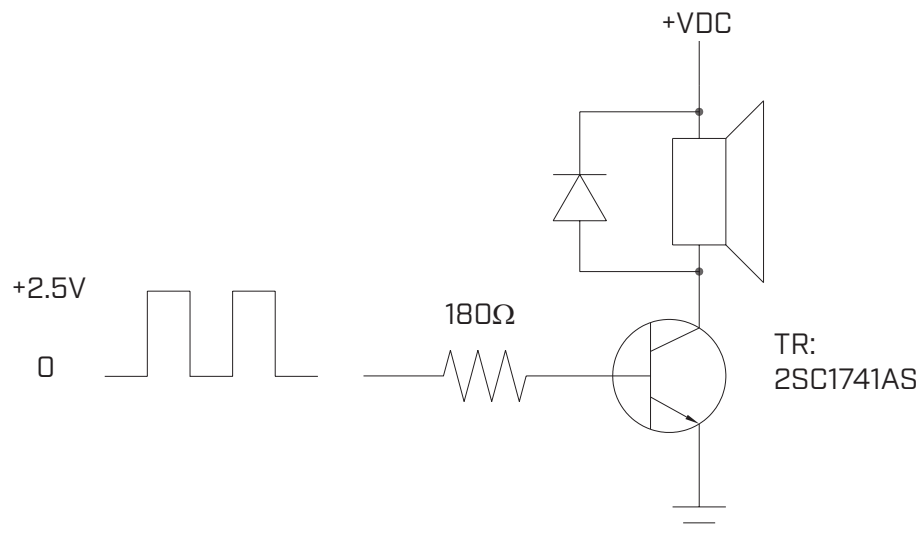


## FREQUENCY RESPONSE CURVE

A: frequency response. Magn dB re 20.00 $\mu$ PA



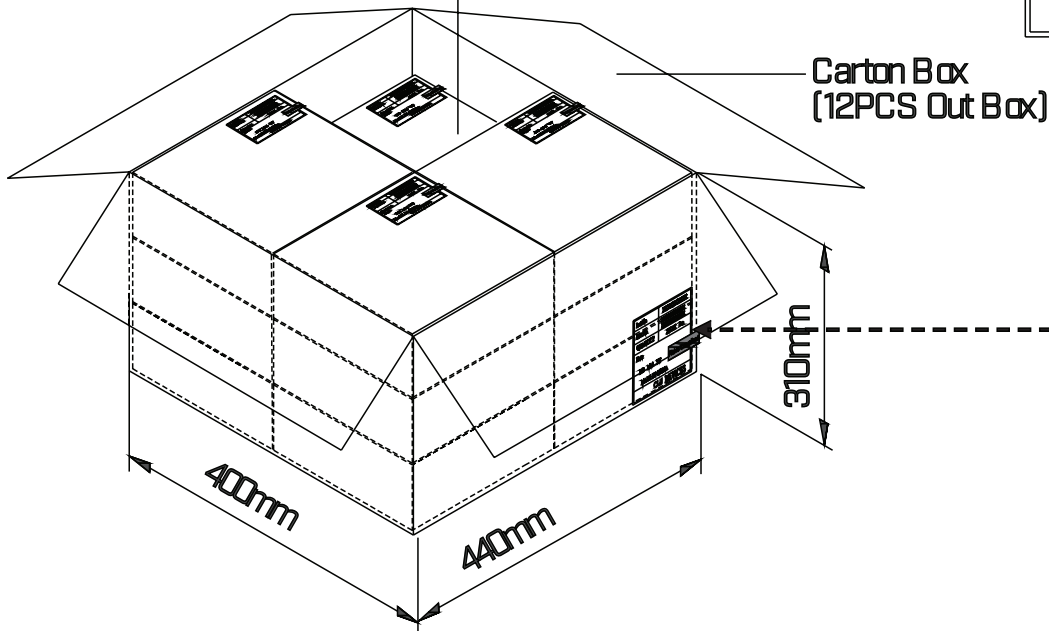
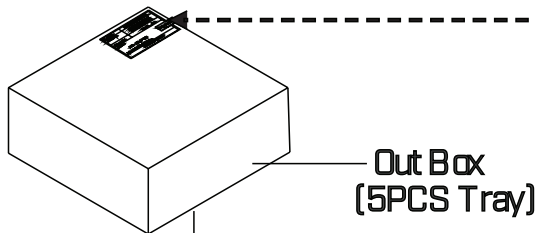
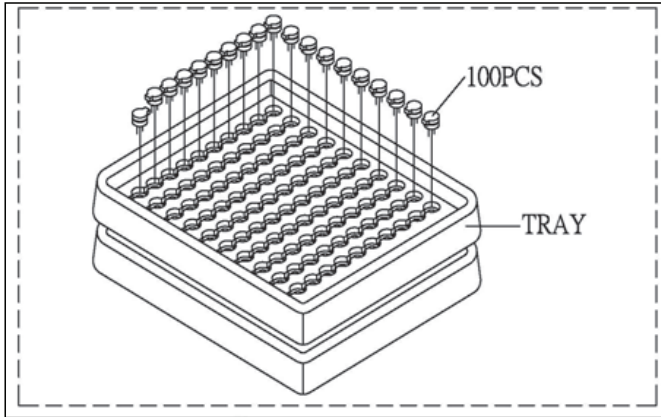
## MEASUREMENT METHOD



## PACKAGING

units: mm

Tray Size: 184 x 180 x 23 mm  
 Tray QTY: 100 pcs  
 Carton Size: 440 x 400 x 310 mm  
 Carton QTY: 6,000 pcs



Lot No.	XXXXXXXXXX
Part No.	XXXXXXXXXX XXXXXXXXXX
Quantity.	XXXX Pcs
Date:	DD MM YY
MADE IN CHINA	

**RoHS Compliant**

## REVISION HISTORY

rev.	description	date
1.0	initial release	01/26/2006
1.01	updated template and model number	04/24/2012
1.02	updated drawing	06/02/2022
1.03	logo, datasheet style update	08/05/2022
1.04	CUI Devices rebranded to Same Sky	09/11/2024

The revision history provided is for informational purposes only and is believed to be accurate.



Same Sky offers a one (1) year limited warranty. Complete warranty information is listed on our website.

Same Sky reserves the right to make changes to the product at any time without notice. Information provided by Same Sky is believed to be accurate and reliable. However, no responsibility is assumed by Same Sky for its use, nor for any infringements of patents or other rights of third parties which may result from its use.

Same Sky products are not authorized or warranted for use as critical components in equipment that requires an extremely high level of reliability. A critical component is any component of a life support device or system whose failure to perform can be reasonably expected to cause the failure of the life support device or system, or to affect its safety or effectiveness.

[sameskydevices.com](https://www.sameskydevices.com)