


MODEL: CUSA-TR11-010-1150-TH67 | **DESCRIPTION:** ULTRASONIC SENSOR

FEATURES

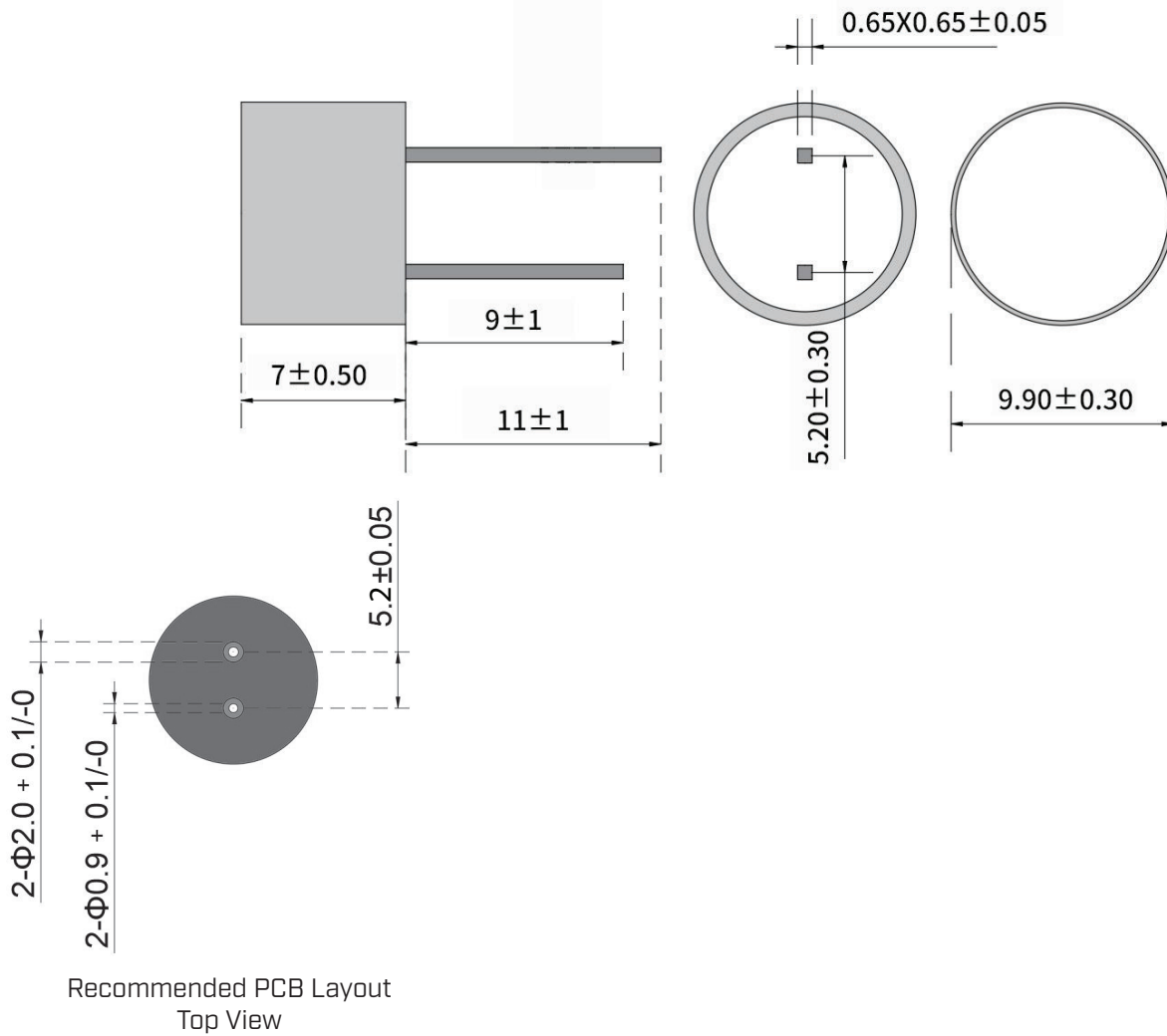
- aluminum housing
- combination unit receiver & transmitter
- IP67
- through hole


SPECIFICATIONS

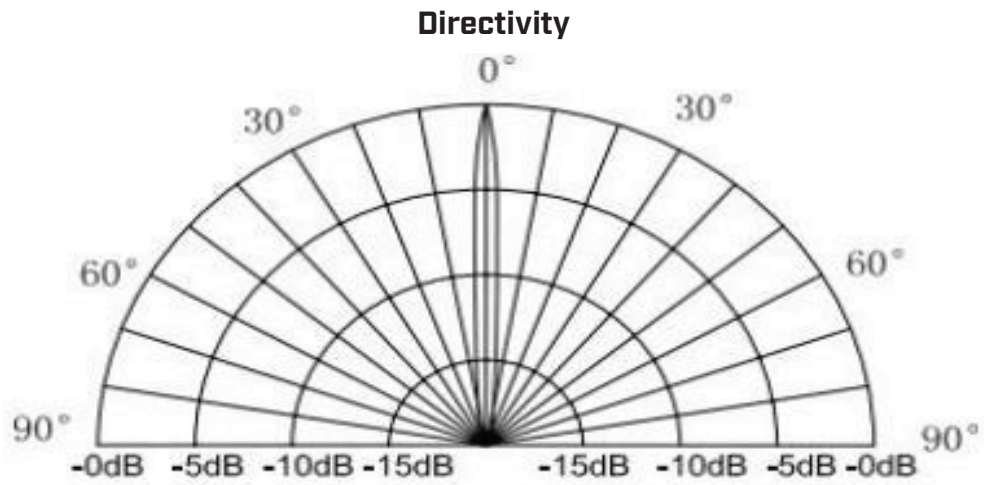
parameter	conditions/description	min	typ	max	units
type	receiver/transmitter				
operating voltage				100	Vp-p
frequency		270	300	330	kHz
echo sensitivity	at 10 cm	1.5			V
directivity	at -6 dB	9	11	13	degree
capacitance	at 1 kHz	920	1,150	1,380	pF
detectable range		0.05		1	m
response time	at 10 Vp-p, 5 pulses, 300 kHz			0.35	ms
impedance	at internal resistance 100 Ω , 1 kHz, 1 V	1,120	1,400	1,680	Ω
dimensions	$\varnothing 9.9 \times 7.0$				mm
material	aluminum				
terminal	pins				
weight			1.3		g
operating temperature		-20		60	$^{\circ}\text{C}$
storage temperature		-20		70	$^{\circ}\text{C}$
RoHS	yes				
IP level	IP67				

MECHANICAL DRAWING

units: mm



BEAM PATTERNS



PACKAGING

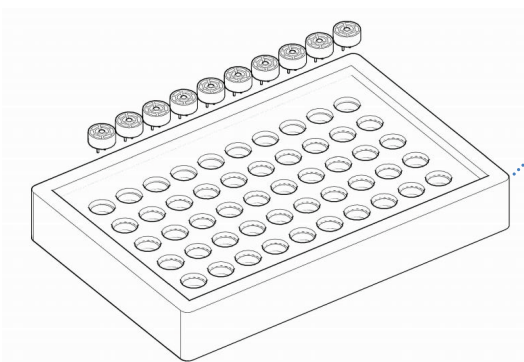
units: cm

Tray Size: 23.5 x 13.5 x 3 cm

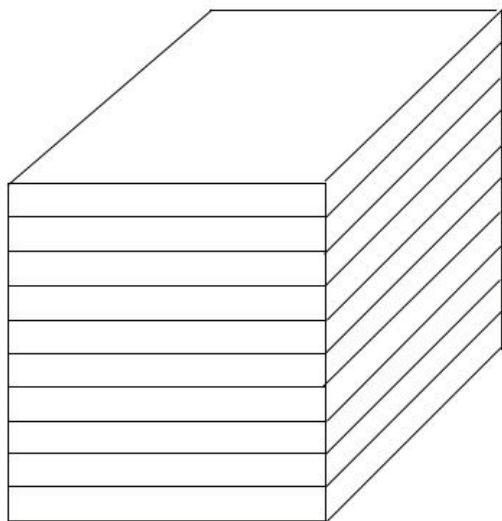
Tray QTY: 50 pcs per tray

Carton Size: 47.5 x 28.5 x 32 cm

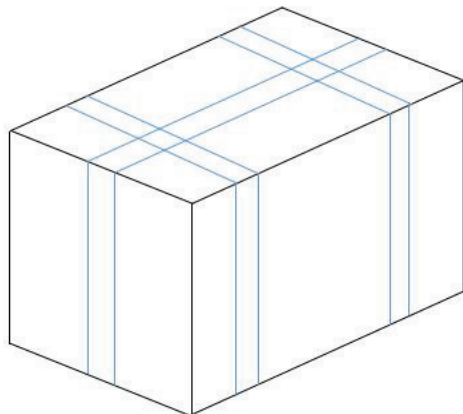
Carton QTY: 2,000 pcs per carton



50PCS/BOX
BOX SIZE:23.5*13.5*3CM



10BOXES/STACK, TOTAL 500PCS
STACK SIZE:23.5*13.5*27.5CM



2000PCS/CARTON
CARTON SIZE:47.5*28.5*32CM

REVISION HISTORY

rev.	description	date
1.0	initial release	08/09/2024
1.01	CUI Devices rebranded to Same Sky	09/12/2024

The revision history provided is for informational purposes only and is believed to be accurate.



Same Sky offers a one (1) year limited warranty. Complete warranty information is listed on our website.

Same Sky reserves the right to make changes to the product at any time without notice. Information provided by Same Sky is believed to be accurate and reliable. However, no responsibility is assumed by Same Sky for its use, nor for any infringements of patents or other rights of third parties which may result from its use.

Same Sky products are not authorized or warranted for use as critical components in equipment that requires an extremely high level of reliability. A critical component is any component of a life support device or system whose failure to perform can be reasonably expected to cause the failure of the life support device or system, or to affect its safety or effectiveness.

[sameskydevices.com](https://www.sameskydevices.com)