

**MODEL:** CUSA-TR60-02-2000-TH67 | **DESCRIPTION:** ULTRASONIC SENSOR**FEATURES**

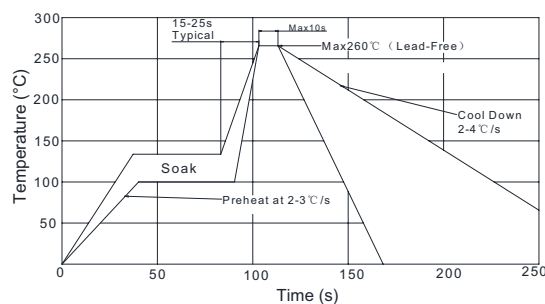
- aluminum can
- IP67 rated
- combination unit: receiver & transmitter
- through hole

**SPECIFICATIONS**

| parameter             | conditions/description        | min   | typ   | max   | units              |
|-----------------------|-------------------------------|-------|-------|-------|--------------------|
| type                  | transmitter/receiver          |       |       |       |                    |
| operating voltage     | at 40 kHz                     |       |       | 150   | Vp-p               |
| frequency             |                               | 38.5  | 40    | 41.5  | kHz                |
| echo sensitivity      | at 1 m                        | 120   |       |       | mV                 |
| sound pressure level  | at 10 V, 30 cm, sine wave     | 90    |       |       | dB                 |
| directivity           | at -6 dB                      | 45    | 60    | 75    | degree             |
| capacitance           | at 1 kHz                      | 1,600 | 2,000 | 2,400 | pF                 |
| detectable range      |                               | 0.5   |       | 2     | m                  |
| response time         |                               |       |       | 1.8   | ms                 |
| impedance             |                               |       |       | 3,000 | $\Omega$           |
| dimensions            | $\varnothing 10 \times 7.0$   |       |       |       | mm                 |
| material              | aluminum                      |       |       |       |                    |
| terminal              | pins (brass with tin plating) |       |       |       |                    |
| weight                |                               |       | 0.76  |       | g                  |
| operating temperature |                               | -40   |       | 80    | $^{\circ}\text{C}$ |
| storage temperature   |                               | -40   |       | 85    | $^{\circ}\text{C}$ |
| RoHS                  | yes                           |       |       |       |                    |
| IP level              | IP67                          |       |       |       |                    |

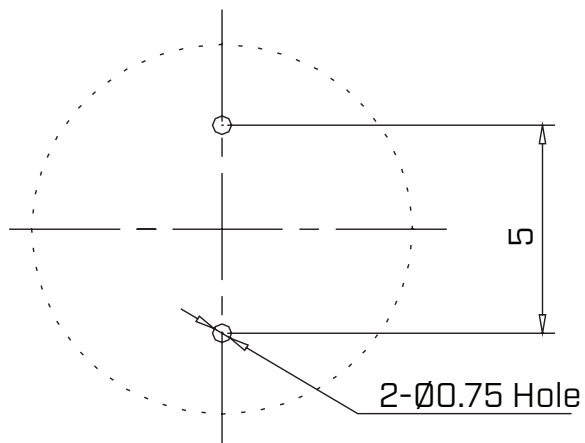
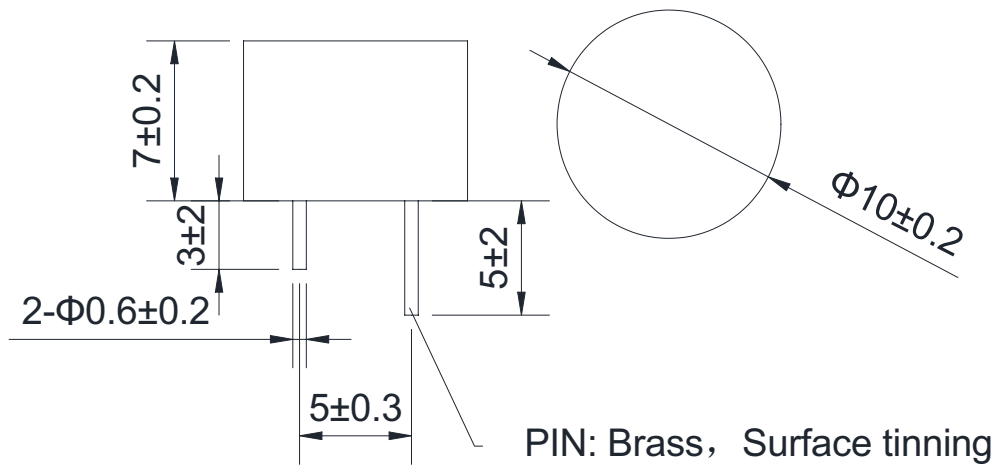
**SOLDERABILITY**

| parameter      | conditions/description | min | typ | max | units              |
|----------------|------------------------|-----|-----|-----|--------------------|
| wave soldering |                        |     |     | 260 | $^{\circ}\text{C}$ |



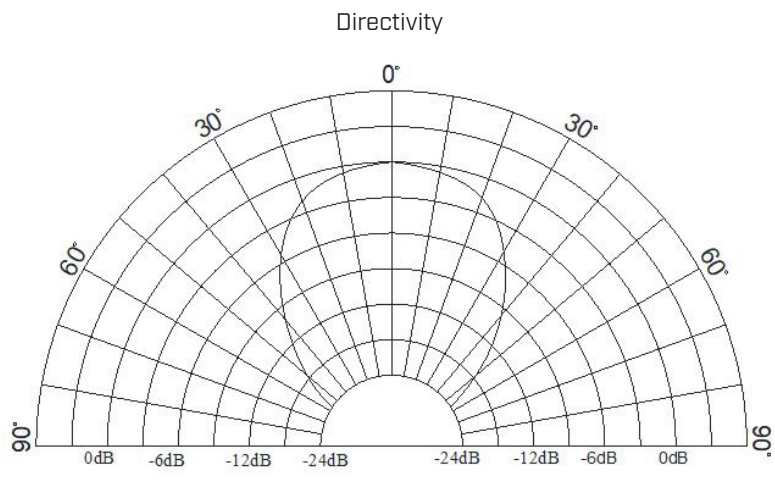
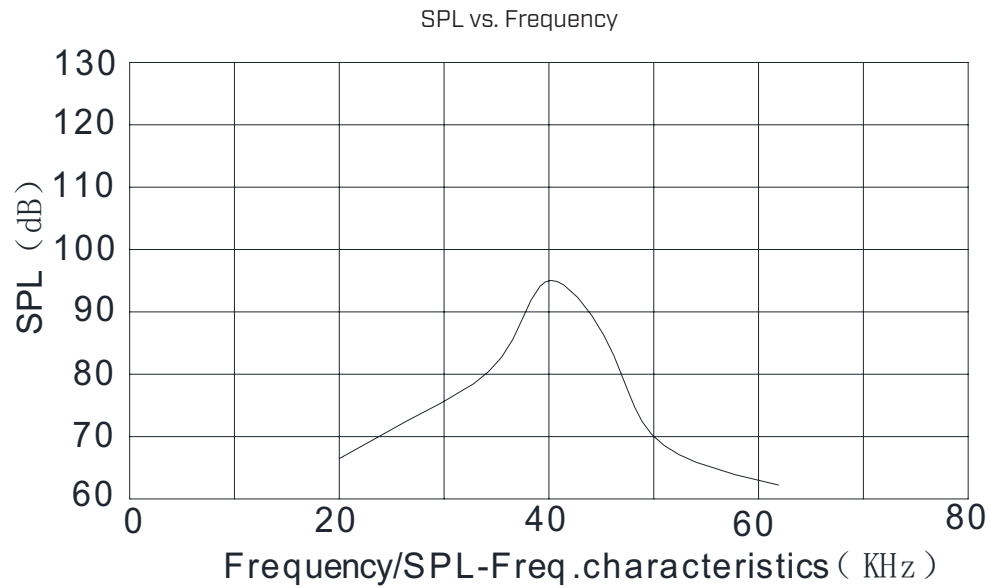
## MECHANICAL DRAWING

units: mm



Recommended PCB Layout  
Top View

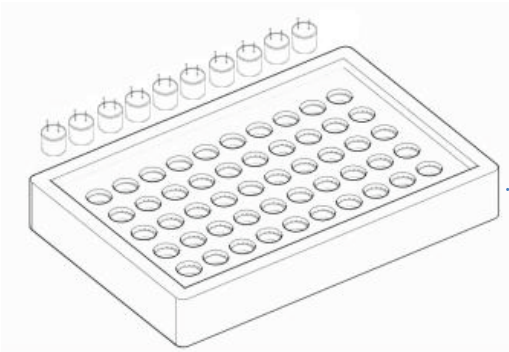
## BEAM PATTERNS



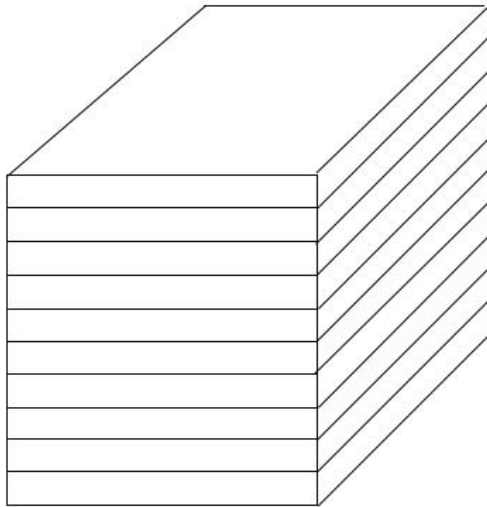
## PACKAGING

units: mm

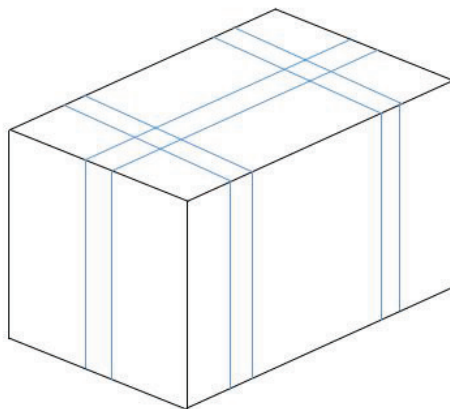
Tray Size: 235 x 135 x 30 mm  
Tray QTY: 50 pcs per tray  
Carton Size: 280 x 285 x 240 mm  
Carton QTY: 1,000 pcs per carton



50PCS/BOX  
BOX SIZE:23.5\*13.5\*3CM



10BOXES/STACK, TOTAL 500PCS  
STACK SIZE:23.5\*13.5\*31CM



1000PCS/CARTON  
CARTON SIZE:28\*28.5\*24CM

## REVISION HISTORY

| rev. | description                       | date       |
|------|-----------------------------------|------------|
| 1.0  | initial release                   | 05/18/2022 |
| 1.01 | logo, datasheet style update      | 08/05/2022 |
| 1.02 | CUI Devices rebranded to Same Sky | 09/12/2024 |

The revision history provided is for informational purposes only and is believed to be accurate.



Same Sky offers a one (1) year limited warranty. Complete warranty information is listed on our website.

Same Sky reserves the right to make changes to the product at any time without notice. Information provided by Same Sky is believed to be accurate and reliable. However, no responsibility is assumed by Same Sky for its use, nor for any infringements of patents or other rights of third parties which may result from its use.

Same Sky products are not authorized or warranted for use as critical components in equipment that requires an extremely high level of reliability. A critical component is any component of a life support device or system whose failure to perform can be reasonably expected to cause the failure of the life support device or system, or to affect its safety or effectiveness.

[sameskydevices.com](https://www.sameskydevices.com)