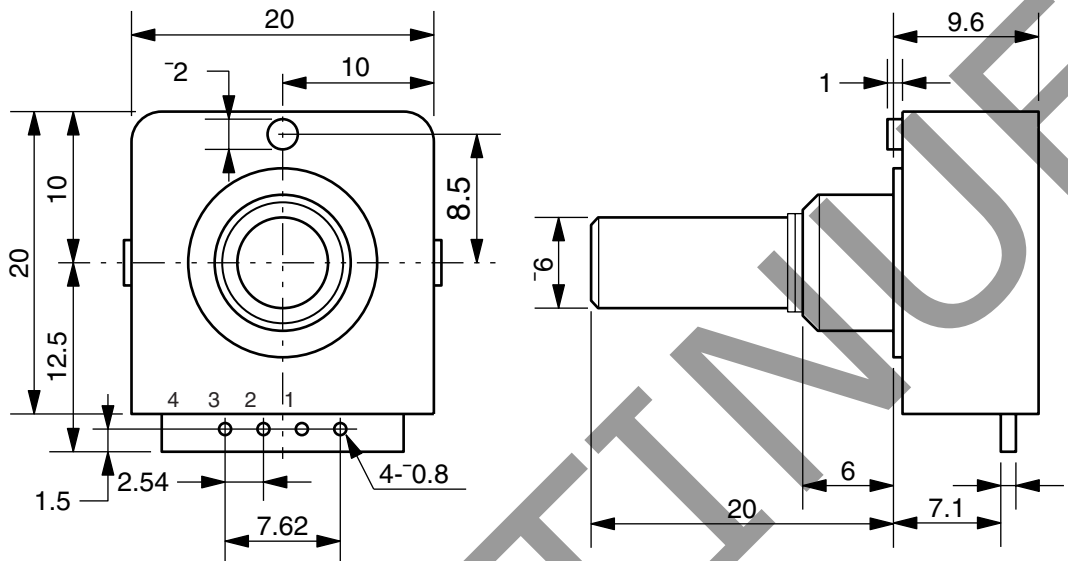


EC204A020A



**SPECIFICATIONS**

**ELECTRICAL**

1. Input Voltage: 5.0 VDC  $\pm 5\%$
2. Current Consumption: 50 mA max.
3. Resolution: 20 PPR, incremental
4. Phase Difference, chA/chB:  $90^\circ \pm 45^\circ$
5. Output: TTL, CMOS compatible
6. Max. Freq. Response: 100 Hz

**MECHANICAL**

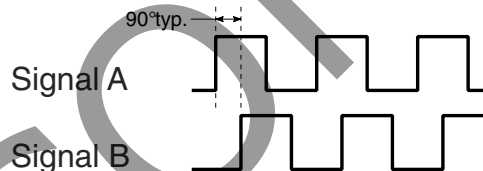
1. Max Shaft Load, radial: 1.0 kgf  
axial: 1.0 kgf
2. Rotational Angle:  $360^\circ$  continuous
3. Rotational Torque: 51 gf•cm max.
4. Rotational Life:  $1.0 \times 10^6$  cycles

**ENVIRONMENTAL**

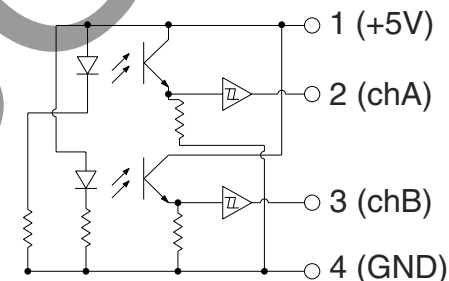
1. Operating Temp:  $0^\circ$  to  $+60^\circ$  C
2. Storage Temp:  $-20^\circ$  to  $+80^\circ$  C
3. Humidity: 85% RH, no condensation
4. Vibration: 10 - 55 Hz, 1.5 mm, 2 hrs
5. Shock: 50G, 6ms, 3 axes, 3 reps

**OUTPUT WAVEFORM**

Clockwise rotation viewed from front

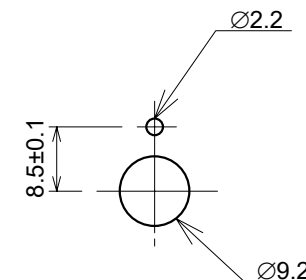


**OUTPUT CIRCUIT**



**CUT-OUT DIMENSIONS**

Mounting Panel Thickness:  
1.6~2.0mm



CUI Devices 6405 SW Rosewood St, Suite C Lake Oswego, OR 97035 www.cuidevices.com			
DRAWN BY JAS	UPDATED 09/03/20	CHECKED 09/03/20	UNIT
PART NO. <b>EC204A020A</b>			REV <b>B</b>