



SERIES: HSE-BX-01 | **DESCRIPTION:** HEAT SINK

FEATURES

- TO-220 package
- round or slot hole option
- low profile



MODEL

	mounting hole		thermal resistance ¹				power dissipation ¹
	type	size (mm)	@ 75°C ΔT, nat conv (°C/W)	@ 1 W, nat conv (°C/W)	@ 1 W, 200 LFM (°C/W)	@ 1 W, 400 LFM (°C/W)	@ 75°C ΔT, nat conv (W)
HSE-B2111-038	round	Ø3.8	19.74	20.99	6.12	5.18	3.80
HSE-B1711-032	round	Ø3.2	20.27	22.39	6.84	5.05	3.70
HSE-B1711-057	slot	3.2 x 5.7	24.19	24.30	7.07	5.79	3.10

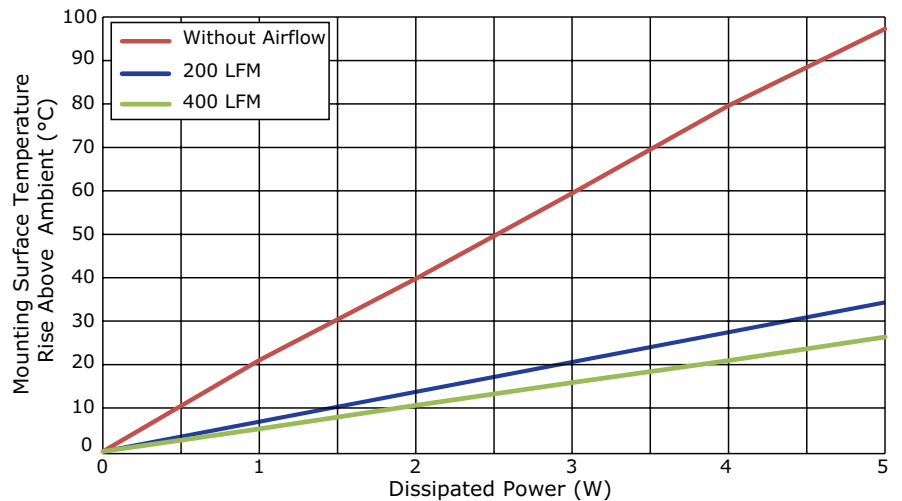
Note: 1. See performance curves for full thermal resistance details.

PERFORMANCE CURVES

HSE-B2111-038

Power [W]	Heatsink Temperature Rise Above Ambient (ΔT = T _{hs} - T _a) [°C]		
	Natural Conv.	200 LFM	400 LFM
0	0	0	0
1	20.99	6.12	5.18
2	39.76	13.23	10.62
3	59.46	19.90	15.87
4	79.61	26.92	20.94
5	97.29	34.35	26.37

T_{hs}: "hot spot" temperature measured on the heatsink
T_a: ambient temperature

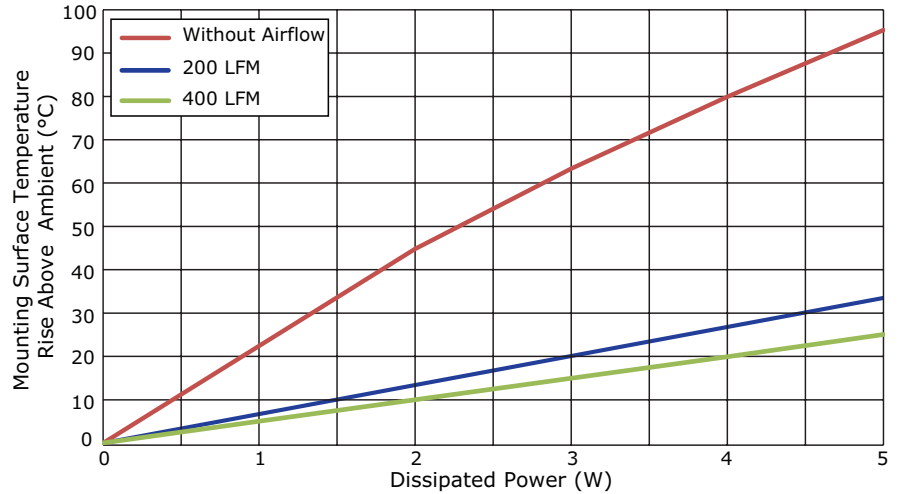


PERFORMANCE CURVES (CONTINUED)

HSE-B1711-032

Power [W]	Heatsink Temperature Rise Above Ambient ($\Delta T = T_{hs} - T_a$) [°C]		
	Natural Conv.	200 LFM	400 LFM
0	0	0	0
1	22.39	6.84	5.05
2	44.78	13.44	9.99
3	63.30	20.16	14.97
4	79.94	26.86	19.95
5	95.30	33.50	25.04

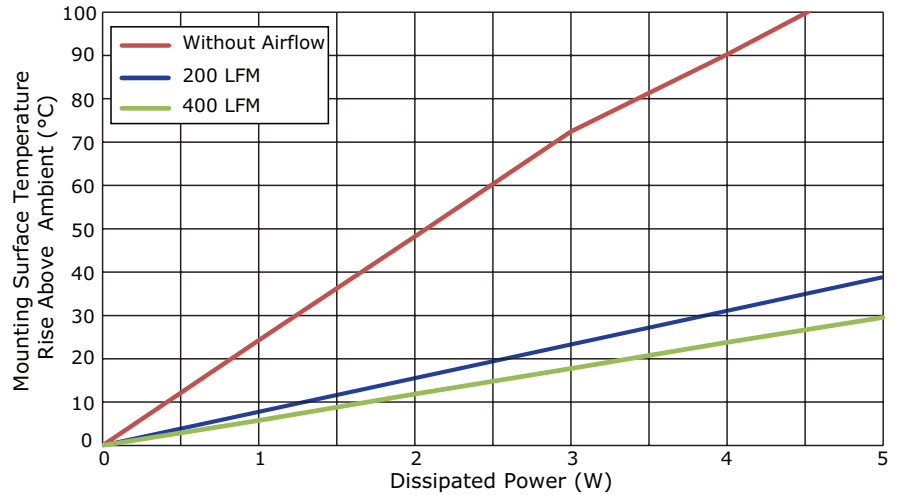
T_{hs}: "hot spot" temperature measured on the heatsink
 T_a: ambient temperature



HSE-B1711-057

Power [W]	Heatsink Temperature Rise Above Ambient ($\Delta T = T_{hs} - T_a$) [°C]		
	Natural Conv.	200 LFM	400 LFM
0	0	0	0
1	24.30	7.07	5.79
2	48.19	15.28	11.89
3	72.44	22.86	17.72
4	90.24	30.47	23.81
5	109.19	38.84	29.57

T_{hs}: "hot spot" temperature measured on the heatsink
 T_a: ambient temperature

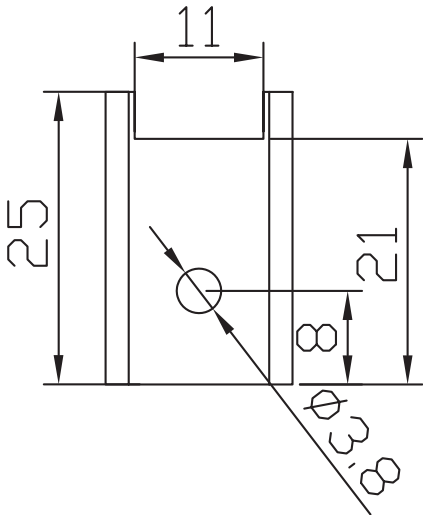


MECHANICAL DRAWING

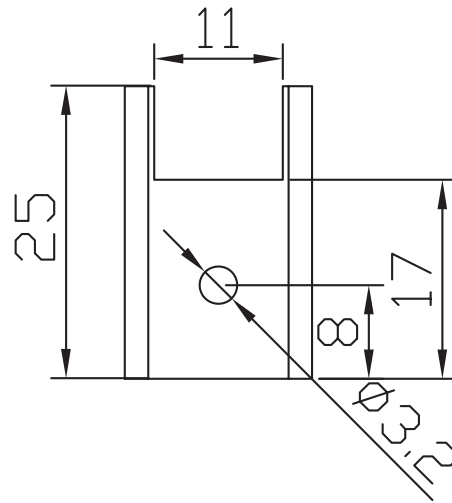
units: mm
tolerance: ±0.5 mm

MATERIAL	AL 6063-T5
FINISH	black anodized
WEIGHT	4.4 g

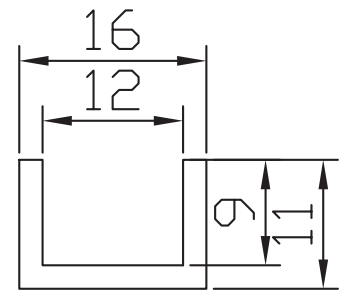
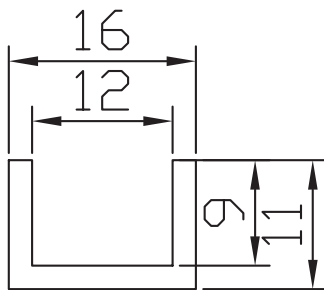
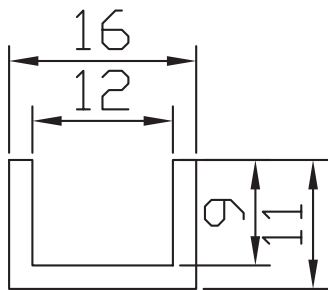
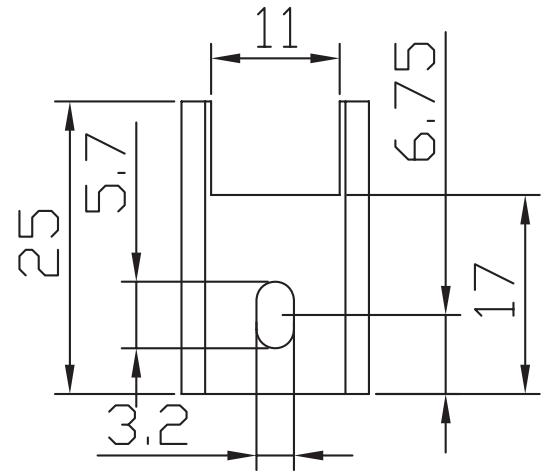
HSE-B2111-038



HSE-B1711-032



HSE-B1711-057



REVISION HISTORY

rev.	description	date
1.0	initial release	05/09/2017
1.01	brand update	02/10/2020
1.02	logo, datasheet style update	08/05/2022
1.03	CUI Devices rebranded to Same Sky	09/12/2024

The revision history provided is for informational purposes only and is believed to be accurate.



Same Sky offers a one (1) year limited warranty. Complete warranty information is listed on our website.

Same Sky reserves the right to make changes to the product at any time without notice. Information provided by Same Sky is believed to be accurate and reliable. However, no responsibility is assumed by Same Sky for its use, nor for any infringements of patents or other rights of third parties which may result from its use.

Same Sky products are not authorized or warranted for use as critical components in equipment that requires an extremely high level of reliability. A critical component is any component of a life support device or system whose failure to perform can be reasonably expected to cause the failure of the life support device or system, or to affect its safety or effectiveness.

[sameskydevices.com](https://www.sameskydevices.com)