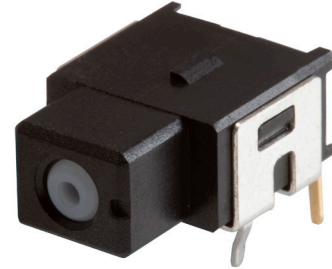




SERIES: MPB02 | DESCRIPTION: MINI PUSH BUTTON SWITCH

FEATURES

- single pole
- right angle
- cap options



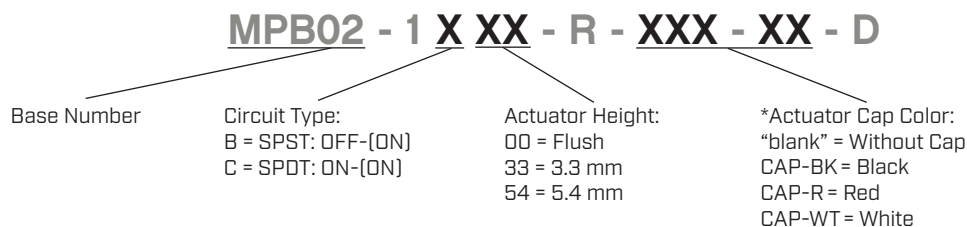
SPECIFICATIONS

parameter	conditions/description	min	typ	max	units
rated voltage				28	Vdc
rated current				14	mA
withstanding voltage	for 1 minute		500		Vac
contact resistance				50	mΩ
insulation resistance	at 500 Vdc	500			MΩ
operating force		150	250	350	gf
actuator travel			1.1		mm
operating temperature		-25		80	°C
life			20,000		cycles
flammability rating	see material table				
RoHS	yes				
packaging	tray QTY: 100 pcs per tray box QTY: 1,200 pcs per box				

SOLDERABILITY

parameter	conditions/description	min	typ	max	units
hand soldering	for maximum 3 seconds			350	°C
wave soldering	for maximum 5 seconds			270	°C

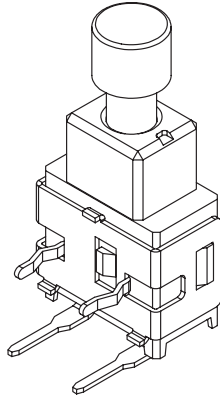
PART NUMBER KEY



Note: *Actuator cap only on 5.4 mm actuator height versions.

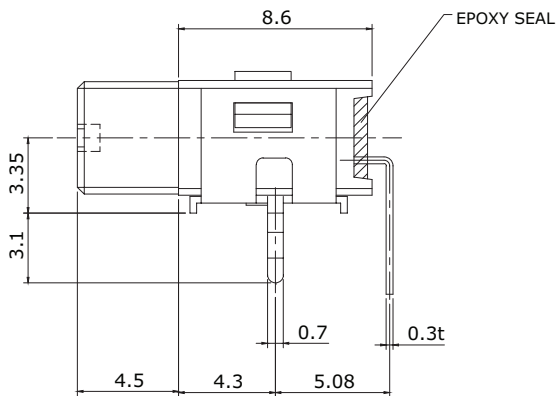
MECHANICAL DRAWING (SPST CIRCUIT)

units: mm
tolerance: ±0.3 mm
unless otherwise noted

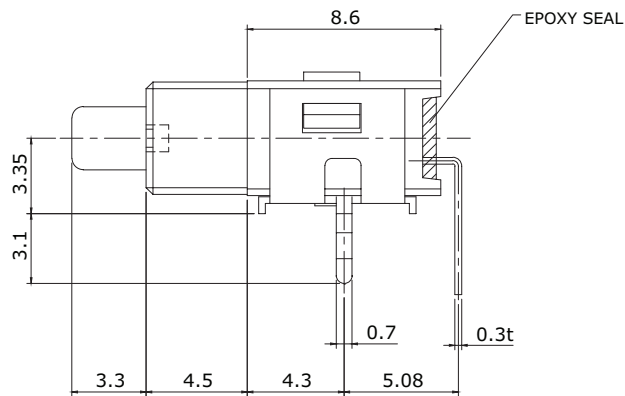


ITEM	DESCRIPTION	MATERIAL	PLATING/COLOR
1	actuator	POM (UL94HB)	white
2	housing	PA66 (UL94V-0)	black
3	terminals	brass	gold
4	bracket	phosphor bronze	tin
5	cap	POM (UL94HB)	black (BK) red (R) white (WT)

FLUSH ACTUATOR

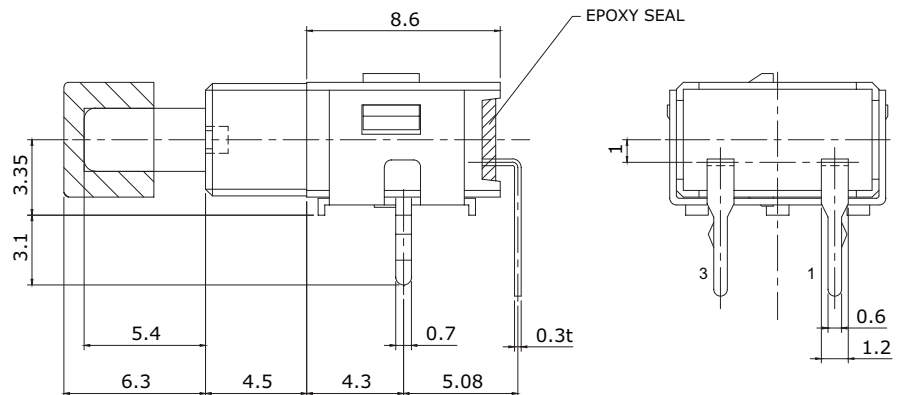
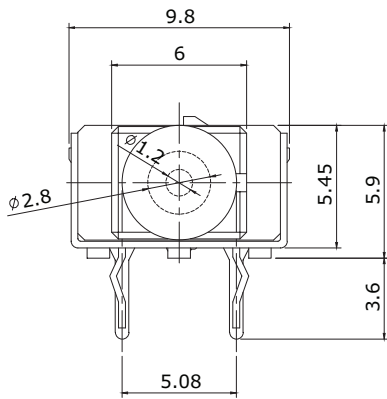


3.3 MM ACTUATOR

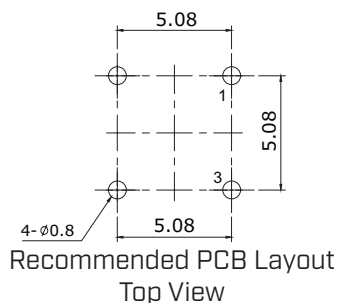
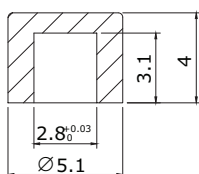


ACTUATOR POSITION []: MOMENTARY	
NORMAL	DOWN
OFF	[ON] 1-3
SCHEMATIC	

5.4 MM ACTUATOR



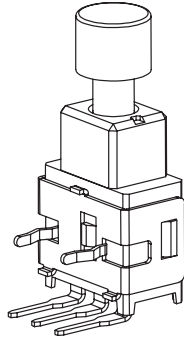
ACTUATOR CAP



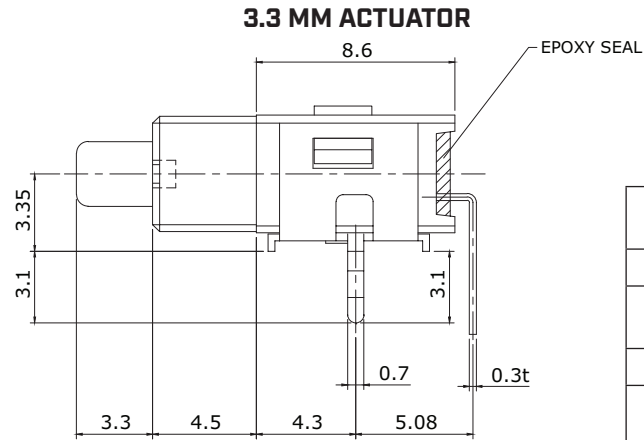
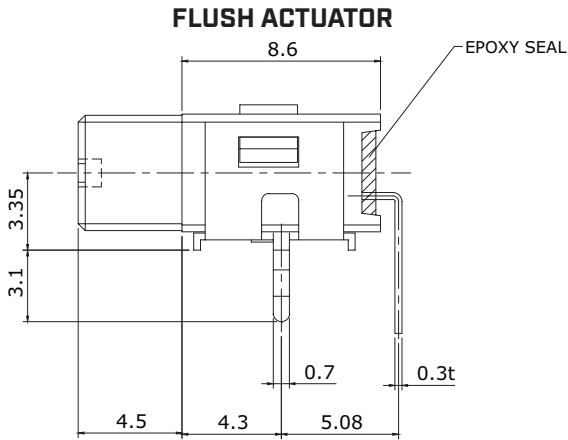
Note: *Actuator cap only on 5.4 mm actuator height versions.

MECHANICAL DRAWING (SPDT CIRCUIT)

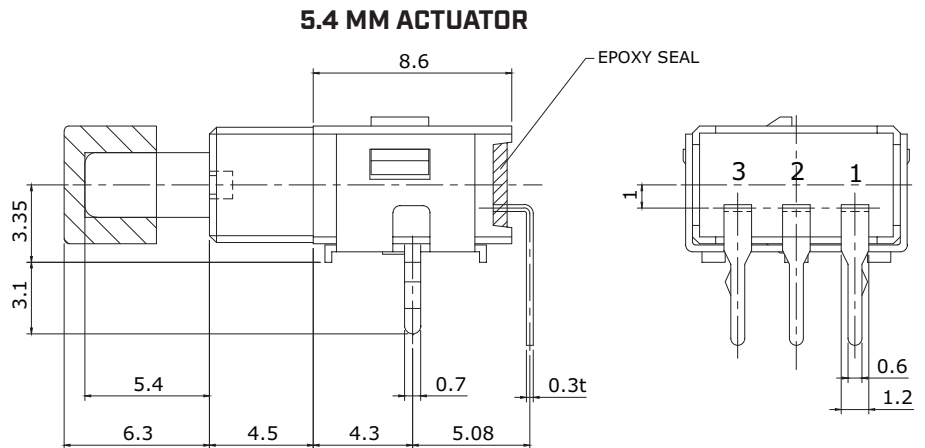
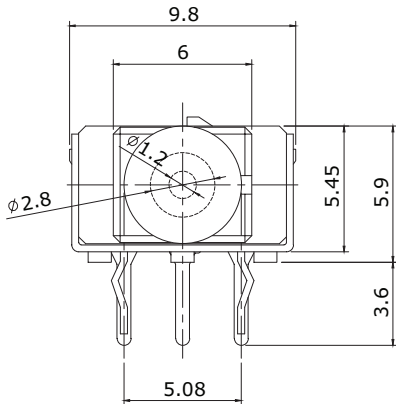
units: mm
tolerance: ±0.3 mm
unless otherwise noted



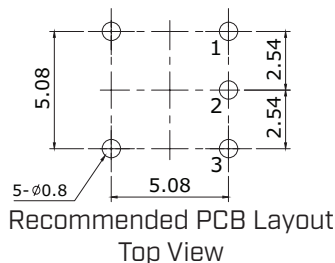
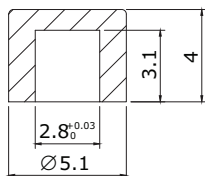
ITEM	DESCRIPTION	MATERIAL	PLATING/COLOR
1	actuator	POM (UL94HB)	white
2	housing	PA66 (UL94V-0)	black
3	terminals	brass	gold
4	bracket	phosphor bronze	tin
5	cap	POM (UL94HB)	black (BK) red (R) white (WT)



ACTUATOR POSITION []: MOMENTARY	
NORMAL	DOWN
ON 2-3	[ON] 2-1
SCHEMATIC	



ACTUATOR CAP



Note: *Actuator cap only on 5.4 mm actuator height versions.

REVISION HISTORY

rev.	description	date
1.0	initial release	06/03/2021
1.01	logo, datasheet style update	08/05/2022
1.02	CUI Devices rebranded to Same Sky	09/12/2024

The revision history provided is for informational purposes only and is believed to be accurate.



Same Sky offers a one (1) year limited warranty. Complete warranty information is listed on our website.

Same Sky reserves the right to make changes to the product at any time without notice. Information provided by Same Sky is believed to be accurate and reliable. However, no responsibility is assumed by Same Sky for its use, nor for any infringements of patents or other rights of third parties which may result from its use.

Same Sky products are not authorized or warranted for use as critical components in equipment that requires an extremely high level of reliability. A critical component is any component of a life support device or system whose failure to perform can be reasonably expected to cause the failure of the life support device or system, or to affect its safety or effectiveness.

[sameskydevices.com](https://www.sameskydevices.com)