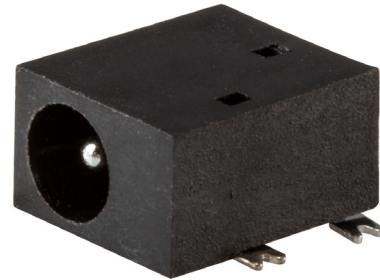




MODEL: PJ-014CH-SMT-TR | **DESCRIPTION:** DC POWER JACK

FEATURES

- low profile
- 3.5 A current rating

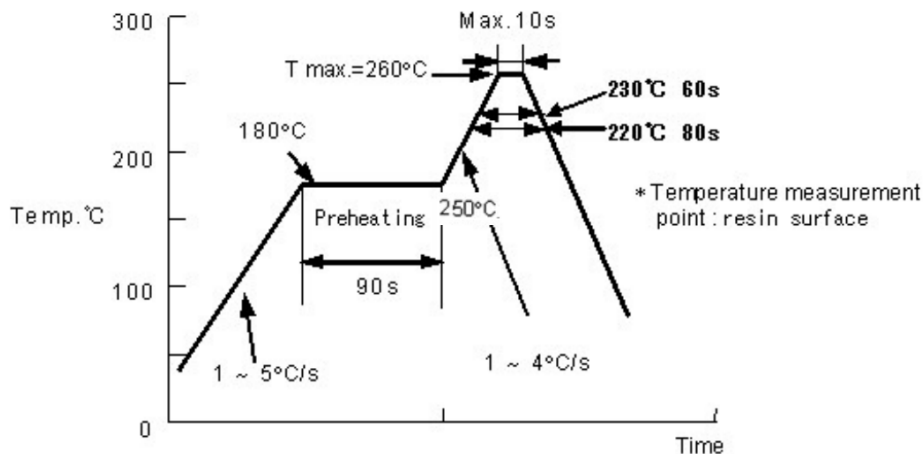


SPECIFICATIONS

parameter	conditions/description	min	typ	max	units
rated input voltage			24		Vdc
rated input current				3.5	A
contact resistance				30	mΩ
insulation resistance	at 500 Vdc	100			MΩ
voltage withstand	for 1 minute			500	Vac
insertion/withdrawal force		0.3		3	kg
operating temperature		-25		80	°C
life			5,000		cycles
flammability rating	UL94V-0				
RoHS	yes				

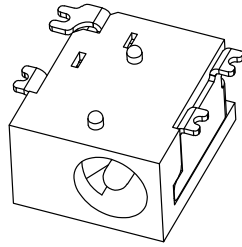
SOLDERABILITY

parameter	conditions/description	min	typ	max	units
reel storage	5~35°C, <75% humidity				°C
reflow soldering	see reflow profile			260	°C
drying conditions	bake at 120°C for 4 hours				

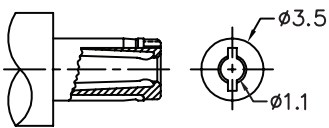
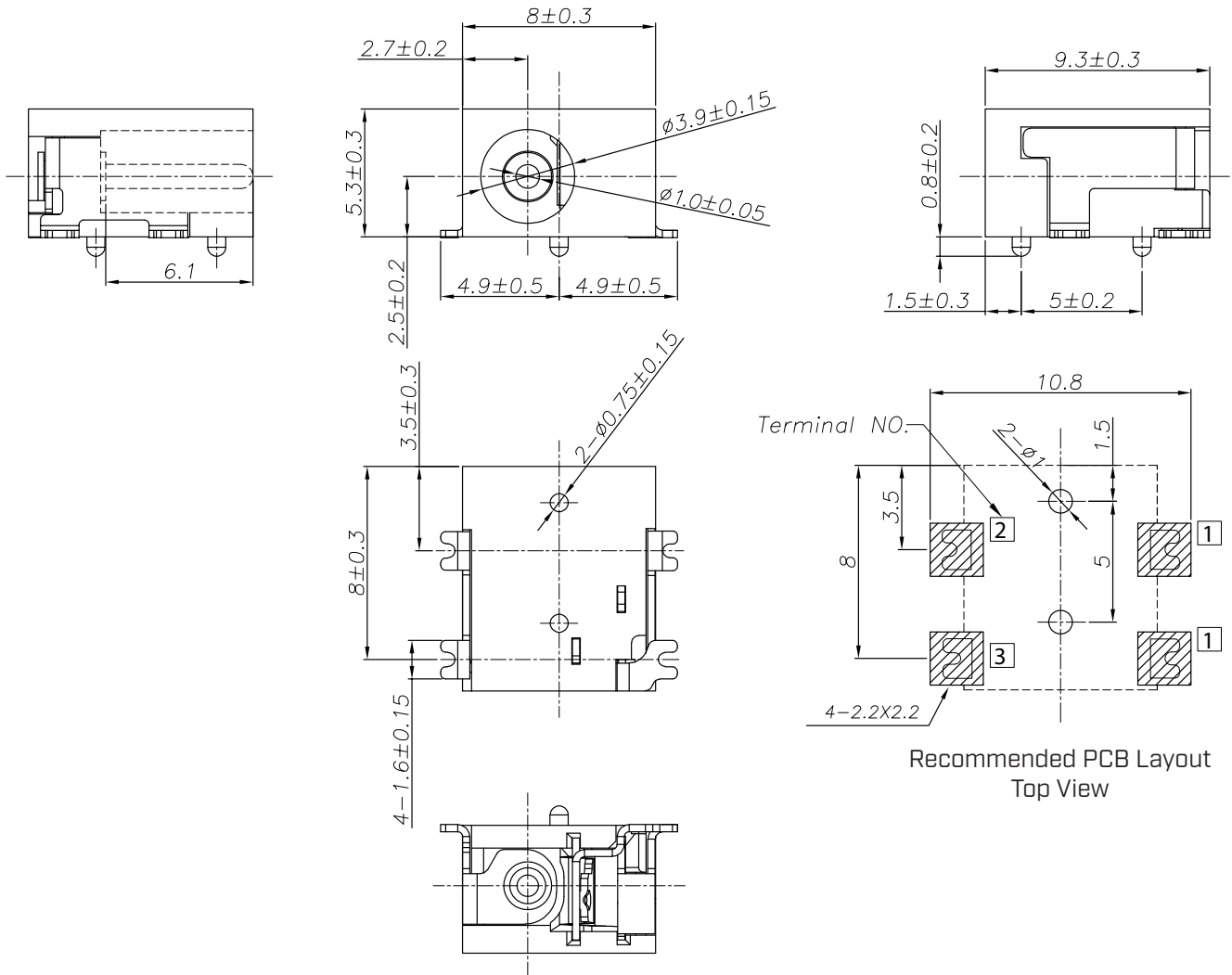


MECHANICAL DRAWING

units: mm
 tolerance: ± 0.30 mm
 PCB: ± 0.05 mm
 unless otherwise specified



DESCRIPTION	MATERIAL	PLATING/COLOR
center pin	brass	CuSn
terminal 1	brass t=0.30	silver
terminal 2	phosphor bronze t=0.30	silver
terminal 3	brass t=0.30	silver
housing	PA10T (UL94V-0)	black



MATING PLUG
 Jack Insertion Depth: 6.1 mm

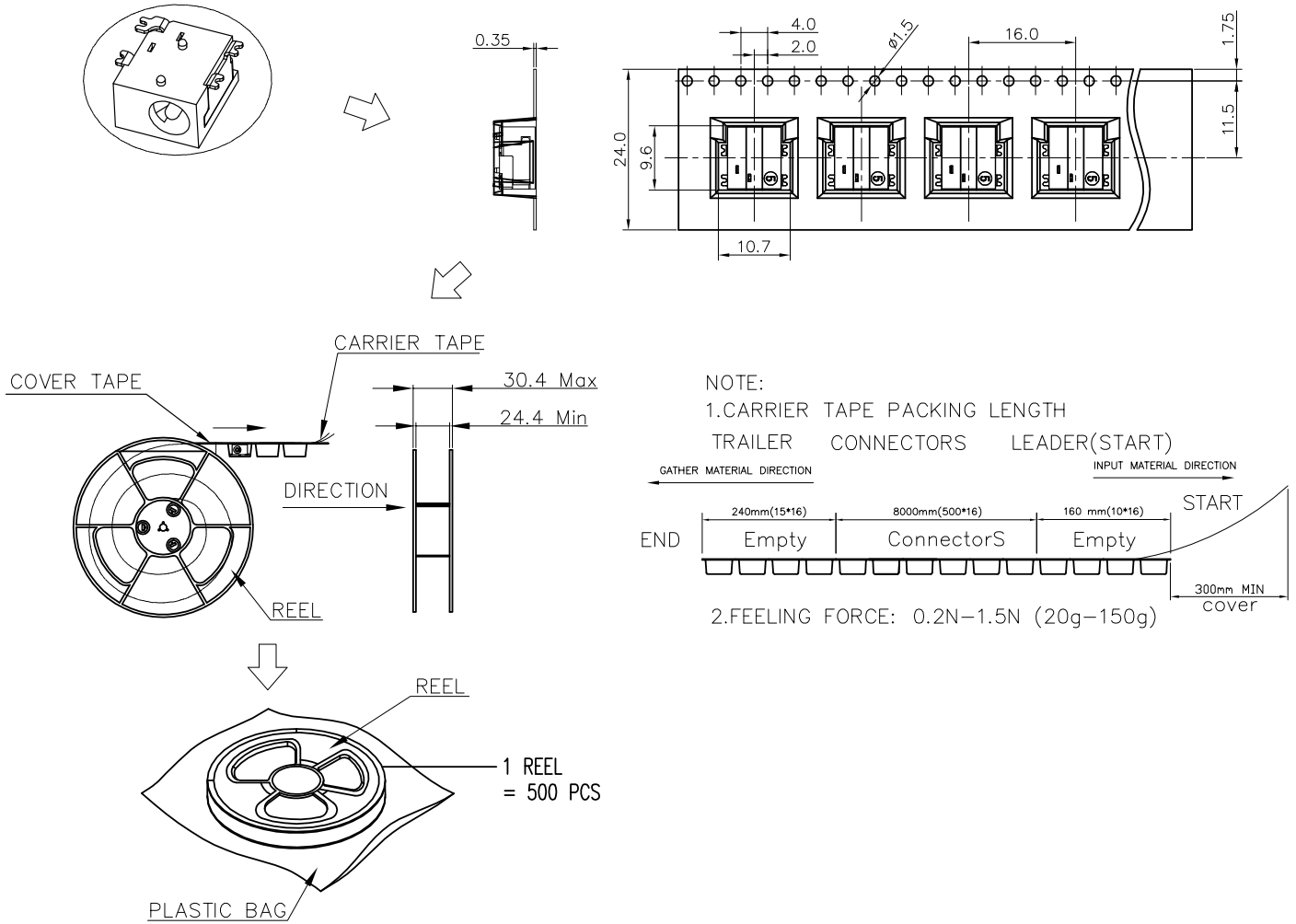
Schematic	1 3 2
Model	PJ-014CH-SMT-TR
Center Pin	$\varnothing 1.0$ mm

PACKAGING

units: mm

Reel Size: $\varnothing 330$ mm

Reel QTY: 500 pcs per reel



REVISION HISTORY

rev.	description	date
1.0	initial release	10/13/2005
1.01	added TR package option	11/07/2012
1.02	updated template	11/19/2012
1.03	increased voltage rating	04/28/2016
1.04	added storage and drying conditions, and tape and reel packaging details	08/30/2017
1.05	brand update	10/23/2019
1.06	logo, datasheet style update	08/05/2022
1.07	product reengineered for improved manufacturability and production yield, see PCN for details	12/19/2022
1.08	product reengineered for improved manufacturability and production yield, see PCN for details	04/17/2024
1.09	CUI Devices rebranded to Same Sky	09/12/2024

The revision history provided is for informational purposes only and is believed to be accurate.



Same Sky offers a one (1) year limited warranty. Complete warranty information is listed on our website.

Same Sky reserves the right to make changes to the product at any time without notice. Information provided by Same Sky is believed to be accurate and reliable. However, no responsibility is assumed by Same Sky for its use, nor for any infringements of patents or other rights of third parties which may result from its use.

Same Sky products are not authorized or warranted for use as critical components in equipment that requires an extremely high level of reliability. A critical component is any component of a life support device or system whose failure to perform can be reasonably expected to cause the failure of the life support device or system, or to affect its safety or effectiveness.

[sameskydevices.com](https://www.sameskydevices.com)