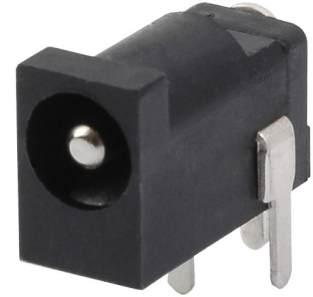


MODEL: PJ-018 | **DESCRIPTION:** DC POWER JACK**FEATURES**

- 1.65 mm center pin
- 2.0 A rating
- right angle orientation
- through hole

**SPECIFICATIONS**

parameter	conditions/description	min	typ	max	units
rated input voltage			24		Vdc
rated input current				2.0	A
contact resistance				30	mΩ
insulation resistance	at 500 Vdc	100			MΩ
voltage withstand	for 1 minute			500	Vac
insertion/withdrawal force		0.3		3	kg
operating temperature		-25		85	°C
life			5,000		cycles
flammability rating	UL94V-0				
RoHS	yes				

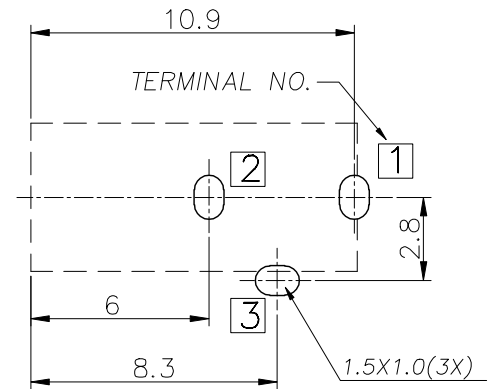
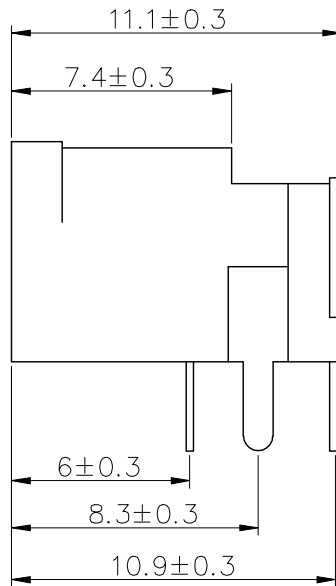
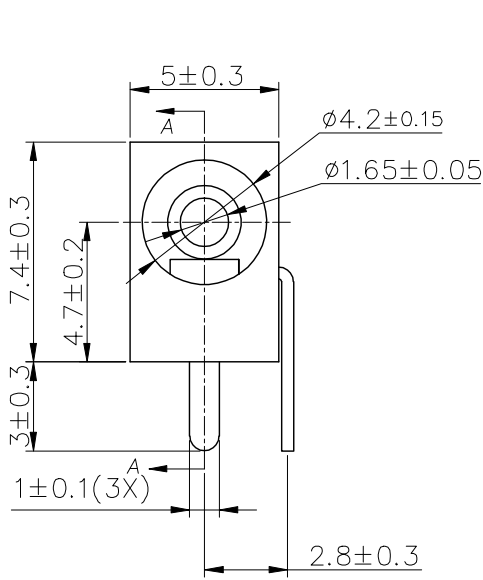
SOLDERABILITY

parameter	conditions/description	min	typ	max	units
wave soldering	dipped in solder pot for 4~6 seconds		250		°C

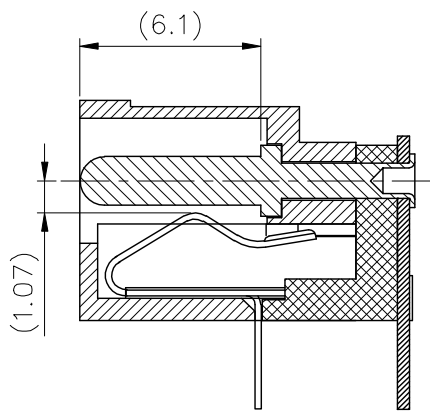
MECHANICAL DRAWING

units: mm
 tolerance: ± 0.30 mm
 PCB: ± 0.05 mm
 unless otherwise specified

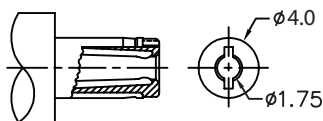
DESCRIPTION	MATERIAL	PLATING/COLOR
center pin	brass	nickel
terminal 1	brass t=0.4	silver
terminal 2	phosphor bronze t=0.25	silver
terminal 3	brass t=0.4	silver
housing	PA10T (UL94V-0)	black
cover	PA10T (UL94V-0)	black



Recommended PCB Layout
Top View



SECTION A-A



MATING PLUG
Jack Insertion Depth: 6.1 mm

Schematic	
Model	PJ-018
Center Pin	$\varnothing 1.65$ mm

REVISION HISTORY

rev.	description	date
1.0	initial release	07/30/2007
1.01	applied new spec template	11/25/2014
1.02	increased voltage rating	04/08/2016
1.03	brand update	10/25/2019
1.04	logo, datasheet style update	08/05/2022
1.05	product reengineered for improved manufacturability and production yield, see PCN for details	05/08/2023
1.06	increased center pin length	07/24/2024
1.07	CUI Devices rebranded to Same Sky	09/12/2024

The revision history provided is for informational purposes only and is believed to be accurate.



Same Sky offers a one (1) year limited warranty. Complete warranty information is listed on our website.

Same Sky reserves the right to make changes to the product at any time without notice. Information provided by Same Sky is believed to be accurate and reliable. However, no responsibility is assumed by Same Sky for its use, nor for any infringements of patents or other rights of third parties which may result from its use.

Same Sky products are not authorized or warranted for use as critical components in equipment that requires an extremely high level of reliability. A critical component is any component of a life support device or system whose failure to perform can be reasonably expected to cause the failure of the life support device or system, or to affect its safety or effectiveness.

[sameskydevices.com](https://www.sameskydevices.com)